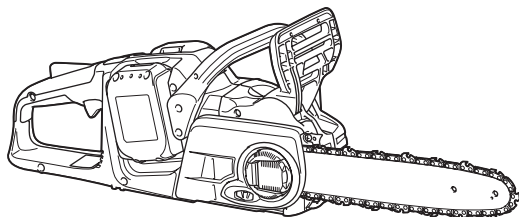


**INSTRUCTION MANUAL
MANUAL DE INSTRUCCIONES**



Cordless Chain Saw Electrosierra Inalámbrica

**XCU03
XCU04**



IMPORTANT: Read Before Using.
IMPORTANTE: Lea antes de usar.

SPECIFICATIONS

Model:		XCU03	XCU04
Overall length (without guide bar)		443 mm (17-1/2")	
Rated voltage		D.C. 36 V	
Standard battery cartridge		BL1815N, BL1820B, BL1830, BL1830B, BL1840B, BL1850B, BL1860B	
Net weight (when using BL1815N)	with 90PX	4.7 kg (10.4 lbs)	4.8 kg (10.6 lbs)
	with 91PX	4.8 kg (10.6 lbs)	4.9 kg (10.7 lbs)
Standard guide bar length		350 mm (14")	400 mm (16")
Recommended guide bar length		300 - 400 mm (12 - 16")	
Applicable saw chain type (refer to the table below)		90PX 91PX	
Sprocket	Number of teeth	6	
	Pitch	3/8"	
Chain speed		0 - 20 m/s (0 - 1,200 m/min) (0 - 3,940 ft/min)	
Chain oil tank volume		200 cm ³	

Saw chain and guide bar

Saw chain type		90PX		
Number of drive links		46	52	56
Guide bar	Guide bar length	300 mm (12")	350 mm (14")	400 mm (16")
	Cutting length	280 mm (11")	330 mm (13")	375 mm (14-3/4")
	Part No.	165245-8	165246-6	165247-4
	Pitch	3/8"		
	Gauge	1.1 mm (0.043")		
	Type	Sprocket nose bar		

Saw chain type		91PX		
Number of drive links		46	52	56
Guide bar	Guide bar length	300 mm (12")	350 mm (14")	400 mm (16")
	Cutting length	280 mm (11")	330 mm (13")	375 mm (14-3/4")
	Part No.	165200-0	165201-8	165202-6
	Pitch	3/8"		
	Gauge	1.3 mm (0.050")		
	Type	Sprocket nose bar		

- Due to our continuing program of research and development, the specifications herein are subject to change without notice.
- Specifications and battery cartridge may differ from country to country.
- Weight, with battery cartridge, according to EPTA-Procedure 01/2003

⚠ WARNING: Use appropriate combination of the guide bar and saw chain. Otherwise personal injury may result.

SAFETY WARNINGS

General power tool safety warnings

⚠ WARNING: Read all safety warnings and all instructions. Failure to follow the warnings and instructions may result in electric shock, fire and/or serious injury.

Save all warnings and instructions for future reference.

The term "power tool" in the warnings refers to your mains-operated (corded) power tool or battery-operated (cordless) power tool.

Work area safety

1. **Keep work area clean and well lit.** Cluttered or dark areas invite accidents.
2. **Do not operate power tools in explosive atmospheres, such as in the presence of flammable liquids, gases or dust.** Power tools create sparks which may ignite the dust or fumes.
3. **Keep children and bystanders away while operating a power tool.** Distractions can cause you to lose control.

Electrical Safety

1. **Power tool plugs must match the outlet. Never modify the plug in any way. Do not use any adapter plugs with earthed (grounded) power tools.** Unmodified plugs and matching outlets will reduce risk of electric shock.
2. **Avoid body contact with earthed or grounded surfaces, such as pipes, radiators, ranges and refrigerators.** There is an increased risk of electric shock if your body is earthed or grounded.
3. **Do not expose power tools to rain or wet conditions.** Water entering a power tool will increase the risk of electric shock.
4. **Do not abuse the cord. Never use the cord for carrying, pulling or unplugging the power tool. Keep cord away from heat, oil, sharp edges or moving parts.** Damaged or entangled cords increase the risk of electric shock.
5. **When operating a power tool outdoors, use an extension cord suitable for outdoor use.** Use of a cord suitable for outdoor use reduces the risk of electric shock.
6. **If operating a power tool in a damp location is unavoidable, use a ground fault circuit interrupter (GFCI) protected supply.** Use of a GFCI reduces the risk of electric shock.

Personal Safety

1. **Stay alert, watch what you are doing and use common sense when operating a power tool. Do not use a power tool while you are tired or under the influence of drugs, alcohol or medication.** A moment of inattention while operating power tools may result in serious personal injury.
2. **Use personal protective equipment. Always wear eye protection.** Protective equipment such as a dust mask, non-skid safety shoes, hard hat or hearing protection used for appropriate conditions will reduce personal injuries.

3. **Prevent unintentional starting. Ensure the switch is in the off-position before connecting to power source and/or battery pack, picking up or carrying the tool.** Carrying power tools with your finger on the switch or energising power tools that have the switch on invites accidents.
4. **Remove any adjusting key or wrench before turning the power tool on.** A wrench or a key left attached to a rotating part of the power tool may result in personal injury.
5. **Do not overreach. Keep proper footing and balance at all times.** This enables better control of the power tool in unexpected situations.
6. **Dress properly. Do not wear loose clothing or jewellery. Keep your hair, clothing, and gloves away from moving parts.** Loose clothes, jewellery or long hair can be caught in moving parts.
7. **If devices are provided for the connection of dust extraction and collection facilities, ensure these are connected and properly used.** Use of dust collection can reduce dust-related hazards.

Power tool use and care

1. **Do not force the power tool. Use the correct power tool for your application.** The correct power tool will do the job better and safer at the rate for which it was designed.
2. **Do not use the power tool if the switch does not turn it on and off.** Any power tool that cannot be controlled with the switch is dangerous and must be repaired.
3. **Disconnect the plug from the power source and/or the battery pack from the power tool before making any adjustments, changing accessories, or storing power tools.** Such preventive safety measures reduce the risk of starting the power tool accidentally.
4. **Store idle power tools out of the reach of children and do not allow persons unfamiliar with the power tool or these instructions to operate the power tool.** Power tools are dangerous in the hands of untrained users.
5. **Maintain power tools. Check for misalignment or binding of moving parts, breakage of parts and any other condition that may affect the power tool's operation. If damaged, have the power tool repaired before use.** Many accidents are caused by poorly maintained power tools.
6. **Keep cutting tools sharp and clean.** Properly maintained cutting tools with sharp cutting edges are less likely to bind and are easier to control.
7. **Use the power tool, accessories and tool bits etc. in accordance with these instructions, taking into account the working conditions and the work to be performed.** Use of the power tool for operations different from those intended could result in a hazardous situation.

Battery tool use and care

1. **Recharge only with the charger specified by the manufacturer.** A charger that is suitable for one type of battery pack may create a risk of fire when used with another battery pack.
2. **Use power tools only with specifically designed battery packs.** Use of any other battery packs may create a risk of injury and fire.

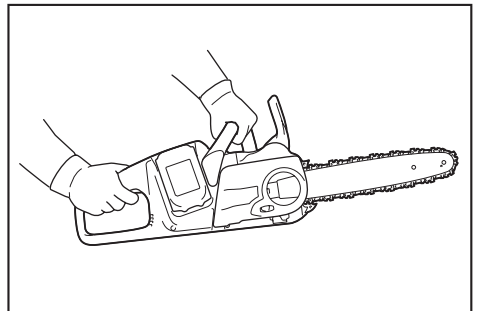
3. **When battery pack is not in use, keep it away from other metal objects, like paper clips, coins, keys, nails, screws or other small metal objects, that can make a connection from one terminal to another.** Shorting the battery terminals together may cause burns or a fire.
4. **Under abusive conditions, liquid may be ejected from the battery; avoid contact. If contact accidentally occurs, flush with water. If liquid contacts eyes, additionally seek medical help.** Liquid ejected from the battery may cause irritation or burns.
9. **Carry the chain saw by the front handle with the chain saw switched off and away from your body. When transporting or storing the chain saw always fit the guide bar cover.** Proper handling of the chain saw will reduce the likelihood of accidental contact with the moving saw chain.
10. **Follow instructions for lubricating, chain tensioning and changing accessories.** Improperly tensioned or lubricated chain may either break or increase the chance for kickback.
11. **Keep handles dry, clean, and free from oil and grease.** Greasy, oily handles are slippery causing loss of control.

Service

1. **Have your power tool serviced by a qualified repair person using only identical replacement parts.** This will ensure that the safety of the power tool is maintained.
2. **Follow instruction for lubricating and changing accessories.**
3. **Keep handles dry, clean and free from oil and grease.**
12. **Cut wood only. Do not use chain saw for purposes not intended.** For example: do not use chain saw for cutting plastic, masonry or non-wood building materials. Use of the chain saw for operations different than intended could result in a hazardous situation.
13. **Causes and operator prevention of kickback:** Kickback may occur when the nose or tip of the guide bar touches an object, or when the wood closes in and pinches the saw chain in the cut. Tip contact in some cases may cause a sudden reverse reaction, kicking the guide bar up and back towards the operator. Pinching the saw chain along the top of the guide bar may push the guide bar rapidly back towards the operator. Either of these reactions may cause you to lose control of the saw which could result in serious personal injury. Do not rely exclusively upon the safety devices built into your saw. As a chain saw user, you should take several steps to keep your cutting jobs free from accident or injury. Kickback is the result of tool misuse and/or incorrect operating procedures or conditions and can be avoided by taking proper precautions as given below:
 - Maintain a firm grip, with thumbs and fingers encircling the chain saw handles, with both hands on the saw and position your body and arm to allow you to resist kickback forces. Kickback forces can be controlled by the operator, if proper precautions are taken. Do not let go of the chain saw.

Cordless Chain saw safety warnings

1. **Keep all parts of the body away from the saw chain when the chain saw is operating. Before you start the chain saw, make sure the saw chain is not contacting anything.** A moment of inattention while operating chain saws may cause entanglement of your clothing or body with the saw chain.
2. **Always hold the chain saw with your right hand on the rear handle and your left hand on the front handle.** Holding the chain saw with a reversed hand configuration increases the risk of personal injury and should never be done.
3. **Hold the power tool by insulated gripping surfaces only, because the saw chain may contact hidden wiring.** Saw chains contacting a "live" wire may make exposed metal parts of the power tool "live" and could give the operator an electric shock.
4. **Wear safety glasses and hearing protection.** Further protective equipment for head, hands, legs and feet is recommended. Adequate protective clothing will reduce personal injury by flying debris or accidental contact with the saw chain.
5. **Do not operate a chain saw in a tree.** Operation of a chain saw while up in a tree may result in personal injury.
6. **Always keep proper footing and operate the chain saw only when standing on fixed, secure and level surface.** Slippery or unstable surfaces such as ladders may cause a loss of balance or control of the chain saw.
7. **When cutting a limb that is under tension be alert for spring back.** When the tension in the wood fibres is released the spring loaded limb may strike the operator and/or throw the chain saw out of control.
8. **Use extreme caution when cutting brush and saplings.** The slender material may catch the saw chain and be whipped toward you or pull you off balance.



- Do not overreach and do not cut above shoulder height. This helps prevent unintended tip contact and enables better control of the chain saw in unexpected situations.

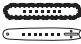
- Only use replacement bars and chains specified by the manufacturer. Incorrect replacement bars and chains may cause chain breakage and/or kickback.
 - Follow the manufacturer's sharpening and maintenance instructions for the saw chain. Decreasing the depth gauge height can lead to increased kickback.
14. **Before starting work, check that the chain saw is in proper working order and that its condition complies with the safety regulations. Check in particular that:**
 - The chain brake is working properly;
 - The run-down brake is working properly;
 - The bar and the sprocket cover are fitted correctly;
 - The chain has been sharpened and tensioned in accordance with the regulations.
 15. **Do not start the chain saw with the chain cover being installed on it.** Starting the chain saw with the chain cover being installed on it may cause the chain cover to be thrown out forward resulting in personal injury and damage to objects around the operator.

SAVE THESE INSTRUCTIONS.

⚠WARNING: DO NOT let comfort or familiarity with product (gained from repeated use) replace strict adherence to safety rules for the subject product. MISUSE or failure to follow the safety rules stated in this instruction manual may cause serious personal injury.

Symbols

The followings show the symbols used for tool.

V	volts
— — —	direct current
ft/min	feet per minute
	parts number of applicable saw chain and guide bar

Important safety instructions for battery cartridge

1. **Before using battery cartridge, read all instructions and cautionary markings on (1) battery charger, (2) battery, and (3) product using battery.**
 2. **Do not disassemble battery cartridge.**
 3. **If operating time has become excessively shorter, stop operating immediately. It may result in a risk of overheating, possible burns and even an explosion.**
 4. **If electrolyte gets into your eyes, rinse them out with clear water and seek medical attention right away. It may result in loss of your eyesight.**
5. **Do not short the battery cartridge:**
 - (1) **Do not touch the terminals with any conductive material.**
 - (2) **Avoid storing battery cartridge in a container with other metal objects such as nails, coins, etc.**
 - (3) **Do not expose battery cartridge to water or rain.**

A battery short can cause a large current flow, overheating, possible burns and even a breakdown.
 6. **Do not store the tool and battery cartridge in locations where the temperature may reach or exceed 50 °C (122 °F).**
 7. **Do not incinerate the battery cartridge even if it is severely damaged or is completely worn out. The battery cartridge can explode in a fire.**
 8. **Be careful not to drop or strike battery.**
 9. **Do not use a damaged battery.**
 10. **The contained lithium-ion batteries are subject to the Dangerous Goods Legislation requirements.**

For commercial transports e.g. by third parties, forwarding agents, special requirement on packaging and labeling must be observed. For preparation of the item being shipped, consulting an expert for hazardous material is required. Please also observe possibly more detailed national regulations.

Tape or mask off open contacts and pack up the battery in such a manner that it cannot move around in the packaging.
 11. **Follow your local regulations relating to disposal of battery.**

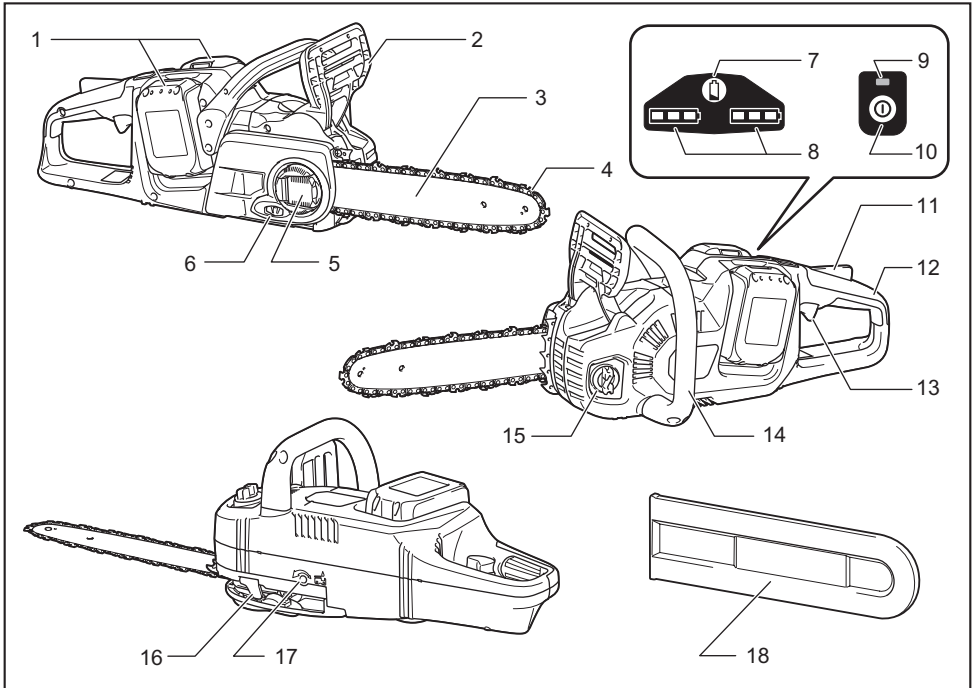
SAVE THESE INSTRUCTIONS.

⚠CAUTION: Only use genuine Makita batteries. Use of non-genuine Makita batteries, or batteries that have been altered, may result in the battery bursting causing fires, personal injury and damage. It will also void the Makita warranty for the Makita tool and charger.

Tips for maintaining maximum battery life

1. **Charge the battery cartridge before completely discharged. Always stop tool operation and charge the battery cartridge when you notice less tool power.**
2. **Never recharge a fully charged battery cartridge. Overcharging shortens the battery service life.**
3. **Charge the battery cartridge with room temperature at 10 °C - 40 °C (50 °F - 104 °F). Let a hot battery cartridge cool down before charging it.**
4. **Charge the battery cartridge if you do not use it for a long period (more than six months).**

PARTS DESCRIPTION



1	Battery cartridge	2	Front hand guard	3	Guide bar
4	Saw chain	5	Lever	6	Adjusting dial
7	Check button	8	Capacity indicator	9	Main power lamp
10	Main power switch	11	Lock-off lever	12	Rear handle
13	Switch trigger	14	Front handle	15	Oil tank cap
16	Chain catcher	17	Adjusting screw (for oil pump)	18	Guide bar cover

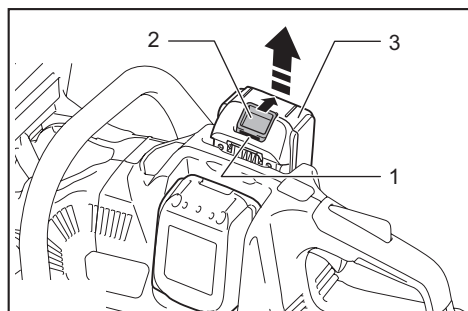
FUNCTIONAL DESCRIPTION

CAUTION: Always be sure that the tool is switched off and the battery cartridge is removed before adjusting or checking function on the tool.

Installing or removing battery cartridge

CAUTION: Always switch off the tool before installing or removing of the battery cartridge.

CAUTION: Hold the tool and the battery cartridge firmly when installing or removing battery cartridge. Failure to hold the tool and the battery cartridge firmly may cause them to slip off your hands and result in damage to the tool and battery cartridge and a personal injury.



► 1. Red indicator 2. Button 3. Battery cartridge

To remove the battery cartridge, slide it from the tool while sliding the button on the front of the cartridge.

To install the battery cartridge, align the tongue on the battery cartridge with the groove in the housing and slip it into place. Insert it all the way until it locks in place with a little click. If you can see the red indicator on the upper side of the button, it is not locked completely.

CAUTION: Always install the battery cartridge fully until the red indicator cannot be seen. If not, it may accidentally fall out of the tool, causing injury to you or someone around you.

CAUTION: Do not install the battery cartridge forcibly. If the cartridge does not slide in easily, it is not being inserted correctly.

NOTE: The tool does not work with only one battery cartridge.

NOTE: Pay attention to the position of your fingers when installing the battery. The button will be depressed unintentionally.

Tool / battery protection system





The tool is equipped with a tool/battery protection system. This system automatically cuts off power to the motor to extend tool and battery life. The tool will automatically stop during operation if the tool or battery is placed under one of the following conditions.

Overload protection

When the tool is operated in a manner that causes it to draw an abnormally high current, the tool automatically stops and the main power lamp will blink. In this situation, turn the tool off and stop the application that caused the tool to become overloaded. Then turn the tool on to restart.

Overheat protection

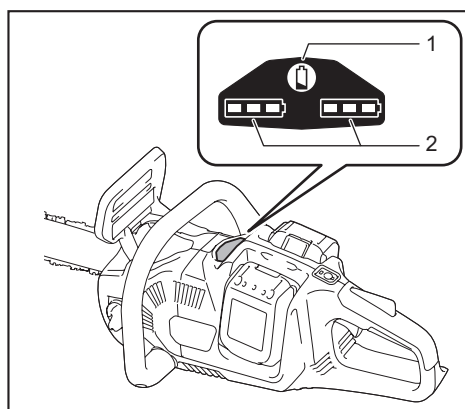
When the tool is overheated, the tool automatically stops and the capacity indicator lamp will blink as illustrated. In this situation, let the tool cool down before turning the tool on again.

Capacity indicator status			Status
 On	 Off	 Blinking	
			Overheated.

Overdischarge protection

When the battery capacity becomes low, the tool stops automatically. If the product does not operate even when the switches are operated, remove the batteries from the tool and charge the batteries.

Indicating the remaining battery capacity



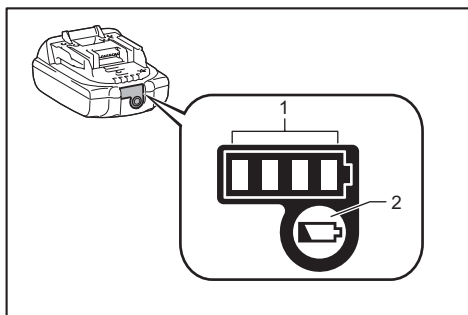
► 1. Check button 2. Capacity indicator

The remaining battery capacity is shown while you are pressing the check button. The capacity indicators correspond to each battery.

Capacity indicator status			Remaining battery capacity
On	Off	Blinking	
			50% to 100%
			20% to 50%
			0% to 20%
			Charge the battery

Indicating the remaining battery capacity

Only for battery cartridges with the indicator



► 1. Indicator lamps 2. Check button

Press the check button on the battery cartridge to indicate the remaining battery capacity. The indicator lamps light up for few seconds.

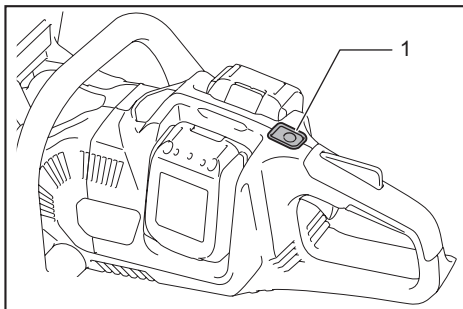
Indicator lamps			Remaining capacity
Lighted	Off	Blinking	
			75% to 100%
			50% to 75%
			25% to 50%
			0% to 25%
			Charge the battery.
			The battery may have malfunctioned.

NOTE: Depending on the conditions of use and the ambient temperature, the indication may differ slightly from the actual capacity.

Main power switch

⚠WARNING: Always turn off the main power switch when not in use.

To stand by the chain saw, press the main power switch until the main power lamp lights up. To turn off, press the main power switch again.



► 1. Main power switch

NOTE: The main power lamp blinks if the switch trigger is pulled under unoperable conditions. The lamp blinks if you

- turn on the main power switch while holding down the lock-off lever and the switch trigger;
- pull the switch trigger while the chain brake is applied;
- release the chain brake while holding down the lock-off lever and pulling the switch trigger.

NOTE: This chain saw employs the auto power-off function. To avoid unintentional start up, the main power switch will automatically shut down when the switch trigger is not pulled for a certain period after the main power switch is turned on.

Switch action

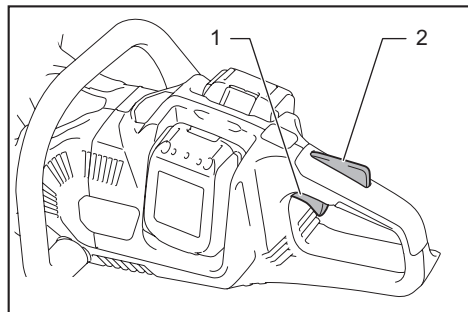
⚠WARNING: For your safety, this tool is equipped with lock-off lever which prevents the tool from unintended starting. **NEVER** use the tool if it runs when you simply pull the switch trigger without pressing the lock-off lever. Return the tool to our authorized service center for proper repairs **BEFORE** further usage.

⚠WARNING: **NEVER** tape down or defeat purpose and function of lock-off lever.

⚠CAUTION: Before installing the battery cartridge into the tool, always check to see that the switch trigger actuates properly and returns to the "OFF" position when released.

NOTICE: Do not pull the switch trigger hard without pressing the lock-off lever. This can cause switch breakage.

To prevent the switch trigger from being accidentally pulled, a lock-off lever is provided. To start the tool, depress the lock-off lever and pull the switch trigger. Release the switch trigger to stop.



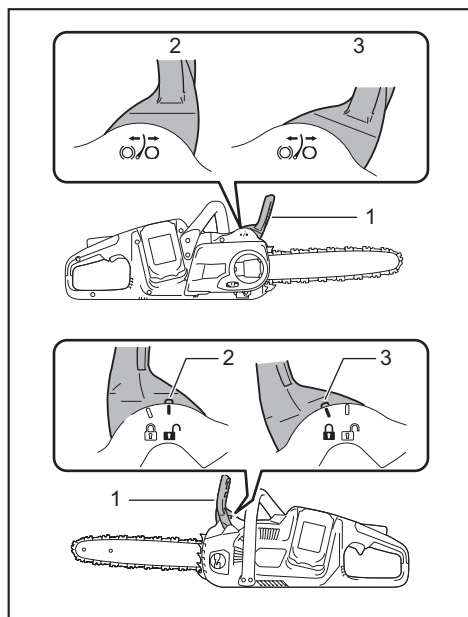
► 1. Switch trigger 2. Lock-off lever

Checking the chain brake

CAUTION: Hold the chain saw with both hands when switching it on. Hold the rear handle with your right hand, the front handle with your left. The bar and the chain must not be in contact with any object.

CAUTION: Should the saw chain not stop immediately when this test is performed, the saw may not be used under any circumstances. Consult our authorized service center.

1. Press the lock-off lever, then pull the switch trigger. The saw chain starts immediately.
2. Push the front hand guard forwards with the back of your hand. Make sure that the chain saw comes to an immediate standstill.



► 1. Front hand guard 2. Unlocked position 3. Locked position

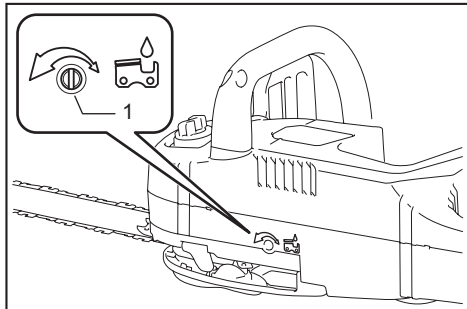
Checking the run-down brake

CAUTION: If the saw chain does not stop within one second in this test, stop using the chain saw and consult our authorized service center.

Run the chain saw then release the switch trigger completely. The saw chain must come to a standstill within one second.

Adjusting the chain lubrication

You can adjust the oil pump feed rate with the adjusting screw. The amount of oil can be adjusted using the universal wrench.



► 1. Adjusting screw

ASSEMBLY

CAUTION: Always be sure that the tool is switched off and the battery cartridge is removed before carrying out any work on the tool.

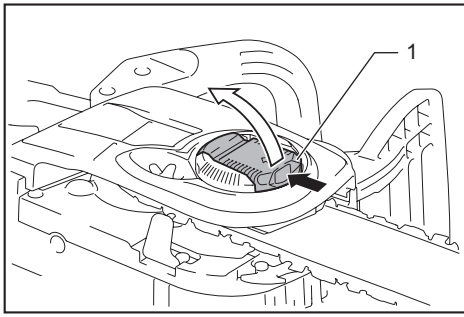
CAUTION: Do not touch the saw chain with bare hands. Always wear gloves when handling the saw chain.

Removing or installing saw chain

CAUTION: The saw chain and the guide bar are still hot just after the operation. Let them cool down enough before carrying out any work on the tool.

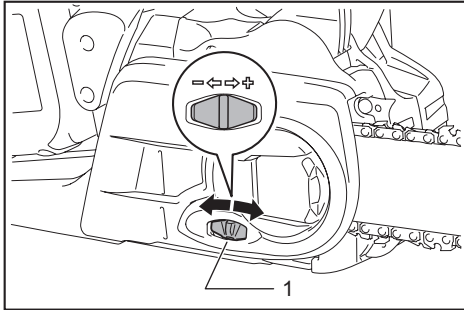
To remove the saw chain, perform the following steps:

1. Pull the lever up while pressing its edge.



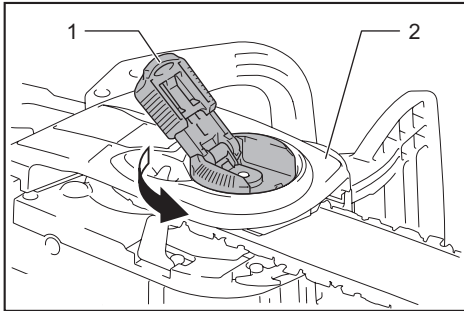
► 1. Lever

- Turn the adjusting dial to "-" direction to release the saw chain tension.



► 1. Adjusting dial

- Turn the lever counterclockwise until the sprocket cover comes off.

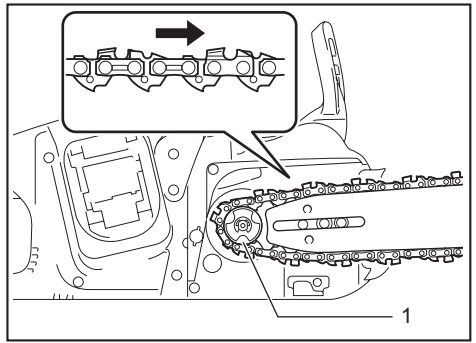


► 1. Lever 2. Sprocket cover

- Remove the sprocket cover then remove the saw chain and guide bar from the chain saw body.

To install the saw chain, perform the following steps:

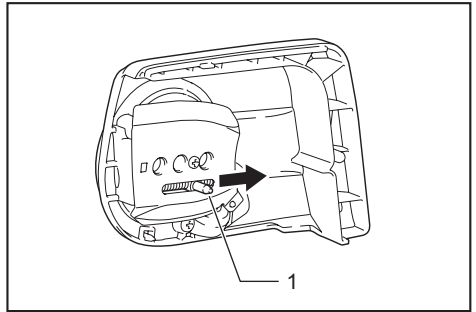
- Make sure the direction of the chain. The arrow mark on the chain shows the direction of the chain.
- Fit in one end of the saw chain on the top of the guide bar and the other end around the sprocket.



► 1. Sprocket

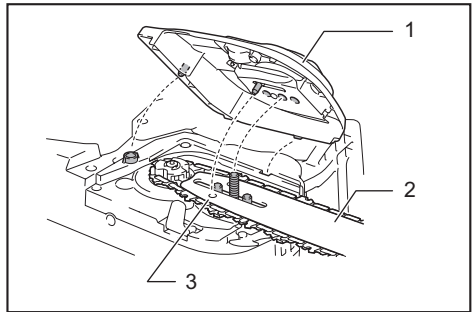
- Rest the guide bar in place on the chain saw.

- Turn the adjusting dial to "-" direction to slide the adjusting pin in the direction of arrow.



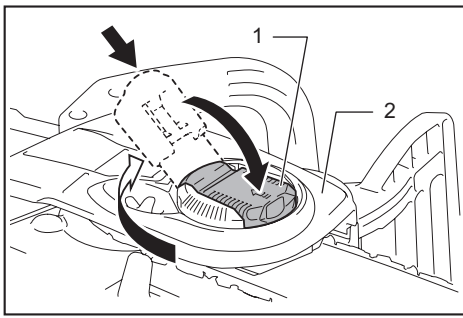
► 1. Adjusting pin

- Place the sprocket cover on the chain saw so that the adjusting pin is positioned in a small hole on the guide bar.

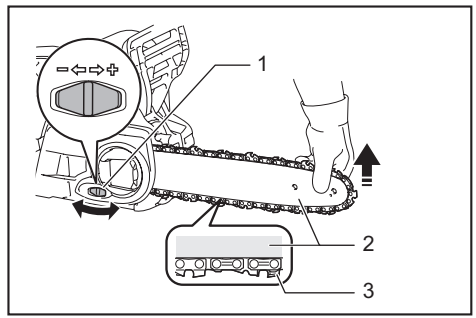


► 1. Sprocket cover 2. Guide bar 3. Hole

- Turn the lever clockwise fully and a quarter turn back to keep looseness for adjusting the chain tension.
- Turn the adjusting dial to adjust the chain tension.
- Turn the lever clockwise until the sprocket cover is secured then return it to the original position.



► 1. Lever 2. Sprocket cover



► 1. Adjusting dial 2. Guide bar 3. Saw chain

Adjusting saw chain tension

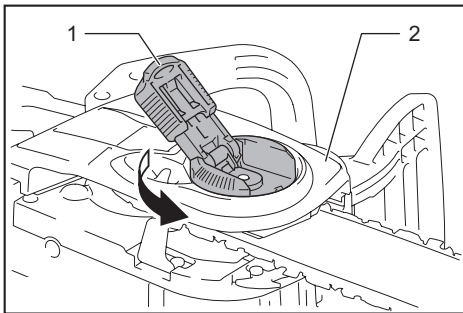
⚠ CAUTION: Carry out the procedure of installing or removing saw chain in a clean place free from sawdust and the like.

⚠ CAUTION: Do not tighten the saw chain too much. Excessively high tension of saw chain may cause breakage of saw chain, wear of the guide bar and breakage of the adjusting dial.

⚠ CAUTION: A chain which is too loose can jump off the bar and it may cause an injury accident.

The saw chain may become loose after many hours of use. From time to time check the saw chain tension before use.

1. Press and fully open the lever until it clicks. Turn it counterclockwise a little to loosen sprocket cover lightly.

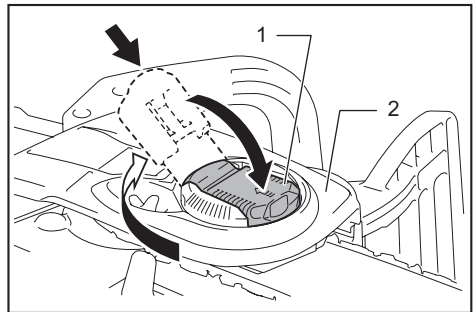


► 1. Lever 2. Sprocket cover

2. Lift up the guide bar tip slightly and adjust the chain tension. Turn the adjusting dial to the "-" direction to loosen, turn to the "+" direction to tighten. Tighten the saw chain until the lower side of the saw chain fits in the guide bar rail as illustrated.

3. Keep holding the guide bar lightly and tighten the sprocket cover. Make sure that the saw chain does not loose at the lower side.

4. Return the lever to the original position.



► 1. Lever 2. Sprocket cover

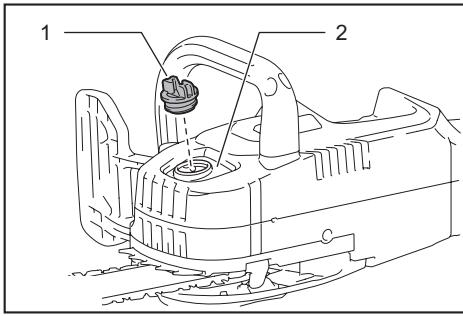
Make sure the saw chain fits snugly against the lower side of the bar.

OPERATION

Lubrication

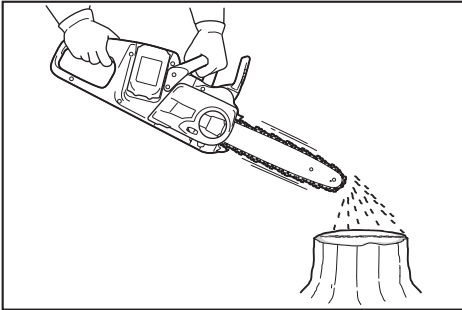
Saw chain is automatically lubricated when the tool is in operation. Check the amount of remaining oil in the oil tank periodically.

To refill the tank, lay the chain saw on its side and remove the oil tank cap. The proper amount of oil is 200 ml. After refilling the tank, make sure that the oil tank cap is tightened securely.



► 1. Oil tank cap 2. Oil tank (translucent)

After refilling, hold the chain saw away from the tree. Start it and wait until lubrication on saw chain is adequate.



NOTICE: When filling the chain oil for the first time, or refilling the tank after it has been completely emptied, add oil up to the bottom edge of the filler neck. The oil delivery may otherwise be impaired.

NOTICE: Use the saw chain oil exclusively for Makita chain saws or equivalent oil available in the market.

NOTICE: Never use oil including dust and particles or volatile oil.

NOTICE: When pruning trees, use botanical oil. Mineral oil may harm trees.

NOTICE: Before the cutting operation, make sure that the provided oil tank cap is screwed in place.

WORKING WITH THE CHAIN SAW

CAUTION: The first time user should, as a minimum practice, do cutting logs on a saw-horse or cradle.

CAUTION: When sawing precut timber, use a safe support (saw horse or cradle). Do not steady the workpiece with your foot, and do not allow anyone else to hold or steady it.

CAUTION: Secure round pieces against rotation.

CAUTION: Keep all parts of the body away from the saw chain when the motor is operating.

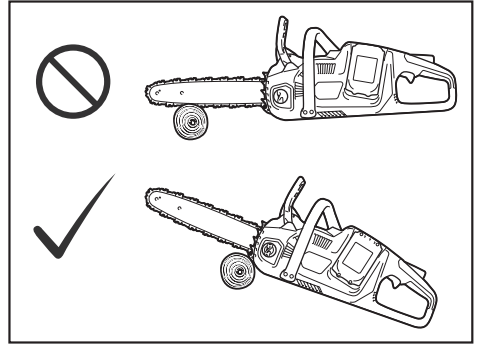
CAUTION: Hold the chain saw firmly with both hands when the motor is running.

CAUTION: Do not overreach. Keep proper footing and balance at all times.

NOTICE: Never toss or drop the tool.

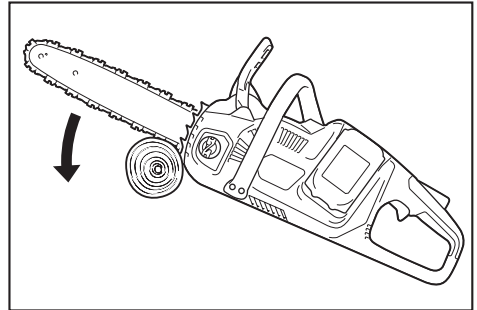
NOTICE: Do not cover the vents of the tool.

Bring the bottom edge of the chain saw body into contact with the branch to be cut before switching on. Otherwise it may cause the guide bar to wobble, resulting in injury to operator. Saw the wood to be cut by just moving it down by using the weight of the chain saw.



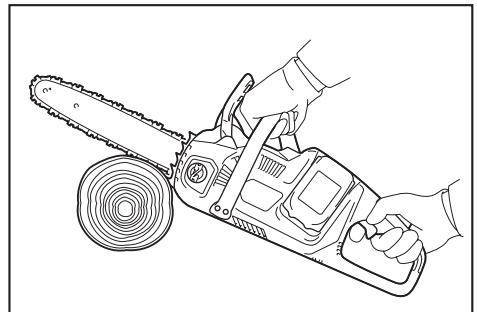
If you cannot cut the timber right through with a single stroke:

Apply light pressure to the handle and continue sawing and draw the chain saw back a little; then apply the spike bumper a little lower and finish the cut by raising the handle.



Bucking

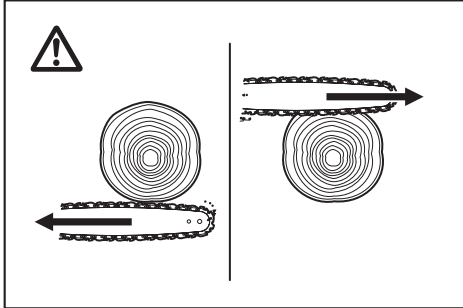
1. Rest the bottom edge of the chain saw body on the wood to be cut.



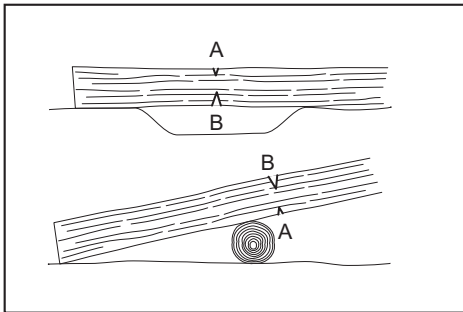
- With the saw chain running, saw into the wood while using the rear handle to raise the saw and the front one to guide it. Use the spike bumper as a pivot.
- Continue the cut by applying slight pressure to the front handle, easing the saw back slightly. Move the spike bumper further down the timber and raise the front handle again.

NOTICE: When making several cuts, switch the chain saw off between cuts.

CAUTION: If the upper edge of the bar is used for cutting, the chain saw may be deflected in your direction if the chain becomes trapped. For this reason, cut with the lower edge, so that the saw will be deflected away from your body.



When you cut a wood under tension, cut the pressured side (A) first. Then make the final cut from the tensioned side (B). This prevents the bar from becoming trapped.



Limbing

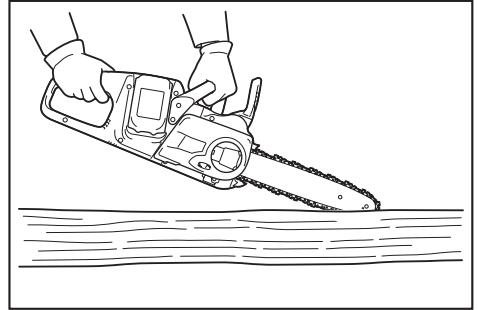
CAUTION: Limbing may only be performed by trained persons. A hazard is presented by the risk of kickback.

When limbing, support the chain saw on the trunk if possible. Do not cut with the tip of the bar, as this presents a risk of kickback. Pay particular attention to branches under tension. Do not cut unsupported branches from below. Do not stand on the felled trunk when limbing.

Burrowing and parallel-to-grain cuts

CAUTION: Burrowing and parallel-to-grain cuts may only be carried out by persons with special training. The possibility of kickback presents a risk of injury.

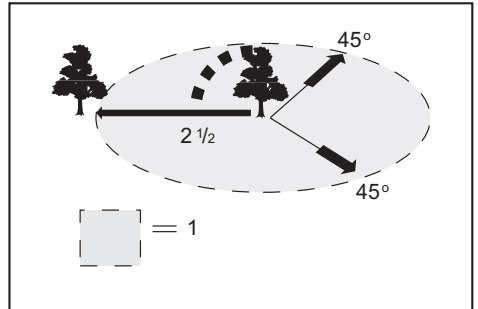
Perform parallel-to-grain cuts at as shallow an angle as possible. Take an extra caution when carrying out the cut as the spike bumper cannot be used.



Felling

CAUTION: Felling work may only be performed by trained persons. The work is hazardous.

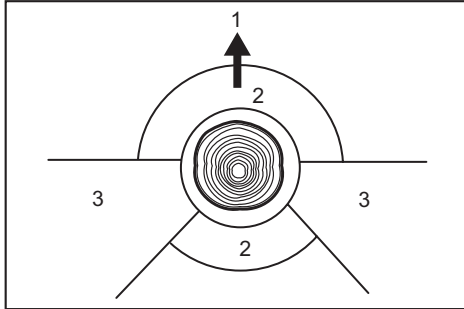
Observe local regulations if you wish to fell a tree.



► 1. Felling area

- Before starting felling work, ensure that:
 - Only persons involved in the felling operation are in the vicinity;
 - Any person involved has an unhindered path of retreat through a range of approximately 45° either side of the felling axis. Consider the additional risk of tripping over electrical cables;
 - The base of the trunk is free of foreign objects, roots and ranches;
 - No persons or objects are present over a distance of 2 1/2 tree lengths in the direction in which the tree will fall.
- Consider the following with respect to each tree:
 - Direction of lean;
 - Loose or dry branches;
 - Height of the tree;
 - Natural overhang;
 - Whether or not the tree is rotten.

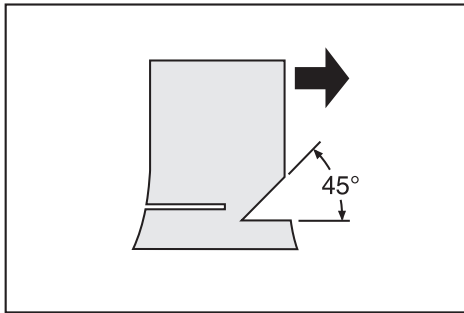
- Consider the wind speed and direction. Do not carry out felling work if the wind is gusting strongly.
- Trimming of root swellings: Begin with the largest swellings. Make the vertical cut first, then the horizontal cut.
- Stand to the side of the falling tree. Keep an area clear to the rear of the falling tree up to an angle of 45° either side of the tree axis (refer to the "felling area" figure). Pay attention to falling branches.
- An escape path should be planned and cleared as necessary before cuts are started. The escape path should extend back and diagonally to the rear of the expected line of fall as illustrated in figure.



- 1. Felling direction 2. Danger zone 3. Escape route

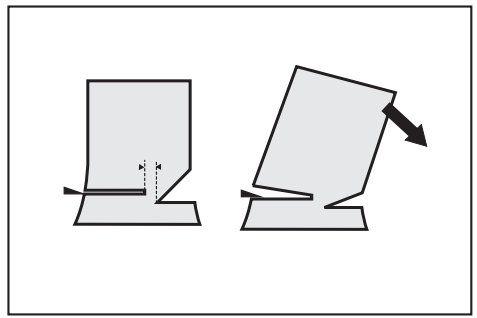
When felling trees, follow the procedures below:

1. Cut a scarf as close to the ground as possible. First make the horizontal cut to a depth of 1/5 - 1/3 of the trunk diameter. Do not make the scarf too large. Then make the diagonal cut.



NOTE: The scarf determines the direction in which the tree will fall, and guides it. It is made on the side towards which the tree is to fall.

2. Make the back cut a little higher than the base cut of the scarf. The back cut must be exactly horizontal. Leave approximately 1/10 of the trunk diameter between the back cut and the scarf. The wood fibers in the uncut trunk portion act as a hinge. Insert wedges into the back cut in time.

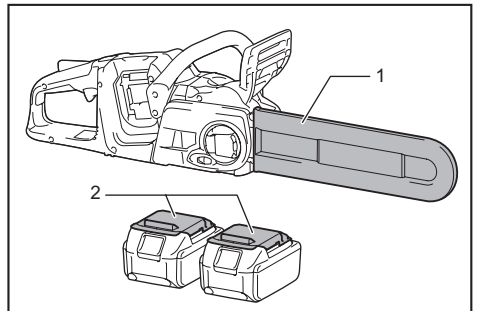


⚠WARNING: Do not cut right through the fibers under any circumstances. The tree will otherwise fall unchecked.

NOTICE: Only plastic or aluminum wedges may be used to keep the back cut open. The use of iron wedges is prohibited.

Carrying tool

Before carrying the tool, always apply the chain brake and remove the battery cartridges from the tool. Then attach the guide bar cover. Also cover the battery cartridge with the battery cover.



- 1. Guide bar cover 2. Battery cover

MAINTENANCE

⚠CAUTION: Always be sure that the tool is switched off and the battery cartridge is removed before attempting to perform inspection or maintenance.

⚠CAUTION: Always wear gloves when performing any inspection or maintenance.

NOTICE: Never use gasoline, benzene, thinner, alcohol or the like. Discoloration, deformation or cracks may result.

Sharpening the saw chain

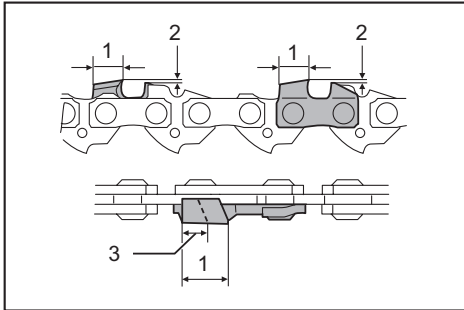
Sharpen the saw chain when:

- Mealy sawdust is produced when damp wood is cut;
- The chain penetrates the wood with difficulty, even when heavy pressure is applied;
- The cutting edge is obviously damaged;
- The saw pulls to the left or right in the wood. (caused by uneven sharpening of the saw chain or damage to one side only)

Sharpen the saw chain frequently but a little each time. Two or three strokes with a file are usually sufficient for routine reshaping. When the saw chain has been resharpened several times, have it sharpened in our authorized service center.

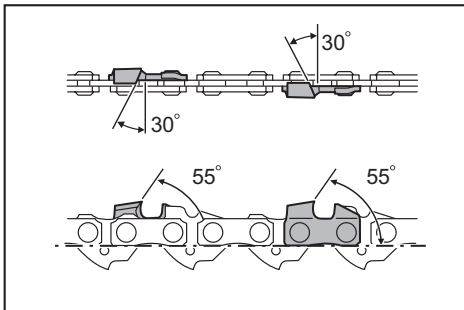
Sharpening criteria:

⚠ WARNING: An excessive distance between the cutting edge and depth gauge increases the risk of kickback.



- **1.** Cutter length **2.** Distance between cutting edge and depth gauge **3.** Minimum cutter length (3 mm)

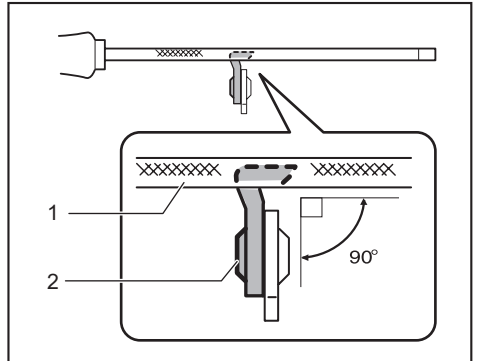
- All cutter length must be equal. Different cutter runnings prevent the saw chain from running smoothly and may cause the saw chain to break.
- Do not sharpen the chain when the cutter length has reached 3 mm or shorter. The chain must be replaced with new one.
- The chip thickness is determined by the distance between the depth gauge (round nose) and the cutting edge.
- The best cutting results are obtained with following distance between cutting edge and depth gauge.
 - Chain blade 90PX : 0.65 mm (0.025")
 - Chain blade 91PX : 0.65 mm (0.025")



- The sharpening angle of 30° must be the same on all cutters. Different cutter angles cause the chain to run roughly and unevenly, accelerate wear, and lead to chain breaks.
- Use a suitable round file so that the proper sharpening angle is kept against the teeth.
 - Chain blade 90PX : 55°
 - Chain blade 91PX : 55°

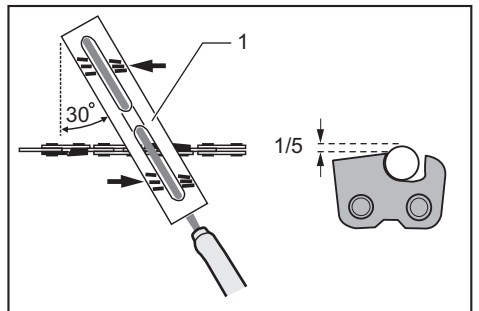
File and file guiding

- Use a special round file (optional accessory) for saw chains to sharpen the chain. Normal round files are not suitable.
- Diameter of the round file for each saw chain is as follows:
 - Chain blade 90PX : 4.5 mm (3/16")
 - Chain blade 91PX : 4.0 mm (5/32")
- The file should only engage the cutter on the forward stroke. Lift the file off the cutter on the return stroke.
- Sharpen the shortest cutter first. Then the length of this shortest cutter becomes the standard for all other cutters on the saw chain.
- Guide the file as shown in the figure.



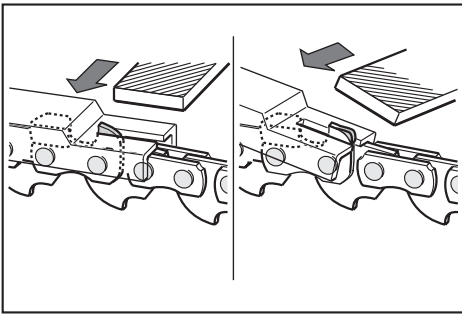
- **1.** File **2.** Saw chain

- The file can be guided more easily if a file holder (optional accessory) is employed. The file holder has markings for the correct sharpening angle of 30° (align the markings parallel to the saw chain) and limits the depth of penetration (to 4/5 of the file diameter).



- **1.** File holder

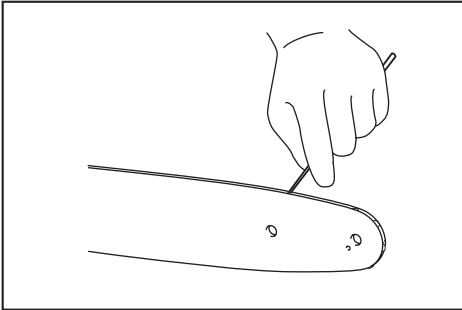
- After sharpening the chain, check the height of the depth gauge using the chain gauge tool (optional accessory).



- Remove any projecting material, however small, with a special flat file (optional accessory).
- Round off the front of the depth gauge again.

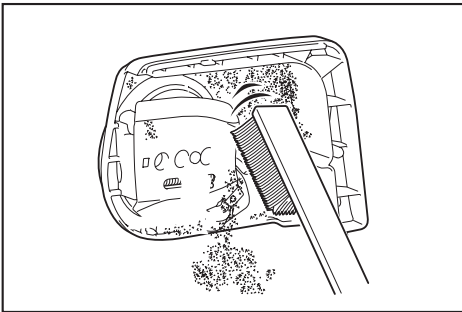
Cleaning the guide bar

Chips and sawdust will build up in the guide bar groove. They may clog the bar groove and impair the oil flow. Clean out the chips and sawdust every time when you sharpen or replace the saw chain.



Cleaning the sprocket cover

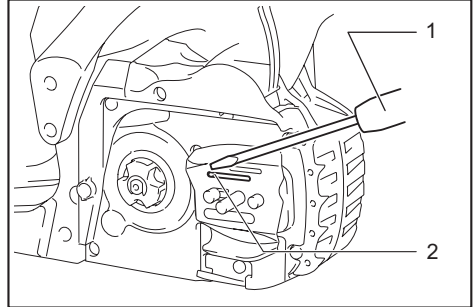
Chips and saw dust will accumulate inside of the sprocket cover. Remove the sprocket cover and saw chain from the tool then clean the chips and saw dust.



Cleaning the oil discharge hole

Small dust or particles may be built up in the oil discharge hole during operation. These dust or particles may impair the oil to flow and cause an insufficient lubrication on the whole saw chain. When a poor chain oil delivery occurs at the top of guide bar, clean the oil discharge hole as follows.

1. Remove the sprocket cover and saw chain from the tool.
2. Remove the small dust or particles using a slotted screwdriver with a slender shaft or the like.



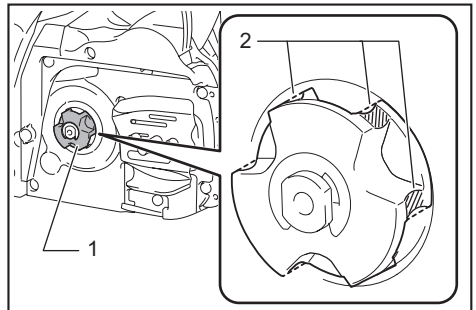
- 1. Slotted screwdriver 2. Oil discharge hole

3. Insert the battery cartridge into the tool. Pull the switch trigger to flow built-up dust or particles off the oil discharge hole by discharging chain oil.
4. Remove the battery cartridge from the tool. Reinstall the sprocket cover and saw chain on the tool.

Replacing the sprocket

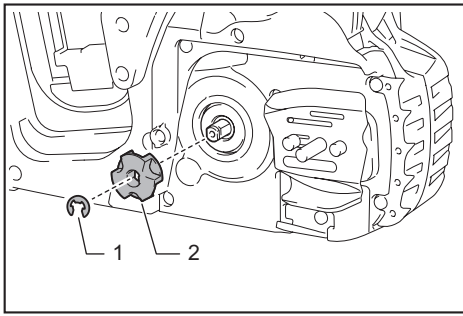
CAUTION: A worn sprocket will damage a new saw chain. Have the sprocket replaced in this case.

Before fitting a new saw chain, check the condition of the sprocket.



- 1. Sprocket 2. Areas to be worn out

Always fit a new locking ring when replacing the sprocket.



► 1. Locking ring 2. Sprocket

NOTICE: Make sure that the sprocket is installed as shown in the figure.

Storing the tool

1. Clean the tool before storing. Remove any chips and sawdust from the tool after removing the sprocket cover.
2. After cleaning the tool, run it under no load to lubricate the saw chain and guide bar.
3. Cover the guide bar with the guide bar cover.
4. Empty the oil tank.

Instructions for periodic maintenance

To ensure long life, prevent damage and ensure the full functioning of the safety features, the following maintenance must be performed regularly. Warranty claims can be recognized only if this work is performed regularly and properly. Failure to perform the prescribed maintenance work can lead to accidents! The user of the chain saw must not perform maintenance work which is not described in the instruction manual. All such work must be carried out by our authorized service center.

Check item / Operating time		Before operation	Everyday	Every week	Every 3 month	Annually	Before storage
Chain saw	Inspection.	✓	-	-	-	-	-
	Cleaning.	-	✓	-	-	-	-
	Check at authorized service center.	-	-	-	-	✓	✓
Saw chain	Inspection.	✓	-	-	-	-	-
	Sharpening if necessary.	-	-	-	-	-	✓
Guide bar	Inspection.	✓	✓	-	-	-	-
	Remove from the chain saw.	-	-	-	-	-	✓
Chain brake	Check the function.	✓	-	-	-	-	-
	Have it inspected regularly at authorized service center.	-	-	-	✓	-	-
Chain lubrication	Check the oil feed rate.	✓	-	-	-	-	-
Switch trigger	Inspection.	✓	-	-	-	-	-
Lock-off lever	Inspection.	✓	-	-	-	-	-
Oil tank cap	Check tightness.	✓	-	-	-	-	-
Chain catcher	Inspection.	-	-	✓	-	-	-
Screws and nuts	Inspection.	-	-	✓	-	-	-

To maintain product SAFETY and RELIABILITY, repairs, any other maintenance or adjustment should be performed by Makita Authorized or Factory Service Centers, always using Makita replacement parts.

TROUBLESHOOTING

Before asking for repairs, conduct your own inspection first. If you find a problem that is not explained in the manual, do not attempt to dismantle the tool. Instead, ask Makita Authorized Service Centers, always using Makita replacement parts for repairs.

Malfunction status	Cause	Action
The chain saw does not start.	Two battery cartridges are not installed.	Install two charged battery cartridges.
	Battery problem (low voltage).	Recharge the battery cartridges. If recharging is not effective, replace the battery cartridge.
	Main power switch is off.	The chain saw is automatically turned off if it is un-operated for a certain period. Turn on the main power switch again.
The saw chain does not run.	Chain brake activated.	Release chain brake.
The motor stops running after a little use.	Battery's charge level is low.	Recharge the battery cartridges. If recharging is not effective, replace the battery cartridge.
No oil on the chain.	Oil tank is empty.	Fill the oil tank.
	Oil guide groove is dirty.	Clean the groove.
	Poor oil delivery.	Adjust the amount of oil delivery with the adjusting screw.
The chain saw does not reach maximum RPM.	Battery cartridge is installed improperly.	Install the battery cartridges as described in this manual.
	Battery power is dropping.	Recharge the battery cartridges. If recharging is not effective, replace the battery cartridge.
	The drive system does not work correctly.	Ask the authorized service center in your region for repair.
The main power lamp is blinking.	Switch trigger is pulled under an unoperable condition.	Pull the switch trigger after the main power switch is turned on and the chain brake is released.
Chain does not stop even the chain brake is activated: Stop the machine immediately!	The brake band is worn down.	Ask the authorized service center in your region for repair.
Abnormal vibration: Stop the machine immediately!	Loose guide bar or saw chain.	Adjust the guide bar and saw chain tension.
	Tool malfunction.	Ask the authorized service center in your region for repair.

OPTIONAL ACCESSORIES

⚠ CAUTION: These accessories or attachments are recommended for use with your Makita tool specified in this manual. The use of any other accessories or attachments might present a risk of injury to persons. Only use accessory or attachment for its stated purpose.

If you need any assistance for more details regarding these accessories, ask your local Makita Service Center.

- Saw chain
- Guide bar
- Guide bar cover
- File
- Tool bag
- Makita genuine battery and charger

⚠ WARNING: If you purchase a guide bar of different length from the standard guide bar, also purchase a suitable guide bar cover together. It must fit and fully cover the guide bar on the chain saw.

NOTE: Some items in the list may be included in the tool package as standard accessories. They may differ from country to country.

MAKITA LIMITED ONE YEAR WARRANTY

Warranty Policy

Every Makita tool is thoroughly inspected and tested before leaving the factory. It is warranted to be free of defects from workmanship and materials for the period of ONE YEAR from the date of original purchase.

Should any trouble develop during this one year period, return the COMPLETE tool, freight prepaid, to one of Makita's Factory or Authorized Service Centers. If inspection shows the trouble is caused by defective workmanship or material, Makita will repair (or at our option, replace) without charge.

This Warranty does not apply where:

- repairs have been made or attempted by others:
- repairs are required because of normal wear and tear:
- the tool has been abused, misused or improperly maintained:
- alterations have been made to the tool.

IN NO EVENT SHALL MAKITA BE LIABLE FOR ANY INDIRECT, INCIDENTAL OR CONSEQUENTIAL DAMAGES FROM THE SALE OR USE OF THE PRODUCT. THIS DISCLAIMER APPLIES BOTH DURING AND AFTER THE TERM OF THIS WARRANTY.

MAKITA DISCLAIMS LIABILITY FOR ANY IMPLIED WARRANTIES, INCLUDING IMPLIED WARRANTIES OF "MERCHANTABILITY" AND "FITNESS FOR A SPECIFIC PURPOSE," AFTER THE ONE YEAR TERM OF THIS WARRANTY.

This Warranty gives you specific legal rights, and you may also have other rights which vary from state to state. Some states do not allow the exclusion or limitation of incidental or consequential damages, so the above limitation or exclusion may not apply to you. Some states do not allow limitation on how long an implied warranty lasts, so the above limitation may not apply to you.

ESPECIFICACIONES

Modelo:		XCU03	XCU04
Longitud total (sin la barra de guía)		443 mm (17-1/2")	
Tensión nominal		36 V c.c.	
Batería estándar		BL1815N, BL1820B, BL1830, BL1830B, BL1840B, BL1850B, BL1860B	
Peso neto (al utilizar el BL1815N)	con la 90PX	4,7 kg (10,4 lbs)	4,8 kg (10,6 lbs)
	con la 91PX	4,8 kg (10,6 lbs)	4,9 kg (10,7 lbs)
Longitud de la barra de guía estándar		350 mm (14")	400 mm (16")
Longitud recomendada de la barra de guía		300 - 400 mm (12 - 16")	
Tipo de cadena de la sierra aplicable (consulte la tabla a continuación)		90PX 91PX	
Pieza dentada	Número de dientes	6	
	Paso	3/8"	
Velocidad de la cadena		0 m/s - 20 m/s (0 m/min - 1 200 m/min) (0 ft/min - 3 940 ft/min)	
Volumen del tanque de aceite para la cadena		200 cm ³	

Cadena de la sierra y barra de guía

Tipo de cadena de la sierra		90PX		
Número de eslabones motorices		46	52	56
Barra de guía	Longitud de la barra de guía	300 mm (12")	350 mm (14")	400 mm (16")
	Longitud de corte	280 mm (11")	330 mm (13")	375 mm (14-3/4")
	No. de pieza	165245-8	165246-6	165247-4
	Paso	3/8"		
	Calibre	1,1 mm (0,043")		
	Tipo	Barra dentada		

Tipo de cadena de la sierra		91PX		
Número de eslabones motorices		46	52	56
Barra de guía	Longitud de la barra de guía	300 mm (12")	350 mm (14")	400 mm (16")
	Longitud de corte	280 mm (11")	330 mm (13")	375 mm (14-3/4")
	No. de pieza	165200-0	165201-8	165202-6
	Paso	3/8"		
	Calibre	1,3 mm (0,050")		
	Tipo	Barra dentada		

- Debido a nuestro continuo programa de investigación y desarrollo, las especificaciones aquí incluidas están sujetas a cambio sin previo aviso.
- Las especificaciones y el cartucho de batería pueden variar de país a país.
- Peso de acuerdo al procedimiento de EPTA-01/2003 incluyendo el cartucho de batería

⚠ADVERTENCIA: Utilice una combinación apropiada de la barra de guía y cadena de la sierra. De lo contrario, esto podría ocasionar una lesión personal.

ADVERTENCIAS DE SEGURIDAD

Advertencias generales de seguridad para herramientas eléctricas

⚠ADVERTENCIA: Lea todas las advertencias de seguridad e instrucciones. El no seguir las advertencias e instrucciones indicadas puede ocasionar una descarga eléctrica, un incendio y/o lesiones graves.

Conserve todas las advertencias e instrucciones como referencia en el futuro.

En las advertencias, el término "herramienta eléctrica" se refiere a su herramienta eléctrica de funcionamiento con conexión a la red eléctrica (con cableado eléctrico) o herramienta eléctrica de funcionamiento a batería (inalámbrica).

Seguridad en el área de trabajo

1. **Mantenga el área de trabajo limpia y bien iluminada.** Las áreas oscuras o desordenadas son propensas a accidentes.
2. **No utilice las herramientas eléctricas en atmósferas explosivas, tal como en la presencia de líquidos, gases o polvo inflamables.** Las herramientas eléctricas crean chispas que pueden prender fuego al polvo o los humos.
3. **Mantenga a los niños y curiosos alejados mientras utiliza una herramienta eléctrica.** Las distracciones le pueden hacer perder el control.

Seguridad eléctrica

1. **Las clavijas de conexión de las herramientas eléctricas deberán encajar perfectamente en la toma de corriente. No modifique nunca la clavija de conexión de ninguna forma. No utilice ninguna clavija adaptadora con herramientas eléctricas que tengan conexión a tierra (puesta a tierra).** La utilización de clavijas no modificadas y que encajen perfectamente en la toma de corriente reducirá el riesgo de que se produzca una descarga eléctrica.
2. **Evite tocar con el cuerpo superficies conectadas a tierra o puestas a tierra tales como tubos, radiadores, cocinas y refrigeradores.** Si su cuerpo es puesto a tierra o conectado a tierra existirá un mayor riesgo de que sufra una descarga eléctrica.
3. **No exponga las herramientas eléctricas a la lluvia ni a condiciones húmedas.** La entrada de agua en una herramienta eléctrica aumentará el riesgo de que se produzca una descarga eléctrica.

4. **No maltrate el cable. Nunca utilice el cable para transportar, jalar o desconectar la herramienta eléctrica. Mantenga el cable alejado del calor, aceite, objetos cortantes o piezas móviles.** Los cables dañados o enredados aumentan el riesgo de sufrir una descarga eléctrica.
5. **Cuando utilice una herramienta eléctrica en exteriores, utilice un cable de extensión apropiado para uso en exteriores.** La utilización de un cable apropiado para uso en exteriores reducirá el riesgo de que se produzca una descarga eléctrica.
6. **Si no es posible evitar usar una herramienta eléctrica en condiciones húmedas, utilice un alimentador protegido con interruptor de circuito de falla a tierra (ICFT).** El uso de un ICFT reduce el riesgo de descarga eléctrica.

Seguridad personal

1. **Manténgase alerta, preste atención a lo que está haciendo y utilice su sentido común cuando opere una herramienta eléctrica. No utilice una herramienta eléctrica cuando esté cansado o bajo la influencia de drogas, alcohol o medicamentos.** Un momento de distracción mientras opera las herramientas eléctricas puede terminar en una lesión grave.
2. **Use equipo de protección personal. Póngase siempre protección para los ojos.** El equipo protector tal como máscara contra el polvo, zapatos de seguridad antiderrapantes, casco rígido y protección para oídos utilizado en las condiciones apropiadas reducirá el riesgo de lesiones.
3. **Impida el encendido accidental. Asegúrese de que el interruptor esté en la posición de apagado antes de conectar a la alimentación eléctrica y/o de colocar el cartucho de batería, así como al levantar o cargar la herramienta.** Cargar las herramientas eléctricas con su dedo en el interruptor o enchufarlas con el interruptor encendido hace que los accidentes sean comunes.
4. **Retire cualquier llave de ajuste o llave de apriete antes de encender la herramienta.** Una llave de ajuste o llave de apriete que haya sido dejada puesta en una parte giratoria de la herramienta eléctrica puede ocasionar alguna lesión.
5. **No utilice la herramienta donde no alcance. Mantenga los pies sobre suelo firme y el equilibrio en todo momento.** Esto permite un mejor control de la herramienta eléctrica en situaciones inesperadas.
6. **Use vestimenta apropiada. No use ropas sueltas ni joyas. Mantenga el cabello, la ropa y los guantes alejados de las piezas móviles.** Las prendas de vestir holgadas, las joyas y el cabello suelto podrían engancharse en las piezas móviles.
7. **Si dispone de dispositivos para la conexión de equipos de extracción y recolección de polvo, asegúrese de conectarlos y utilizarlos debidamente.** Hacer uso de la recolección de polvo puede reducir los riesgos relacionados con el polvo.

Mantenimiento y uso de la herramienta eléctrica

1. **No fuerce la herramienta eléctrica. Utilice la herramienta eléctrica correcta para su aplicación.** La herramienta eléctrica adecuada hará un mejor trabajo y de forma más segura a la velocidad para la que ha sido fabricada.
2. **No utilice la herramienta eléctrica si el interruptor no la enciende y apaga.** Cualquier herramienta eléctrica que no pueda ser controlada con el interruptor es peligrosa y debe ser reemplazada.
3. **Desconecte la clavija de la fuente de energía y/o la batería de la herramienta eléctrica antes de realizar ajustes, cambiar accesorios o guardar las herramientas eléctricas.** Dichas medidas de seguridad preventivas reducen el riesgo de que la herramienta se inicie accidentalmente.
4. **Guarde la herramienta eléctrica que no use fuera del alcance de los niños y no permita que las personas que no están familiarizadas con ella o con las instrucciones la operen.** Las herramientas eléctricas son peligrosas en manos de personas que no saben operarlas.
5. **Realice el mantenimiento a las herramientas eléctricas. Compruebe que no haya partes móviles desalineadas o estancadas, piezas rotas y cualquier otra condición que pueda afectar al funcionamiento de la herramienta eléctrica. Si la herramienta eléctrica está dañada, haga que se la reparen antes de utilizarla.** Muchos accidentes son ocasionados por herramientas eléctricas con mantenimiento inadecuado.
6. **Mantenga las herramientas de corte limpias y filosas.** Si recibe un mantenimiento adecuado y tiene los bordes afilados, es probable que la herramienta se atasque menos y sea más fácil controlarla.
7. **Utilice la herramienta eléctrica, los accesorios y las brocas de acuerdo con estas instrucciones, considerando las condiciones laborales y el trabajo a realizar.** Si utiliza la herramienta eléctrica para realizar operaciones distintas de las indicadas, podrá presentarse una situación peligrosa.

Uso y cuidado de la herramienta a batería

1. **Recargue sólo con el cargador especificado por el fabricante.** Un cargador que es adecuado para un solo tipo de batería puede generar riesgo de incendio al ser utilizado con otra batería.
2. **Utilice las herramientas eléctricas solamente con las baterías designadas específicamente para ellas.** La utilización de cualquier otra batería puede crear un riesgo de lesiones o incendio.
3. **Cuando no se esté usando la batería, manténgala alejada de otros objetos metálicos, como sujetapapeles (clips), monedas, llaves, clavos, tornillos u otros objetos pequeños de metal los cuales pueden actuar creando una conexión entre las terminales de la batería.** Originar un cortocircuito en las terminales puede causar quemaduras o incendios.

4. **En condiciones abusivas, podrá escapar líquido de la batería; evite tocarlo. Si lo toca accidentalmente, enjuague con agua. Si hay contacto del líquido con los ojos, busque asistencia médica.** Puede que el líquido expulsado de la batería cause irritación o quemaduras.

Servicio

1. **Haga que una persona calificada repare la herramienta eléctrica utilizando sólo piezas de repuesto idénticas.** Esto asegura que se mantenga la seguridad de la herramienta eléctrica.
2. **Siga las instrucciones para la lubricación y cambio de accesorios.**
3. **Mantenga las agarraderas secas, limpias y sin aceite o grasa.**

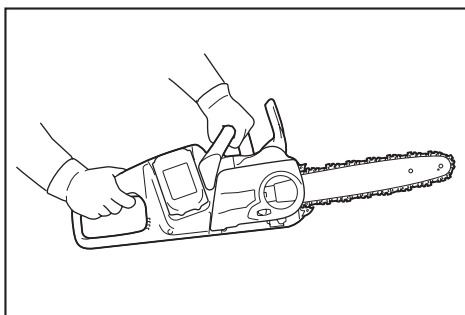
Advertencias de seguridad para la electrosierra inalámbrica

1. **Mantenga todas las partes del cuerpo alejadas de la cadena de la sierra cuando la sierra eléctrica esté en marcha. Antes de arrancar la sierra eléctrica, asegúrese de que la cadena de la sierra no esté haciendo contacto con nada.** Un momento de falta de atención al estar operando sierras eléctricas podría causar que su ropa o alguna parte de su cuerpo se enganchara con la cadena de la sierra.
2. **Siempre sujete la sierra eléctrica con su mano derecha en el mango trasero y su mano izquierda en el mango delantero.** Sujetar la sierra eléctrica con una configuración de manos invertida aumenta el riesgo de lesiones personales, por lo que nunca debe hacer esto.
3. **Sujete la herramienta eléctrica solamente por las superficies de aislamiento aisladas, ya que la cadena de la sierra podría entrar en contacto con cableado oculto.** Si las cadenas de la sierras entran en contacto con un cable con corriente, las piezas metálicas expuestas de la herramienta eléctrica se cargarán también de corriente y el operador podría recibir una descarga eléctrica.
4. **Utilice gafas de seguridad y protección auditiva.** Se recomienda utilizar equipo de protección adicional para la cabeza, manos, piernas y pies. El uso de una vestimenta de protección adecuada reducirá las lesiones personales a causa de los residuos que salgan proyectados o el contacto accidental con la cadena de la sierra.
5. **No use una sierra eléctrica estando en un árbol.** La operación de una sierra eléctrica estando arriba en un árbol podría ocasionar lesiones personales.
6. **Siempre pise firmemente y solamente opere la sierra eléctrica cuando esté parado sobre una superficie fija, segura y nivelada.** Las superficies resbalosas o inestables tales como las escaleras pueden causar la pérdida del equilibrio o del control de la sierra eléctrica.
7. **Cuando corte una rama que se encuentre tensionada, esté alerta a su liberación brusca.** Al liberarse la tensión en las fibras de la madera, la rama tensionada puede golpear al operador y/o provocar la pérdida de control de la sierra eléctrica.

8. **Tenga extrema precaución al cortar matorrales y árboles jóvenes.** El material tierno puede quedar atascado en la cadena de la sierra y ser lanzado hacia usted o hacerle perder el equilibrio.
9. **Cargue la sierra eléctrica del mango delantero estando apagada y lejos de su cuerpo. Cuando vaya a transportar o almacenar la sierra eléctrica, coloque siempre la cubierta de la barra de guía.** La manipulación adecuada de la sierra eléctrica reducirá la probabilidad de un contacto accidental con la sierra eléctrica en movimiento.
10. **Siga las instrucciones para la lubricación, tensión de la cadena y cambio de accesorios.** Una tensión o lubricación inadecuadas de la cadena podría ya sea ocasionar un rompimiento o aumentar la probabilidad de un retroceso brusco.
11. **Mantenga los mangos secos, limpios, y libres de aceite y grasa.** Los mangos grasosos y aceitosos son resbalosos y causan la pérdida de control.
12. **Corte madera únicamente. No utilice la sierra eléctrica para otros fines que no sean para los que fue diseñada.** Por ejemplo: no utilice la sierra eléctrica para cortar plástico, mampostería o materiales de construcción que no sean de madera. El uso de la sierra eléctrica para operaciones distintas para las que fue diseñada podría provocar una situación peligrosa.
13. **Causas de retrocesos bruscos y prevención por parte del operador:**

El retroceso brusco puede ocurrir cuando la nariz o punta de la barra de guía toca algún objeto, o cuando la madera alcanza la cadena de la sierra y la atora en el corte. En algunos casos, el contacto de la punta puede causar una reacción en reversa, ocasionando que la barra de guía se mueva bruscamente hacia arriba y hacia atrás en dirección del operador. El atoramiento de la cadena de la sierra junto con la parte superior de la barra de guía puede empujar rápidamente la barra de guía hacia atrás en la dirección del operador. Cualquiera de estas reacciones puede causar la pérdida de control de la sierra, lo que a su vez podría ocasionar lesiones personales graves. No dependa exclusivamente de los dispositivos de seguridad incorporados en su sierra. Como usuario de una sierra eléctrica, usted deberá tomar diversas medidas para mantener sus trabajos de corte libres de accidentes o lesiones. El retroceso brusco es el resultado de un mal uso de la herramienta y/o de procedimientos o condiciones de operación incorrectos y puede evitarse tomando las precauciones adecuadas tal como se indica a continuación:

- Mantenga una sujeción firme, rodeando con los pulgares y los dedos los mangos de la sierra eléctrica, con ambas manos en la sierra y posicionando su cuerpo y su brazo de manera que le permita resistir las fuerzas de los retrocesos bruscos. Las fuerzas de los retrocesos bruscos pueden ser controladas por el operador, siempre que se tomen las precauciones adecuadas. No suelte la sierra eléctrica.





- No exceda su alcance ni corte por encima de la altura de su hombro. Esto le ayudará a prevenir que la punta haga contacto de manera no intencional y le permita un mejor control de la sierra eléctrica durante situaciones inesperadas.
 - Use solamente barras y cadenas de repuesto especificadas por el fabricante. El reemplazo incorrecto de las barras y cadenas podría causar la rotura de la cadena y/o un retroceso brusco.
 - Siga las instrucciones de afilado y mantenimiento del fabricante para la cadena de la sierra. Reducir la altura del calibrador de profundidad podría ocasionar un mayor número de retrocesos bruscos.
14. **Antes de comenzar el trabajo, verifique que la sierra eléctrica se encuentre en buen estado y que su condición cumpla con las normas de seguridad. Verifique en particular que:**
 - El freno de la cadena funcione debidamente;
 - El freno de retención funcione debidamente;
 - La barra y la cubierta de la pieza dentada estén colocadas correctamente;
 - La cadena haya sido afilada y tensionada de acuerdo con los reglamentos.
 15. **No arranque la sierra eléctrica con la cubierta de la cadena instalada en ésta.** El arrancar la sierra eléctrica con la cubierta de la cadena instalada en ésta podría causar que la cubierta de la cadena saliera arrojada hacia adelante, ocasionando lesiones personales y daños a los objetos alrededor del operador.

CONSERVE ESTAS INSTRUCCIONES.

⚠ADVERTENCIA: NO DEJE que la comodidad o familiaridad con el producto (a base de utilizarlo repetidamente) evite que siga estrictamente las normas de seguridad para dicho producto. **El USO INCORRECTO o el no seguir las normas de seguridad indicadas en este manual de instrucciones puede ocasionar lesiones graves.**

Símbolos

A continuación se muestran los símbolos utilizados para la herramienta.

V	volts o voltios
	corriente directa o continua
ft/min	pies por minuto
	número de piezas de la cadena de la sierra y la barra de guía aplicables

Instrucciones importantes de seguridad para el cartucho de batería

1. Antes de utilizar el cartucho de batería, lea todas las instrucciones e indicaciones de precaución en el (1) el cargador de batería, (2) la batería, y (3) el producto con el que se utiliza la batería.
2. No desarme el cartucho de batería.
3. Si el tiempo de operación se ha acortado en exceso, deje de operar de inmediato. Podría correrse el riesgo de sobrecalentamiento, posibles quemaduras e incluso explosión.
4. En caso de que ingresen electrolitos en sus ojos, enjuáguelos bien con agua limpia y consulte de inmediato a un médico. Esto podría ocasionar pérdida de visión.
5. Evite cortocircuitar el cartucho de batería:
 - (1) No toque las terminales con ningún material conductor.
 - (2) Evite guardar el cartucho de batería en un cajón junto con otros objetos metálicos, tales como clavos, monedas, etc.
 - (3) No exponga el cartucho de batería al agua o la lluvia.

Un cortocircuito en la batería puede causar un flujo grande de corriente, sobrecalentamiento, posibles quemaduras e incluso una descompostura.

6. No guarde la herramienta ni el cartucho de batería en lugares donde la temperatura pueda alcanzar o exceder los 50°C (122°F).
7. Nunca incinere el cartucho de batería incluso en el caso de que esté dañado seriamente o ya no sirva en absoluto. El cartucho de batería puede explotar si se tira al fuego.
8. Tenga cuidado de no dejar caer ni golpear la batería.
9. No use una batería dañada.
10. Las baterías de ión de litio están sujetas a los requisitos reglamentarios en materia de bienes peligrosos.

Para el transporte comercial, por ej., mediante terceros o agentes de transporte, se deben tomar en cuenta los requisitos especiales relativos al empaque y el etiquetado.

Para efectuar los preparativos del artículo que se va a enviar, se requiere consultar a un experto en materiales peligrosos. Si es posible, consulte además otras regulaciones nacionales más detalladas.

Pegue o cubra con cinta adhesiva los contactos abiertos y empaque la batería de manera que ésta no pueda moverse dentro del paquete.

11. Siga las regulaciones locales relacionadas al desecho de las baterías.

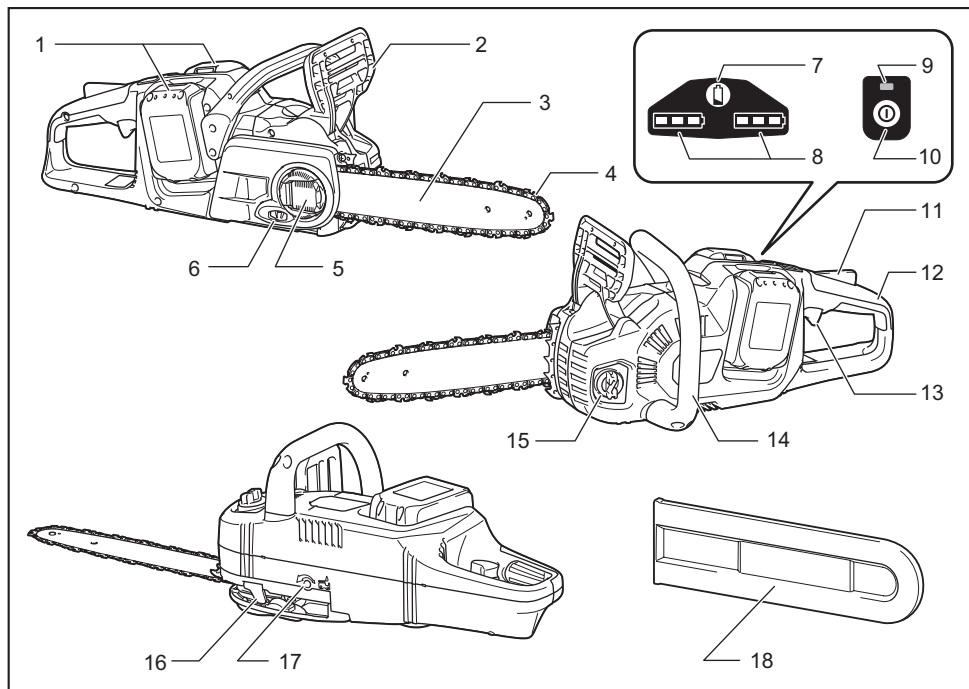
GUARDE ESTAS INSTRUCCIONES.

⚠PRECAUCIÓN: Utilice únicamente baterías originales de Makita. El uso de baterías no originales de Makita, o de baterías alteradas, puede ocasionar que las baterías exploten causando un incendio, lesiones personales y daños. Asimismo, esto invalidará la garantía de Makita para la herramienta y el cargador Makita.

Consejos para alargar al máximo la vida útil de la batería

1. Cargue el cartucho de batería antes de que se descargue completamente. Pare siempre la operación y cargue el cartucho de batería cuando note menos potencia en la herramienta.
2. No cargue nunca un cartucho de batería que esté completamente cargado. La sobrecarga acortará la vida de servicio de la batería.
3. Cargue el cartucho de batería a una temperatura ambiente de 10 °C - 40 °C (50 °F - 104 °F). Si un cartucho de batería está caliente, déjelo enfriar antes de cargarlo.
4. Cargue el cartucho de batería si no va a utilizarlo durante un período prolongado (más de seis meses).

DESCRIPCIÓN DE LAS PIEZAS



1	Cartucho de batería	2	Protector de mano delantero	3	Barra de guía
4	Cadena de la sierra	5	Palanca	6	Dial de ajuste
7	Botón de verificación	8	Indicador de capacidad	9	Lámpara de alimentación principal
10	Interruptor de alimentación principal	11	Palanca de desbloqueo	12	Mango trasero
13	Gatillo interruptor	14	Mango delantero	15	Tapa del tanque de aceite
16	Receptor de la cadena	17	Tornillo de ajuste (para bomba de aceite)	18	Cubierta de la barra de guía

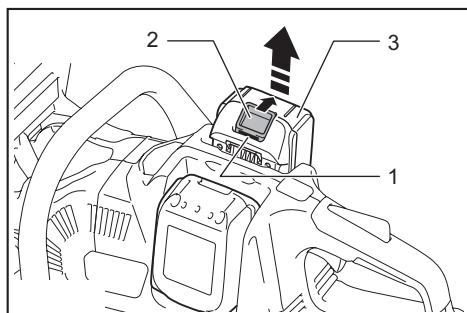
DESCRIPCIÓN DEL FUNCIONAMIENTO

⚠️ PRECAUCIÓN: Asegúrese siempre de que la herramienta esté apagada y el cartucho de batería haya sido extraído antes de realizar cualquier ajuste o comprobación en la herramienta.

Instalación o extracción del cartucho de batería

⚠️ PRECAUCIÓN: Apague siempre la herramienta antes de colocar o quitar el cartucho de batería.

⚠️ PRECAUCIÓN: Sujete la herramienta y el cartucho de la batería con firmeza al colocar o quitar el cartucho de batería. Si no se sujeta con firmeza la herramienta y el cartucho de batería, puede ocasionar que se resbalen de sus manos causando daños a la herramienta y al cartucho de batería, así como lesiones a la persona.



► 1. Indicador rojo 2. Botón 3. Cartucho de batería

Para quitar el cartucho de batería, deslícelo de la herramienta mientras desliza el botón sobre la parte delantera del cartucho.

Para colocar el cartucho de batería, alinee la lengüeta sobre el cartucho de batería con la ranura en la carcasa y deslice en su lugar. Inserte por completo hasta que se fije en su lugar con un pequeño clic. Si puede ver el indicador rojo del lado superior del botón, esto indica que no ha quedado fijo por completo.

⚠️ PRECAUCIÓN: Introduzca siempre completamente el cartucho de batería hasta que el indicador rojo no pueda verse. Si no, podría accidentalmente salirse de la herramienta y caer al suelo causando una lesión a usted o alguien a su alrededor.

⚠️ PRECAUCIÓN: No instale el cartucho de batería a la fuerza. Si el cartucho no se desliza al interior fácilmente, se debe a que no está siendo insertado correctamente.

NOTA: La herramienta no funciona con un solo cartucho de batería.

NOTA: Ponga atención a la posición de sus dedos cuando instale la batería. El botón se oprimirá de manera no intencional.

Sistema de protección para la herramienta/batería

La herramienta está equipada con un sistema de protección para la herramienta/batería. Este sistema corta en forma automática el suministro de energía al motor para prolongar la vida útil de la herramienta y la batería. La herramienta se detendrá automáticamente durante la operación si la herramienta o la batería se someten a una de las siguientes condiciones. En algunas condiciones, los indicadores pueden encenderse.

Protección contra sobrecarga

Cuando la herramienta está siendo operada de manera que causa que consuma una cantidad de corriente inusualmente alta, la herramienta se detendrá automáticamente y la lámpara de alimentación principal comenzará a parpadear. En este caso, apague la herramienta y detenga la aplicación que causó que la herramienta se sobrecargara. Luego encienda la herramienta para reiniciarla.

Protección contra sobrecalentamiento

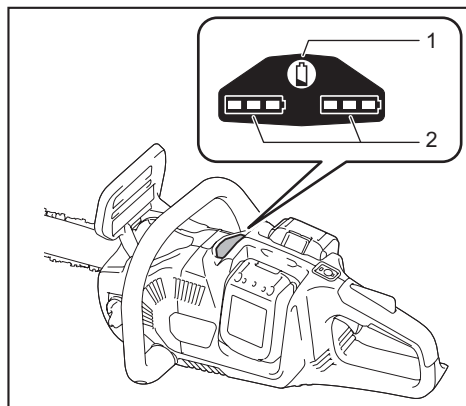
Cuando la herramienta se sobrecaliente, ésta se detendrá automáticamente y la lámpara del indicador de capacidad comenzará a parpadear tal como se muestra en la ilustración. En este caso, permita que la herramienta se enfríe antes de volver a encenderla.

Estado del indicador de capacidad			Estado
Encendido	Apagado	Parpadeando	
			Sobrecalentada.

Protección contra sobredescarga

Cuando la capacidad de la batería se reduce, la herramienta se detiene automáticamente. Si el producto no funciona incluso cuando los interruptores están siendo operados, retire las baterías de la herramienta y cárguelas.

Indicación de capacidad restante de la batería



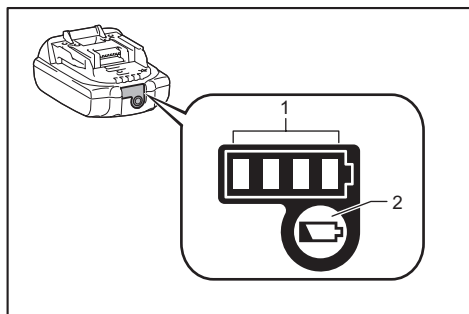
► 1. Botón de verificación 2. Indicador de capacidad

La capacidad restante de la batería es mostrada mientras oprime el botón de verificación. Los indicadores de capacidad corresponden a cada batería.

Estado del indicador de capacidad			Capacidad restante de la batería
Encendido	Apagado	Parpadeando	
			50% a 100%
			20% a 50%
			0% a 20%
			Cargar la batería

Indicación de la capacidad restante de la batería

Únicamente para cartuchos de batería con el indicador



► 1. Luces indicadoras 2. Botón de verificación

Oprima el botón de verificación en el cartucho de la batería para que indique la capacidad restante de la batería. Las luces indicadoras se iluminarán por algunos segundos.

Luces indicadoras			Capacidad restante
Iluminadas	Apagadas	Parpadeando	
			75% a 100%
			50% a 75%
			25% a 50%
			0% a 25%
			Cargar la batería.

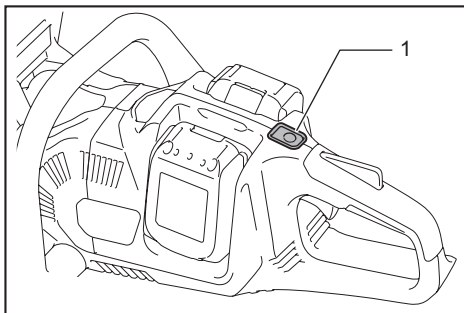
Luces indicadoras			Capacidad restante
Iluminadas	Apagadas	Parpadeando	
			La batería pudo haber funcionado mal.

NOTA: Dependiendo de las condiciones de uso y la temperatura ambiente, la indicación podrá diferir ligeramente de la capacidad real.

Interruptor de alimentación principal

ADVERTENCIA: Siempre apague el interruptor de alimentación principal cuando no lo vaya a utilizar.

Para poner en espera la sierra eléctrica, oprima el interruptor de alimentación principal hasta que la lámpara de alimentación principal se encienda. Para apagarla, oprima nuevamente el interruptor de alimentación principal.



► 1. Interruptor de alimentación principal

NOTA: La lámpara de alimentación principal parpadeará si el gatillo interruptor es jalado en condiciones de inoperabilidad. La lámpara parpadeará si usted:

- enciende el interruptor de alimentación principal mientras mantiene presionada la palanca de desbloqueo y el gatillo interruptor;
- jala el gatillo interruptor mientras acciona el freno de la cadena;
- libera el freno de la cadena mientras mantiene presionada la palanca de desbloqueo y jala el gatillo interruptor.

NOTA: Esta sierra eléctrica emplea la función de apagado automático. A fin de evitar un arranque no intencional, el interruptor de alimentación principal se apagará automáticamente cuando el gatillo interruptor no sea jalado durante cierto período después de que el interruptor de alimentación principal haya sido encendido.

Accionamiento del interruptor

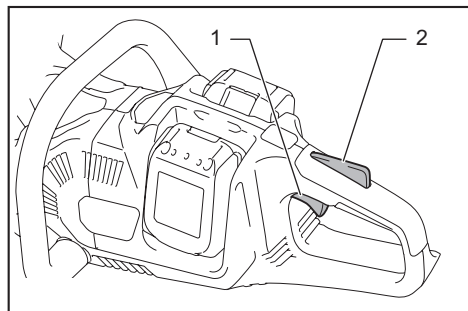
⚠ADVERTENCIA: Por su seguridad, esta herramienta está equipada con una palanca de desbloqueo para prevenir un arranque no intencional de la herramienta. **NUNCA** use la herramienta si se activa simplemente al jalar el gatillo interruptor sin presionar la palanca de desbloqueo. Devuelva la herramienta a nuestro centro de servicio autorizado para que realicen las reparaciones apropiadas **ANTES** de continuar su uso.

⚠ADVERTENCIA: **NUNCA** fije con cinta adhesiva ni impida el funcionamiento ni la finalidad de la palanca de desbloqueo.

⚠PRECAUCIÓN: Antes de insertar el cartucho de batería en la herramienta, compruebe siempre y cerciórese de que el gatillo interruptor se acciona debidamente y que vuelve a la posición "OFF" (apagado) cuando lo suelta.

AVISO: No jale fuerte el gatillo interruptor sin presionar la palanca de desbloqueo. Esto podría dañar el interruptor.

Se proporciona una palanca de desbloqueo para evitar que el gatillo interruptor sea jalado accidentalmente. Para arrancar la herramienta, presione la palanca de desbloqueo y jale el gatillo interruptor. Para detenerla, suelte el gatillo interruptor.



► 1. Gatillo interruptor 2. Palanca de desbloqueo

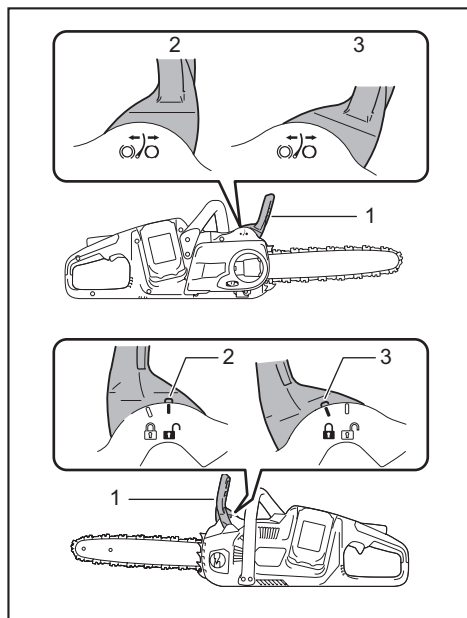
Verificación del freno de la cadena

⚠PRECAUCIÓN: Sujete la sierra eléctrica con ambas manos cuando vaya a encenderla. Sujete el mango trasero con su mano derecha, y el mango delantero con su mano izquierda. La barra y la cadena no deberán estar haciendo contacto con ningún objeto.

⚠PRECAUCIÓN: En caso de que la cadena de la sierra no se detenga de inmediato al realizar esta prueba, la sierra no deberá usarse bajo ninguna circunstancia. Consulte a nuestro centro de servicio autorizado.

1. Presione la palanca de desbloqueo y luego jale el gatillo interruptor. La sierra eléctrica arrancará de inmediato.

2. Empuje el protector de mano delantero hacia adelante con el dorso de su mano. Asegúrese de que la sierra eléctrica se detenga de inmediato.



► 1. Protector de mano delantero 2. Posición desbloqueada 3. Posición bloqueada

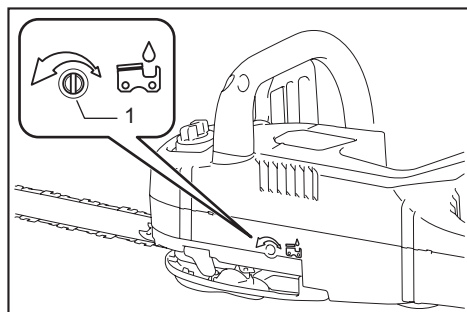
Verificación del freno de retención

⚠PRECAUCIÓN: Si la cadena de la sierra no se detiene en el lapso de un segundo durante esta prueba, deje de usar la sierra eléctrica y consulte a nuestro centro de servicio autorizado.

Haga funcionar la sierra eléctrica y luego suelte el gatillo interruptor por completo. La sierra eléctrica deberá detenerse en el lapso de un segundo.

Ajuste de la lubricación de la cadena

El caudal de alimentación de la bomba de aceite puede ajustarse con el tornillo de ajuste. La cantidad de aceite puede ajustarse usando la llave universal.



► 1. Tornillo de ajuste

MONTAJE

⚠PRECAUCIÓN: Asegúrese siempre de que la herramienta esté apagada y el cartucho de batería haya sido extraído antes de realizar cualquier trabajo en la misma.

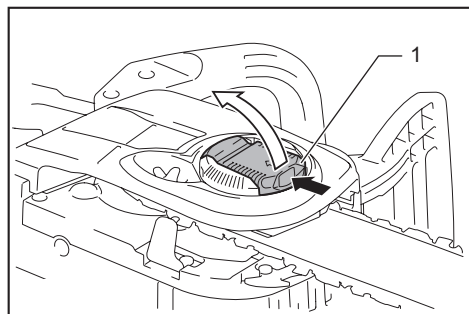
⚠PRECAUCIÓN: No toque la cadena de la sierra con las manos descubiertas. Siempre use guantes al manipular la cadena de la sierra.

Extracción o instalación de la cadena de la sierra

⚠PRECAUCIÓN: La cadena de la sierra y la barra de guía siguen estando calientes justo después de la operación. Permita que se enfríen lo suficiente antes de realizar cualquier trabajo en la herramienta.

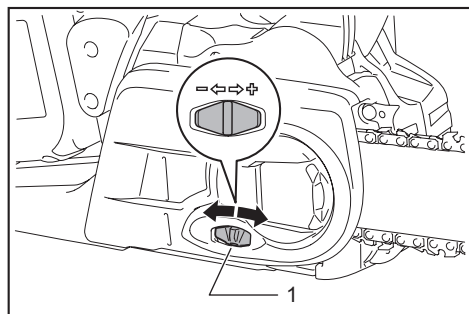
Para extraer la cadena de la sierra, siga los pasos a continuación:

1. Jale la palanca hacia arriba mientras presiona su borde.



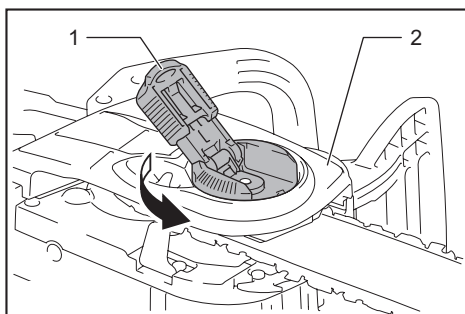
► 1. Palanca

2. Gire el dial de ajuste hacia la dirección “-” para liberar la tensión de la cadena de la sierra.



► 1. Dial de ajuste

3. Gire la palanca en sentido inverso al de las manecillas del reloj hasta que la cubierta de la pieza dentada se desprenda.



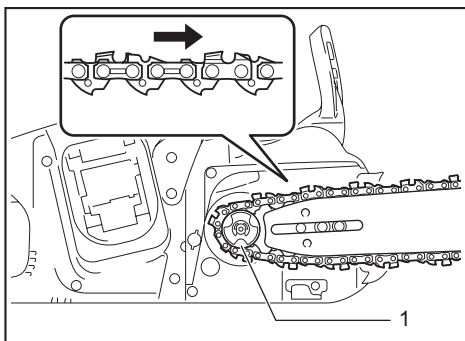
► 1. Palanca 2. Cubierta de la pieza dentada

4. Retire la cubierta de la pieza dentada y luego extraiga la cadena de la sierra y la barra de guía del cuerpo de la sierra eléctrica.

Para instalar la cadena de la sierra, realice los siguientes pasos:

1. Asegúrese sobre la dirección de la cadena. La marca de flecha en la cadena indica la dirección de la cadena.

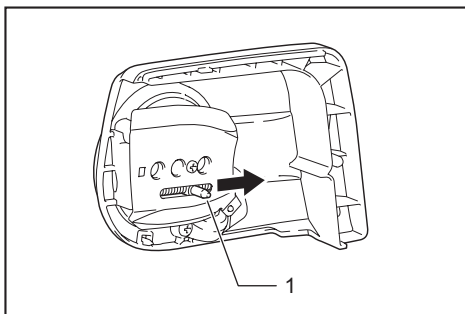
2. Coloque un extremo de la cadena de la sierra en la parte superior de la barra de guía y el otro extremo alrededor de la pieza dentada.



► 1. Pieza dentada

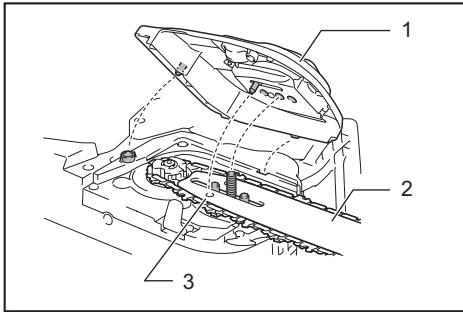
3. Apoye la barra de guía en su lugar sobre la sierra eléctrica.

4. Gire el dial de ajuste a la dirección “-” para deslizar el pasador de ajuste en la dirección de la flecha.



► 1. Pasador de ajuste

5. Coloque la cubierta de la pieza dentada en la sierra eléctrica de tal forma que el pasador de ajuste quede posicionado en el orificio pequeño en la barra de guía.

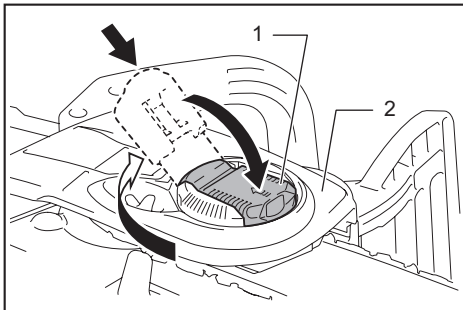


► 1. Cubierta de la pieza dentada 2. Barra de guía
3. Orificio

6. Dé un giro completo a la palanca en el sentido de las manecillas del reloj y luego un cuarto de giro en la dirección opuesta para mantener aflojada la tensión para ajustar la tensión de la cadena.

7. Gire el dial de ajuste para ajustar la tensión de la cadena.

8. Gire la palanca en el sentido de las manecillas del reloj hasta que la cubierta de la pieza dentada quede asegurada, y luego regrésela a la posición original.



► 1. Palanca 2. Cubierta de la pieza dentada

Ajuste de la tensión de la cadena de la sierra

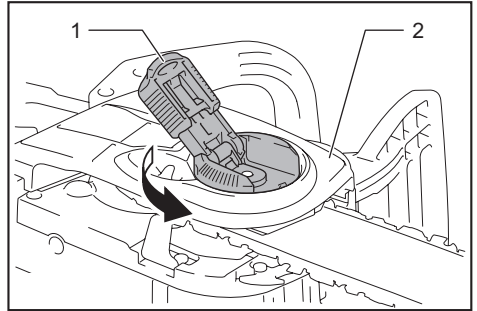
⚠PRECAUCIÓN: Realice el procedimiento de instalación o extracción de la cadena de la sierra en un lugar limpio, libre de aserrín y residuos similares.

⚠PRECAUCIÓN: No apriete demasiado la cadena de la sierra. Una tensión excesiva de la cadena de la sierra puede causar que ésta se rompa, que la barra de guía se desgaste y que el dial de ajuste se dañe.

⚠PRECAUCIÓN: Una cadena demasiado suelta puede salirse de la barra y ocasionar lesiones por accidentes.

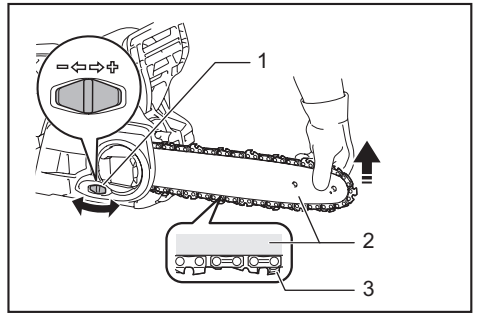
La cadena de la sierra puede aflojarse tras varias horas de uso. De vez en cuando revise la tensión de la cadena de la sierra antes de usarla.

1. Presione y abra completamente la palanca hasta que se escuche un clic. Gírela ligeramente en sentido inverso al de las manecillas del reloj para aflojar un poco la cubierta de la pieza dentada.



► 1. Palanca 2. Cubierta de la pieza dentada

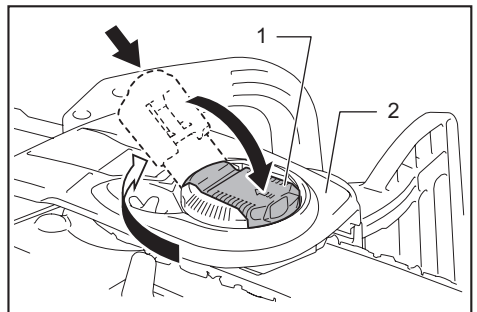
2. Levante ligeramente la punta de la barra de guía y ajuste la tensión de la cadena. Gire el dial de ajuste hacia la dirección “-” para aflojar y hacia la dirección “+” para apretar. Apriete la cadena de la sierra hasta que el lado inferior de la cadena de la sierra embone en el riel de la barra de guía, tal como se muestra en la ilustración.



► 1. Dial de ajuste 2. Barra de guía 3. Cadena de la sierra

3. Continúe sosteniendo ligeramente la barra de guía y apriete la cubierta de la pieza dentada. Asegúrese de que la cadena de la sierra no quede floja del lado inferior.

4. Regrese la palanca a la posición original.



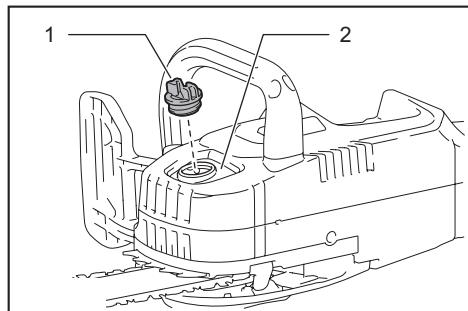
► 1. Palanca 2. Cubierta de la pieza dentada

Asegúrese de que la cadena de la sierra quede ajustada contra el lado inferior de la barra.

OPERACIÓN

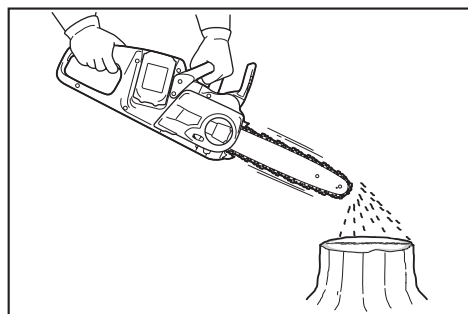
Lubricación

La cadena de la sierra se lubrica automáticamente cuando la herramienta está en funcionamiento. Verifique periódicamente la cantidad de aceite restante en el tanque de aceite. Para reabastecer el tanque, coloque la sierra eléctrica sobre su costado y retire la tapa del tanque de aceite. La cantidad correcta de aceite son 200 ml. Después de reabastecer el tanque, asegúrese de que la tapa del tanque de aceite sea apretada firmemente.



► 1. Tapa del tanque de aceite 2. Tanque de aceite (translúcido)

Después del reabastecimiento, sostenga la sierra eléctrica lejos del árbol. Póngala en marcha y espere hasta que la lubricación en la cadena de la sierra sea adecuada.



AVISO: Cuando llene el aceite para la cadena por primera vez, o al reabastecer el tanque después de haberse vaciado por completo, añada el aceite hasta el borde inferior del cuello de la abertura de suministro. De lo contrario, el suministro de aceite podría ser deficiente.

AVISO: Utilice el aceite para la cadena de la sierra exclusivamente para sierras eléctricas Makita o un aceite equivalente disponible en el mercado.

AVISO: Nunca use aceite que tenga polvo y partículas, ni aceite volátil.

AVISO: Cuando pade árboles, use aceite vegetal. El aceite mineral puede dañar los árboles.

AVISO: Antes de la operación de corte, asegúrese de que la tapa del tanque de aceite provista se encuentre atornillada en su lugar.

OPERACIÓN DE LA SIERRA ELÉCTRICA

⚠PRECAUCIÓN: El usuario sin experiencia deberá, como práctica mínima, cortar leña sobre un caballete o base.

⚠PRECAUCIÓN: Al aserrar madera precortada, utilice un apoyo seguro (como un caballete o base). No utilice su pie para mantener la pieza de trabajo fija, ni permita que alguien más la sostenga o mantenga firme.

⚠PRECAUCIÓN: Fije las piezas redondas para que no giren.

⚠PRECAUCIÓN: Mantenga todas las partes del cuerpo alejadas de la cadena de la sierra cuando el motor esté funcionando.

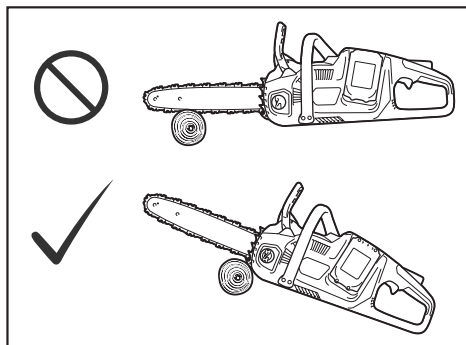
⚠PRECAUCIÓN: Sostenga la sierra eléctrica firmemente con ambas manos cuando el motor esté en marcha.

⚠PRECAUCIÓN: No utilice la herramienta donde no alcance. Pise firmemente y mantenga el equilibrio en todo momento.

AVISO: Nunca tire ni deje caer la herramienta.

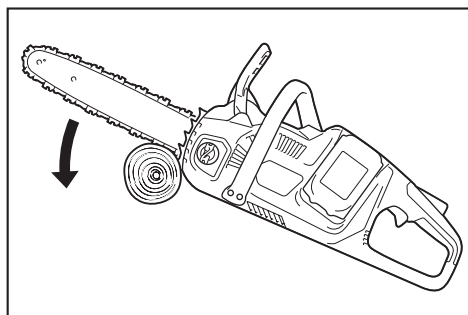
AVISO: No cubra las rejillas de ventilación de la herramienta.

Acerque el borde inferior del cuerpo de la sierra eléctrica hasta hacer contacto con la rama que va a cortar antes de encenderla. El no hacerlo podría causar que la barra de guía se tambalee provocando una lesión al operador. Corte la madera en la que va a trabajar simplemente moviendo la sierra eléctrica hacia abajo usando su propio peso.



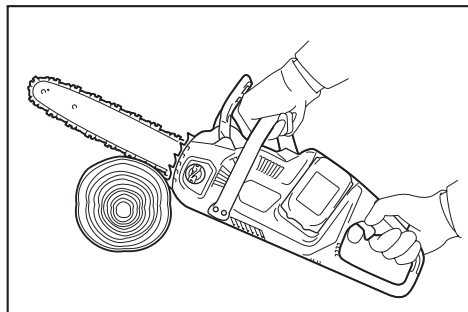
Si no es posible cortar la madera completamente con una sola pasada:

Presione levemente sobre el mango y continúe cortando haciendo retroceder la sierra eléctrica un poco; luego coloque el tope de picos un poco más abajo y termine el corte levantando el mango.



Aserrado

1. Apoye el borde inferior del cuerpo de la sierra eléctrica sobre la madera que va a cortar.

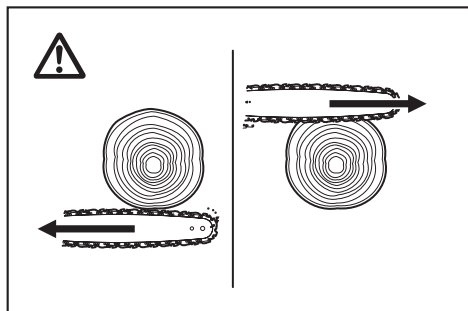


2. Con la cadena de la sierra en marcha, corte la madera usando el mango trasero para levantar la sierra y el mango delantero para guiarla. Use el tope de picos como pivote.

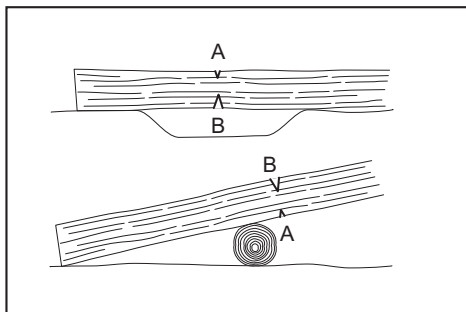
3. Continúe el corte aplicando una leve presión sobre el mango delantero, aliviando ligeramente la parte trasera de la sierra. Mueva el tope de picos todavía más abajo en la madera y vuelva a levantar el mango delantero.

AVISO: Cuando realice varios cortes, apague la sierra eléctrica entre corte y corte.

PRECAUCIÓN: Si el borde superior de la barra se usa para el corte, la sierra eléctrica puede desviarse hacia usted si la cadena llega a atascarse. Por esta razón, realice los cortes con el borde inferior de manera que la sierra se desvíe en dirección opuesta a su cuerpo.



Cuando corte madera que esté bajo tensión, corte primero el lado presionado (A). Luego realice el corte final desde el lado tensionado (B). Esto evitará que la barra quede atascada.



Desmembrado

PRECAUCIÓN: El desmembrado solo deberá ser realizado por personas capacitadas. Puede presentarse algún peligro debido al riesgo de un retroceso brusco.

Al desmembrar, apoye la sierra eléctrica sobre el tronco de ser posible. No realice cortes con la punta de la barra, ya que esto representa riesgo de un retroceso brusco.

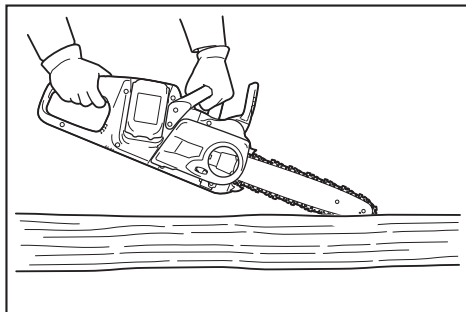
Ponga especial atención a las ramas que estén tensionadas. No corte ramas que no estén apoyadas por debajo.

No se pare sobre el tronco talado al estar desmembrando.

Excavación y cortes en paralelo al grano

PRECAUCIÓN: La excavación y los cortes en paralelo al grano solo podrán ser efectuados por personas especialmente capacitadas. La posibilidad de un retroceso brusco representa un riesgo de lesión.

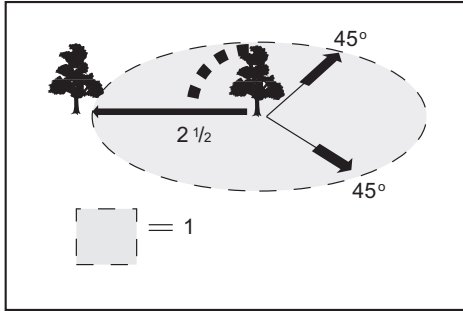
Realice los cortes en paralelo al grano a un ángulo tan superficial como sea posible. Tenga extrema precaución al realizar el corte, ya que no se puede utilizar el tope de picos.



Talado

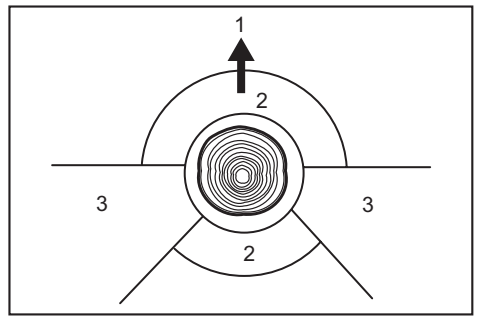
⚠️ PRECAUCIÓN: El talado solo deberá ser realizado por personas capacitadas. Este trabajo es peligroso.

Cumpla con los reglamentos locales si desea talar un árbol.



► 1. Área de talado

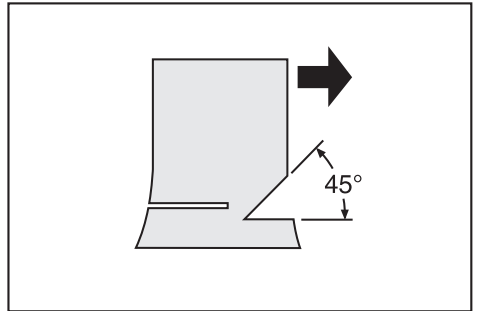
- Antes de comenzar un trabajo de talado, asegúrese de que:
 - Sólo las personas involucradas en la operación de talado se encuentren en la proximidad;
 - Cualquier persona involucrada cuente con una ruta despejada de retirada dentro de un rango de aproximadamente 45° en cada lado del eje de talado. Considere el riesgo adicional de tropezar con cables eléctricos;
 - La base del tronco esté libre de objetos extraños, raíces y ramas;
 - No haya personas ni objetos en una distancia equivalente a $2\frac{1}{2}$ la longitud del árbol en la dirección en la cual será derribado el árbol.
- Considere lo siguiente en lo que respecta a cada árbol:
 - Dirección de inclinación;
 - Ramas sueltas o secas;
 - Altura del árbol;
 - Proyección natural;
 - Si el árbol está o no podrido.
- Considere la velocidad y dirección del viento. No realice operaciones de talado si el viento sopla fuertemente.
- Podado de raíces protuberantes: Comience con las protuberancias más grandes. Realice el corte vertical primero y luego el corte horizontal.
- Ubíquese a un costado del árbol que está por caer. Mantenga el área despejada por detrás del árbol que está por caer hasta un ángulo de 45° en cada lado del eje del árbol (consulte la ilustración de "Área de talado"). Ponga atención a las ramas que estén cayendo.
- Se debe planificar una ruta de escape que esté despejada según se requiera antes de iniciar los cortes. La ruta de escape deberá extenderse hacia atrás y en forma diagonal a la parte trasera de la línea de caída esperada, tal como se muestra en la ilustración.



► 1. Dirección de talado 2. Zona de peligro 3. Ruta de escape

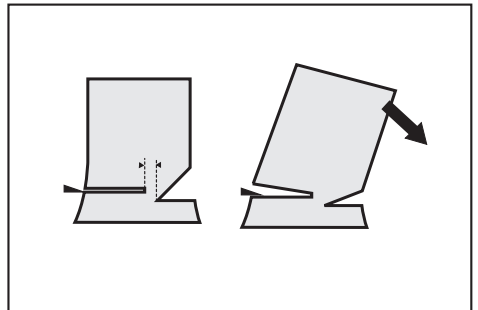
Cuando realice el talado de árboles, siga los procedimientos a continuación:

1. Corte la hendidura tan cerca del suelo como sea posible. Primero realice el corte horizontal con una profundidad de 1/5-1/3 del diámetro del tronco. Evite hacer la hendidura demasiado grande. Luego realice el corte diagonal.



NOTA: La hendidura determina la dirección en la cual el árbol caerá, sirviendo de guía. Se realiza sobre el lado hacia el cual el árbol caerá.

2. Haga el corte trasero un poco más arriba de la base del corte de la hendidura. El corte trasero deberá ser exactamente horizontal. Deje aproximadamente 1/10 de diámetro del tronco entre el corte trasero y la hendidura. Las fibras de la madera en el tronco aún si cortar actuarán como una bisagra. Inserte cuñas en el corte trasero en el momento oportuno.

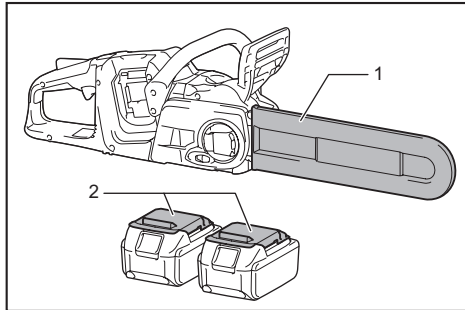


⚠ADVERTENCIA: No corte directamente a través de las fibras bajo ninguna circunstancia. De lo contrario, el árbol caerá desenfundadamente.

AVISO: Sólo se deben usar cuñas de plástico o aluminio para mantener el corte trasero abierto. El uso de cuñas de hierro está prohibido.

Transporte de la herramienta

Antes de transportar la herramienta, accione siempre el freno de la cadena y retire los cartuchos de batería de la herramienta. Luego instale la cubierta de la barra de guía. Asimismo, cubra el cartucho de batería con la cubierta de la batería.



▶ 1. Cubierta de la barra de guía 2. Cubierta de la batería

MANTENIMIENTO

⚠PRECAUCIÓN: Asegúrese siempre de que la herramienta esté apagada y el cartucho de batería extraído antes de intentar realizar una inspección o mantenimiento.

⚠PRECAUCIÓN: Siempre use guantes cuando realice cualquier trabajo de inspección o mantenimiento.

AVISO: Nunca use gasolina, bencina, diluyente (tíner), alcohol o sustancias similares. Puede que esto ocasione grietas o descoloramiento.

Afilado de la cadena de la sierra

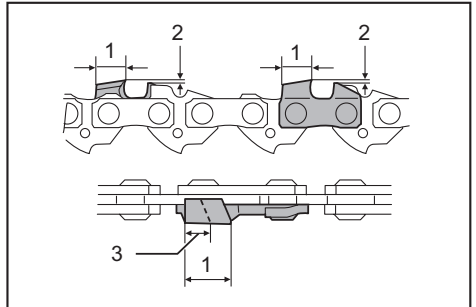
Afile la cadena de la sierra cuando:

- Se produzca aserrín con consistencia harinosa al cortar madera húmeda;
- La sierra penetre la madera con dificultad, incluso al aplicar una gran presión;
- El borde de corte esté evidentemente dañado;
- La sierra se desvíe hacia la izquierda o la derecha en la madera. (a causa de un afilado no uniforme de la cadena de la sierra o daño en sólo uno de los lados)

Afile la cadena de la sierra con frecuencia pero sólo un poco cada vez. Por lo general sólo dos o tres pasadas con una lima son suficientes para un reafilado de rutina. Cuando la cadena de la sierra haya sido reafilada varias veces, llévala a afilar a nuestro centro de servicio autorizado.

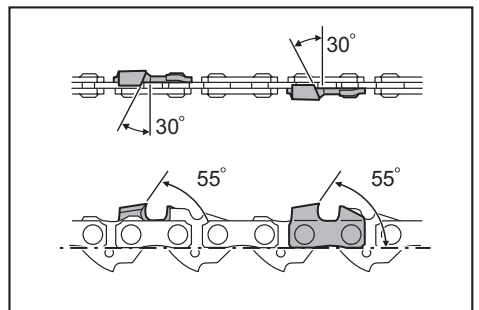
Criterios de afilado:

⚠ADVERTENCIA: Una distancia excesiva entre el borde de corte y el calibrador de profundidad aumenta el riesgo de un retroceso brusco.



▶ 1. Longitud de la parte cortadora 2. Distancia entre el borde de corte y el calibrador de profundidad 3. Longitud mínima de la parte cortadora (3 mm)

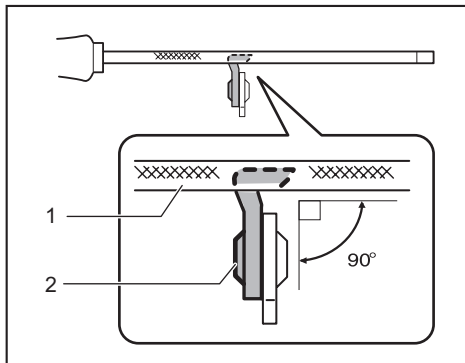
- Todas las partes cortadoras deberán tener la misma longitud. El que las partes cortadoras tengan diferentes longitudes impide que la cadena de la sierra se accione fácilmente y puede ocasionar que ésta se rompa.
- No afile la cadena cuando la longitud de la parte cortadora haya alcanzado 3 mm o menos. La cadena deberá ser reemplazada con una nueva.
- El grosor de las virutas es determinado por la distancia entre el calibrador de profundidad (nariz redonda) y el borde de corte.
- Los mejores resultados de corte se obtienen con la distancia siguiente entre el borde de corte y el calibrador de profundidad.
 - Cuchilla de la cadena 90PX: 0,65 mm (0,025")
 - Cuchilla de la cadena 91PX: 0,65 mm (0,025")



- El ángulo de afilado de 30° deberá ser el mismo en todas las partes cortadoras. Las diferencias de ángulos en las partes cortadoras causan que la cadena corra de forma brusca e irregular, acelera el desgaste y provocan la rotura de la cadena.
- Utilice una lima redonda adecuada de manera que el ángulo de afilado correcto se mantenga contra el diente.
 - Cuchilla de la cadena 90PX: 55°
 - Cuchilla de la cadena 91PX: 55°

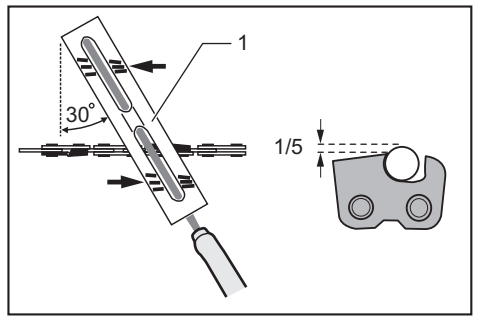
Lima y guiado del limado

- Use una lima redonda especial (accesorio opcional) para cadenas de la sierra para afilar la cadena. Las limas redondas comunes no son apropiadas.
- El diámetro de la lima redonda para cada cadena de la sierra es:
 - Cuchilla de la cadena 90PX: 4,5 mm (3/16")
 - Cuchilla de la cadena 91PX: 4,0 mm (5/32")
- La lima sólo deberá embonar en la parte cortadora en la pasada hacia adelante. Levante la lima para alejarla de la parte cortadora en la pasada de regreso.
- Afile la parte cortadora más pequeña primero. Después la longitud de esta parte más pequeña se volverá el estándar para todas las demás partes cortadoras en la cadena de la sierra.
- Guíe la lima tal como se muestra en la ilustración.



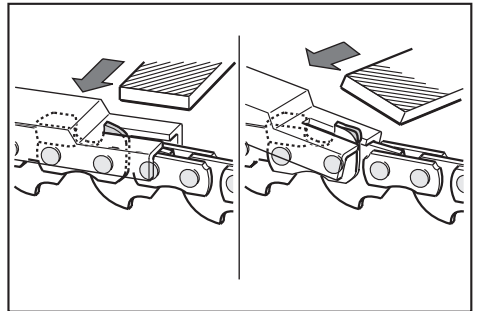
► 1. Lima 2. Cadena de la sierra

- La lima puede guiarse más fácilmente si se emplea un sujetador de limas (accesorio opcional). El sujetador de limas cuenta con marcas para el ángulo de afilado correcto de 30° (alinee las marcas paralelas a la cadena de la sierra) y limita la profundidad de penetración (a 4/5 del diámetro de la lima).



► 1. Sujetador de limas

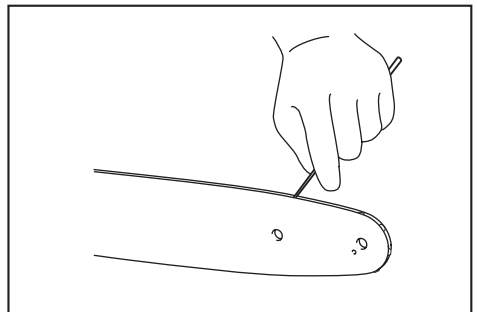
- Tras el afilado de la cadena, verifique la altura del calibrador de profundidad usando la herramienta de calibración de la cadena (accesorio opcional).



- Elimine cualquier material protuberante, independiente de cuán pequeño sea, con una lima plana especial (accesorio opcional).
- Redondee la parte delantera del calibrador de profundidad de nuevo.

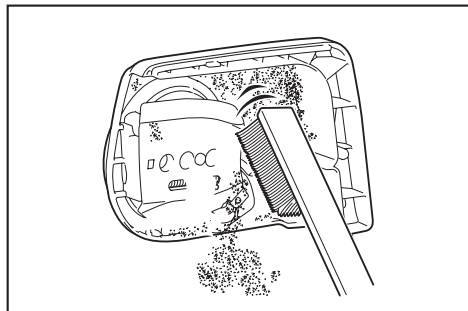
Limpieza de la barra de guía

En la ranura de la barra de guía se acumularán astillas y aserrín. Éstas pueden obstruir la ranura de la barra y afectar el flujo de aceite. Limpie las astillas y el aserrín cada vez que afile o reemplace la cadena de la sierra.



Limpieza de la cubierta de la pieza dentada

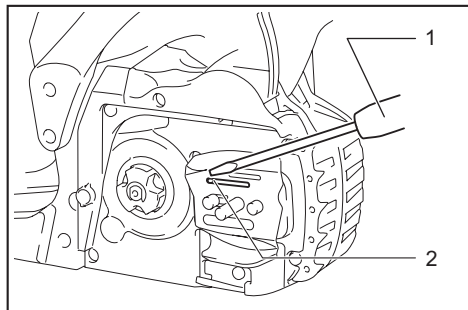
En el interior de la cubierta de la pieza dentada se acumularán astillas y aserrín. Retire la cubierta de la pieza dentada y la cadena de la sierra de la herramienta y luego limpie las astillas y el aserrín.



Limpieza del orificio de descarga de aceite

En el orificio de descarga de aceite se pueden acumular polvo y pequeñas partículas durante la operación. Este polvo o partículas pueden afectar el flujo de aceite y causar una lubricación insuficiente en toda la cadena de la sierra. Cuando haya un suministro deficiente de aceite en la parte superior de la barra de guía, limpie el orificio de descarga de aceite como se indica a continuación.

1. Retire la cubierta de la pieza dentada y la cadena de la sierra de la herramienta.
2. Elimine el polvo y las pequeñas partículas usando un destornillador plano con un eje delgado o similar.



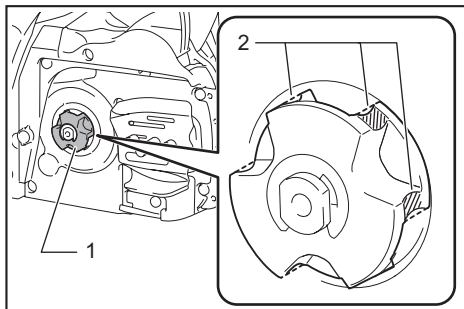
- 1. Destornillador plano 2. Orificio de descarga de aceite

3. Inserte el cartucho de batería en la herramienta. Jale el gatillo interruptor para eliminar la acumulación de polvo o partículas del orificio de descarga de aceite descargando el aceite de la cadena.
4. Retire el cartucho de batería de la herramienta. Reinstale la cubierta de la pieza dentada y la cadena de la sierra en la herramienta.

Reemplazo de la pieza dentada

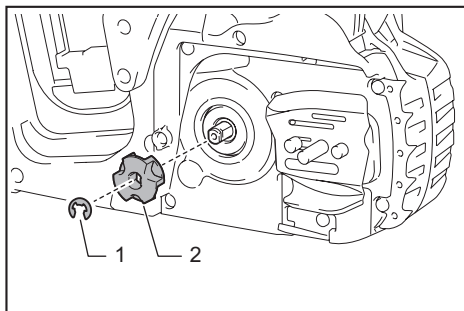
PRECAUCIÓN: Una pieza dentada desgastada dañará una cadena nueva de la sierra. En este caso, reemplace la pieza dentada.

Antes de instalar una nueva cadena de la sierra, verifique la condición de la pieza dentada.



- 1. Pieza dentada 2. Áreas a desgastarse

Instale siempre un anillo de bloqueo nuevo cuando reemplace la pieza dentada.



- 1. Anillo de bloqueo 2. Pieza dentada

AVISO: Asegúrese de que la pieza dentada sea instalada tal como se muestra en la ilustración.

Almacenamiento de la herramienta

1. Limpie la herramienta antes de almacenarla. Retire cualquier astilla y aserrín de la herramienta después de quitar la cubierta de la pieza dentada.
2. Después de limpiar la herramienta, hágala funcionar sin carga para lubricar la cadena de la sierra y la barra de guía.
3. Cubra la barra de guía con la cubierta de la barra de guía.
4. Vacíe el tanque de aceite.

Instrucciones para el mantenimiento periódico

Para asegurar una vida útil prolongada, prevenga el daño y asegure un funcionamiento total de las funciones de seguridad, efectuando el siguiente programa de mantenimiento de forma periódica. Las reclamaciones de garantía podrán ser reconocidas solamente si este programa de mantenimiento es realizado periódicamente y como corresponde. ¡El no seguir el programa de mantenimiento indicado puede provocar accidentes! El usuario de la sierra eléctrica no deberá realizar ningún trabajo de mantenimiento que no esté descrito en el manual de instrucciones. Todo este tipo de trabajo deberá ser realizado por nuestro centro de servicio autorizado.

Elemento a revisar / Tiempo de operación		Antes de la operación	Diariamente	Semanalmente	Cada 3 meses	Anualmente	Antes del almacenamiento
Sierra eléctrica	Inspección.	✓	-	-	-	-	-
	Limpieza.	-	✓	-	-	-	-
	Inspección en el centro de servicio autorizado.	-	-	-	-	✓	✓
Cadena de la sierra	Inspección.	✓	-	-	-	-	-
	Afilamiento en caso necesario.	-	-	-	-	-	✓
Barra de guía	Inspección.	✓	✓	-	-	-	-
	Retirar de la sierra eléctrica.	-	-	-	-	-	✓
Freno de la cadena	Revisar el funcionamiento.	✓	-	-	-	-	-
	Hacer que lo inspeccionen regularmente en el centro de servicio autorizado.	-	-	-	✓	-	-
Lubricación de la cadena	Revisar el caudal de alimentación de aceite.	✓	-	-	-	-	-
Gatillo interruptor	Inspección.	✓	-	-	-	-	-
Palanca de desbloqueo	Inspección.	✓	-	-	-	-	-
Tapa del tanque de aceite	Revisar que esté bien apretado.	✓	-	-	-	-	-
Receptor de la cadena	Inspección.	-	-	✓	-	-	-
Tornillos y tuercas	Inspección.	-	-	✓	-	-	-

Para mantener la SEGURIDAD y FIABILIDAD del producto, las reparaciones, y cualquier otra tarea de mantenimiento o ajuste deberán ser realizadas en centros de servicio autorizados o de fábrica Makita, empleando siempre repuestos Makita.

RESOLUCIÓN DE PROBLEMAS

Antes de solicitar alguna reparación, primero realice una inspección por su cuenta. Si detecta algún problema que no esté explicado en el manual, no intente desensamblar la herramienta. En vez de esto, solicite la reparación a un centro de servicio autorizado de Makita, usando siempre piezas de repuesto Makita.

Estado de la avería	Causa	Solución
La sierra eléctrica no arranca.	Dos cartuchos de batería no han sido instalados.	Instale dos cartuchos de batería cargados.
	Problema con la batería (bajo voltaje).	Recargue los cartuchos de batería. Si la recarga no resulta eficaz, reemplace el cartucho de batería.
	El interruptor de alimentación principal está apagado.	La sierra eléctrica se apagará automáticamente si ésta no es operada durante un período determinado. Encienda el interruptor de alimentación principal nuevamente.
La cadena de la sierra no funciona.	El freno de la cadena está activado.	Libere el freno de la cadena.
El motor deja de funcionar al poco tiempo de uso.	El nivel de carga de la batería es bajo.	Recargue los cartuchos de batería. Si la recarga no resulta eficaz, reemplace el cartucho de batería.
La cadena no tiene aceite.	El tanque de aceite está vacío.	Llene el tanque de aceite.
	La ranura de la guía de aceite está sucia.	Limpie la ranura.
	Suministro de aceite deficiente.	Ajuste la cantidad de suministro de aceite con el tornillo de ajuste.
La sierra eléctrica no alcanza el nivel máximo de RPM.	El cartucho de batería está instalado incorrectamente.	Instale los cartuchos de batería tal como se describe en este manual.
	La potencia de la batería está disminuyendo.	Recargue los cartuchos de batería. Si la recarga no resulta eficaz, reemplace el cartucho de batería.
	El sistema de accionamiento no funciona correctamente.	Solicite la reparación en el centro de servicio autorizado de su región.
La lámpara de alimentación principal está parpadeando.	El gatillo interruptor es jalado bajo una condición inoperable.	Jale el gatillo interruptor una vez que el interruptor de alimentación principal se haya encendido y el freno de la cadena se haya liberado.
La cadena no se detiene aun cuando el freno de la cadena ha sido activado: ¡Detenga la máquina de inmediato!	La banda del freno está desgastada.	Solicite la reparación en el centro de servicio autorizado de su región.
Vibración anormal: ¡Detenga la máquina de inmediato!	La barra de guía o la cadena de la sierra están sueltas.	Ajuste la barra de guía o la tensión de la cadena de la sierra.
	Avería de la herramienta.	Solicite la reparación en el centro de servicio autorizado de su región.

ACCESORIOS OPCIONALES

⚠PRECAUCIÓN: Estos accesorios o aditamentos están recomendados para utilizarse con su herramienta Makita especificada en este manual. El empleo de cualquier otro accesorio o aditamento puede conllevar el riesgo de lesiones personales. Utilice los accesorios o aditamentos solamente para su fin establecido.

Si necesita cualquier ayuda para más detalles en relación con estos accesorios, pregunte a su centro de servicio local Makita.

- Cadena de la sierra
- Barra de guía
- Cubierta de la barra de guía
- Lima
- Bolsa de herramientas
- Batería y cargador originales de Makita

⚠ADVERTENCIA: Si usted adquiere una barra de guía de una longitud distinta a la de la barra de guía estándar, también adquiera junto con ésta una cubierta de la barra de guía adecuada. Ésta debe quedarle y cubrir completamente a la barra de guía en la sierra eléctrica.

NOTA: Algunos de los artículos en la lista pueden incluirse en el paquete de la herramienta como accesorios estándar. Éstos pueden variar de país a país.

GARANTÍA LIMITADA DE UN AÑO DE MAKITA

Ésta Garantía no aplica para México Política de garantía

Cada herramienta Makita es inspeccionada y probada exhaustivamente antes de salir de la fábrica. Se garantiza que está libre de defectos de mano de obra y materiales por el período de UN AÑO a partir de la fecha original de compra. Si durante este período de un año se desarrollara algún problema, devuelva la herramienta COMPLETA, con el envío prepagado, a un centro de servicio autorizado o de fábrica Makita. Si la inspección muestra que el problema ha sido a causa de un defecto de mano de obra o material, Makita hará la reparación (o a su discreción, el reemplazo) sin ningún cargo.

Esta garantía no aplica cuando:

- las reparaciones se hayan hecho o intentado hacer por otros;
- se requieran reparaciones debido al desgaste normal;
- la herramienta haya sido maltratada, recibido un mal uso o haya recibido un mantenimiento inapropiado;
- se hayan hecho modificaciones a la herramienta.

EN NINGÚN CASO MAKITA SE HARÁ RESPONSABLE DE NINGÚN DAÑO INDIRECTO, INCIDENTAL, O DERIVADO DE LA VENTA O USO DEL PRODUCTO. ESTE DESCARGO DE RESPONSABILIDAD APLICA DURANTE Y DESPUÉS DEL PLAZO DE ESTA GARANTÍA. MAKITA RENUNCIA A LA RESPONSABILIDAD POR CUALQUIER GARANTÍA IMPLÍCITA, INCLUYENDO GARANTÍAS DE "COMERCIABILIDAD" Y "ADECUACIÓN PARA UN PROPÓSITO ESPECÍFICO", DESPUÉS DEL PLAZO DE UN AÑO DE ESTA GARANTÍA.

Esta garantía le concede derechos legales específicos y usted podrá tener también otros derechos que varían de un estado a otro. Algunos estados no permiten la exclusión o limitación de daños incidentales o consecuentes, por lo que la limitación o exclusión arriba mencionada podría no aplicar para usted. Algunos estados no permiten la limitación sobre la duración de una garantía implícita, por lo que la limitación arriba mencionada podría no aplicar para usted.

< USA only >

WARNING

Some dust created by power sanding, sawing, grinding, drilling, and other construction activities contains chemicals known to the State of California to cause cancer, birth defects or other reproductive harm. Some examples of these chemicals are:

- lead from lead-based paints,
- crystalline silica from bricks and cement and other masonry products, and
- arsenic and chromium from chemically-treated lumber.

Your risk from these exposures varies, depending on how often you do this type of work. To reduce your exposure to these chemicals: work in a well ventilated area, and work with approved safety equipment, such as those dust masks that are specially designed to filter out microscopic particles.

< Sólo en los Estados Unidos >

ADVERTENCIA

Algunos polvos creados por el lijado, aserrado, esmerilado, taladrado y otras actividades de la construcción contienen sustancias químicas reconocidas por el Estado de California como causantes de cáncer, defectos de nacimiento y otros peligros de reproducción. Algunos ejemplos de estos productos químicos son:

- plomo de pinturas a base de plomo,
- sílice cristalino de ladrillos y cemento y otros productos de albañilería, y
- arsénico y cromo de maderas tratadas químicamente.

El riesgo al que se expone varía, dependiendo de la frecuencia con la que realice este tipo de trabajo. Para reducir la exposición a estos productos químicos: trabaje en un área bien ventilada y póngase el equipo de seguridad indicado, tal como las máscaras contra polvo que están especialmente diseñadas para filtrar partículas microscópicas.

Makita Corporation

3-11-8, Sumiyoshi-cho,
Anjo, Aichi 446-8502 Japan

www.makita.com

885537B943
XCU03-2
EN, ESMX