

REMINGTON®

Operator's Manual

Electric Chain Saw

RM1645

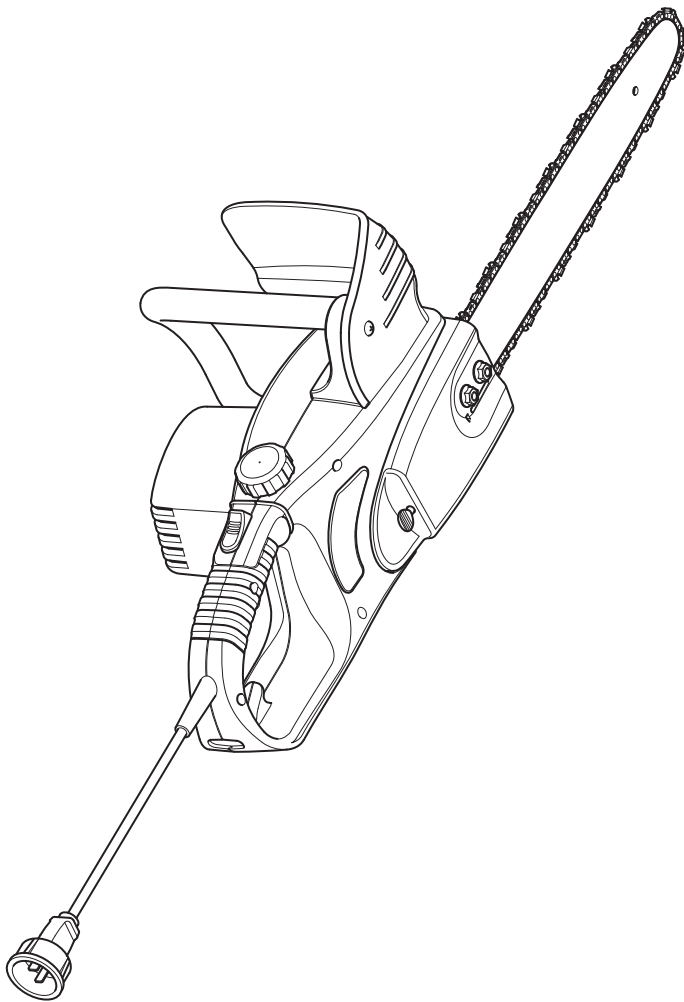


TABLE OF CONTENTS

Service	1
Safety	2
Know Your Unit	9
Essential Terms and Definitions	10
Specifications	11
Assembly	12
Starting and Stopping	13
Operation	14
Maintenance	20
Cleaning and Storage	26
Troubleshooting	27
Warranty	28

SAVE THESE INSTRUCTIONS

SERVICE

DO NOT RETURN THIS UNIT TO THE RETAILER. PROOF OF PURCHASE WILL BE REQUIRED FOR WARRANTY SERVICE.

For assistance regarding the assembly, controls, operation or maintenance of the unit, please call the Customer Support Department at **1-866-206-2707** in the United States or **1-877-696-5533** in Canada. Additional information about the unit can be found on our website at **www.remingtonpowertools.com**.

For service, please call the Customer Support Department to obtain a list of authorized service dealers near you. Service on this unit, both within and after the warranty period, should only be performed by an authorized and approved service dealer. When servicing, use only identical replacement parts.

All information, illustrations, and specifications in this manual are based on the latest product information available at the time of printing. We reserve the right to make changes at any time without notice.

The product may vary slightly from the illustrations contained in this manual.

Copyright© 2015 MTD SOUTHWEST INC, All Rights Reserved.

IMPORTANT: Read this manual thoroughly before using this product. Follow all instructions.

SAFETY

The purpose of safety symbols is to attract your attention to possible dangers. The safety symbols, and their explanations, deserve your careful attention and understanding. The safety warnings do not by themselves eliminate any danger. The instructions or warnings they give are not substitutes for proper accident prevention measures.

SYMBOL MEANING

 **DANGER:** Signals an EXTREME hazard. Failure to obey a safety **DANGER** signal **WILL** result in serious injury or death to yourself or to others.

 **WARNING:** Signals a SERIOUS hazard. Failure to obey a safety **WARNING** signal **CAN** result in serious injury to yourself or to others.

 **CAUTION:** Signals a MODERATE hazard. Failure to obey a safety **CAUTION** signal **MAY** result in property damage or injury to yourself or to others.

NOTE: Advises you of information or instructions vital to the operation or maintenance of the equipment.



CALIFORNIA PROPOSITION 65

WARNING: This product contains a chemical known to the State of California to cause cancer, birth defects or other reproductive harm.

Read the operator's manual and follow all warnings and safety instructions. Failure to do so can result in serious injury to the operator and/or bystanders.

• IMPORTANT SAFETY INSTRUCTIONS •

GENERAL POWER TOOL SAFETY WARNINGS

 **WARNING:** Read all safety warnings and all instructions. Failure to follow the warnings and instructions may result in electric shock, fire and/or serious injury.

Save all warnings and instructions for future reference.

The term "power tool" in the warnings refers to your mains-operated (corded) power tool or battery-operated (cordless) power tool.

1) Work Area Safety

- Keep work area clean and well lit. Cluttered or dark areas invite accidents.
- Do not operate power tools in explosive atmospheres, such as in the presence of flammable liquids, gases or dust. Power tools create sparks which may ignite the dust or fumes.
- Keep children and bystanders away while operating a power tool. Distractions can cause you to lose control.

2) Electrical Safety

- Power tool plugs must match the outlet. Never modify the plug in any way. Do not use any adapter plugs with earthed (grounded) power tools. Unmodified plugs and matching outlets will reduce risk of electric shock.
- Avoid body contact with earthed or grounded surfaces such as pipes, radiators, ranges and refrigerators. There is an increased risk of electric shock if your body is earthed or grounded.
- Do not expose power tools to rain or wet conditions. Water entering a power tool will increase the risk of electric shock.

- Do not abuse the cord. Never use the cord for carrying, pulling or unplugging the power tool. Keep cord away from heat, oil, sharp edges or moving parts. Damaged or entangled cords increase the risk of electric shock.
- When operating a power tool outdoors, use an extension cord suitable for outdoor use. Use of a cord suitable for outdoor use reduces the risk of electric shock.
- If operating a power tool in a damp location is unavoidable, use a ground fault circuit interrupter (GFCI) protected supply. Use of a GFCI reduces the risk of electric shock.

3) Personal Safety

- Stay alert, watch what you are doing and use common sense when operating a power tool. Do not use a power tool while you are tired or under the influence of drugs, alcohol or medication. A moment of inattention while operating power tools may result in serious personal injury.
- Use personal protective equipment. Always wear eye protection. Protective equipment such as dust mask, non-skid safety shoes, hard hat, or hearing protection used for appropriate conditions will reduce personal injuries.
- Prevent unintentional starting. Ensure the switch is in the off-position before connecting to power source and/or battery pack, picking up or carrying the tool. Carrying power tools with your finger on the switch or energizing power tools that have the switch on invites accidents.
- Remove any adjusting key or wrench before turning the power tool on. A wrench or a key left attached to a rotating part of the power tool may result in personal injury.
- Do not overreach. Keep proper footing and balance at all times. This enables better control of the power tool in unexpected situations.

- f) **Dress properly. Do not wear loose clothing or jewelry. Keep your hair, clothing and gloves away from moving parts.** *Loose clothes, jewelry or long hair can be caught in moving parts.*
- g) **If devices are provided for the connection of dust extraction and collection facilities, ensure these are connected and properly used.** *Use of dust collection can reduce dust-related hazards.*

4) Power Tool Use and Care

- a) **Do not force the power tool. Use the correct power tool for your application.** *The correct power tool will do the job better and safer at the rate for which it was designed.*
- b) **Do not use the power tool if the switch does not turn it on and off.** *Any power tool that cannot be controlled with the switch is dangerous and must be repaired.*
- c) **Disconnect the plug from the power source and/or the battery pack from the power tool before making any adjustments, changing accessories, or storing power tools.** *Such preventive safety measures reduce the risk of starting the power tool accidentally.*
- d) **Store idle power tools out of the reach of children and do not allow persons unfamiliar with the power tool or these instructions to operate the power tool.** *Power tools are dangerous in the hands of untrained users.*
- e) **Maintain power tools. Check for misalignment or binding of moving parts, breakage of parts and any other condition that may affect the power tool's operation. If damaged, have the power tool repaired before use.** *Many accidents are caused by poorly maintained power tools.*
- f) **Keep cutting tools sharp and clean.** *Properly maintained cutting tools with sharp cutting edges are less likely to bind and are easier to control.*
- g) **Use the power tool, accessories and tool bits etc. in accordance with these instructions, taking into account the working conditions and the work to be performed.** *Use of the power tool for operations different from those intended could result in a hazardous situation.*

5) Service

- a) **Have your power tool serviced by a qualified repair person using only identical replacement parts.** *This will ensure that the safety of the power tool is maintained.*

Chain saw safety warnings:

- **Keep all parts of the body away from the saw chain when the chain saw is operating. Before you start the chain saw, make sure the saw chain is not contacting anything.** *A moment of inattention while operating chain saws may cause entanglement of your clothing or body with the saw chain.*
- **Always hold the chain saw with your right hand on the rear handle and your left hand on the front handle.** *Holding the chain saw with a reversed hand configuration increases the risk of personal injury and should never be done.*
- **Hold the power tool by insulated gripping surfaces only, because the saw chain may contact hidden wiring or its own cord.** *Saw chains contacting a "live" wire may make exposed metal parts of the power tool "live" and could give the operator an electric shock.*
- **Wear safety glasses and hearing protection. Further protective equipment for head, hands, legs and feet is recommended.** *Adequate protective clothing will reduce personal injury by flying debris or accidental contact with the saw chain.*

- **Do not operate a chain saw in a tree.** *Operation of a chain saw while up in a tree may result in personal injury.*
- **Always keep proper footing and operate the chain saw only when standing on fixed, secure and level surface.** *Slippery or unstable surfaces such as ladders may cause a loss of balance or control of the chain saw.*
- **When cutting a limb that is under tension be alert for spring back.** *When the tension in the wood fibers is released the spring loaded limb may strike the operator and/or throw the chain saw out of control.*
- **Use extreme caution when cutting brush and saplings.** *The slender material may catch the saw chain and be whipped toward you or pull you off balance.*
- **Carry the chain saw by the front handle with the chain saw switched off and away from your body. When transporting or storing the chain saw always fit the guide bar cover.** *Proper handling of the chain saw will reduce the likelihood of accidental contact with the moving saw chain.*
- **Follow instructions for lubricating, chain tensioning and changing accessories.** *Improperly tensioned or lubricated chain may either break or increase the chance of kickback.*
- **Keep handles dry, clean, and free from oil and grease.** *Greasy, oily handles are slippery causing loss of control.*
- **Cut wood only. Do not use chain saw for purposes not intended. For example: do not use chain saw for cutting plastic, masonry or non-wood building materials.** *Use of the chain saw for operations different than intended could result in a hazardous situation.*

Causes and operator prevention of kickback:

Kickback may occur when the nose or tip of the guide bar touches an object, or when the wood closes in and pinches the saw chain in the cut.

Tip contact in some cases may cause a sudden reverse reaction, kicking the guide bar up and back towards the operator.

Pinching the saw chain along the top of the guide bar may push the guide bar rapidly back towards the operator.

Either of these reactions may cause you to lose control of the saw which could result in serious personal injury. Do not rely exclusively upon the safety devices built into your saw. As a chain saw user, you should take several steps to keep your cutting jobs free from accident or injury.

Kickback is the result of tool misuse and/or incorrect operating procedures or conditions and can be avoided by taking proper precautions as give below:

- **Maintain a firm grip, with thumbs and fingers encircling the chain saw handles, with both hands on the saw and position your body and arm to allow you to resist kickback forces.** *Kickback forces can be controlled by the operator, if proper precautions are taken. Do not let go of the chain saw.*
- **Do not overreach and do not cut above shoulder height.** *This helps prevent unintended tip contact and enables better control of the chain saw in unexpected situations.*
- **Only use replacement bars and chains specified by the manufacturer.** *Incorrect replacement bars and chains may cause chain breakage and/or kickback.*
- **Follow the manufacturer's sharpening and maintenance instructions for the saw chain.** *Decreasing the depth gauge height can lead to increased kickback.*

READ ALL INSTRUCTIONS BEFORE OPERATING




WARNING: When using the unit, all safety instructions must be followed. Please read these instructions before operating the unit in order to ensure the safety of the operator and any bystanders. Please keep these instructions for later use.

GENERAL SAFETY WARNINGS

- Read the instructions carefully. Be familiar with the controls and proper use of the unit. Know how to stop the unit and disengage the controls quickly.
- Do not operate this unit when tired, ill or under the influence of alcohol, drugs or medication.
- Never allow children to operate the unit. Never allow adults to operate the unit without proper instruction.
- All guards and safety attachments must be installed properly before operating the unit.
- Inspect the unit before use. Replace damaged parts. Make sure all fasteners are in place and secure. Replace parts that are cracked, chipped, or damaged in any way. Do not operate the unit with loose or damaged parts.
- Be aware of risk of injury to the head, hands and feet.
- Carefully inspect the area before starting the unit. Remove rocks, broken glass, nails, wire, string and other objects that may be thrown or become entangled with the unit.
- Clear the area of children, bystanders and pets; keep them outside a 50-foot (15 m) radius, at a minimum. Even then, they are still at risk from thrown objects. Encourage bystanders to wear eye protection. If you are approached, stop the unit immediately.

SAFETY WARNINGS FOR ELECTRIC UNITS

- Do not expose the unit to rain or wet conditions.
- Do not handle the unit, cords, or plugs with wet hands.
- Avoid dangerous environments. Do not operate the unit in the rain, in wet conditions or on wet surfaces. Moisture is a shock hazard.
- To reduce the risk of electric shock, avoid body contact with grounded conductors, such as metal pipes or wire fences.
- Do not operate the unit in explosive atmospheres, such as in the presence of flammable liquids, gases or dust.
- A nameplate on the unit indicates the voltage used. Never connect the unit to an AC voltage that differs from this voltage.
- Use of an improper extension cord could result in a risk of fire, electric shock or electrocution.




WARNING: To reduce the risk of electrical shock, use only extension cords approved for outdoor use, such as an extension cord of cord type SW-A, SOW-A, STW-A, STOW-A, SJW-A, SJOW-A, SJTW-W or SJTOW-A. Extension cords are available from your local retailer. Use only round-jacketed extension cords approved for outdoor use.

- Do not use multiple extension cords.
- Make sure the extension cord is heavy enough to carry the current drawn by the unit. An undersized extension cord will cause a drop in line voltage, resulting in a loss of power and overheating. If in doubt, use the next heavier gauge cord. The smaller the gauge number, the heavier the cord.

MINIMUM WIRE SIZE FOR EXTENSION CORDS FOR 120 VOLT APPLIANCES USING 12-16 AMPS				
Cord Length (ft.)	25	50	100	150
Wire Size (AWG)	14	12	*	*
*Not recommended				

- Make sure the cords are in good condition. Inspect the power cord and extension cord periodically. Look closely for deterioration, cuts or cracks in the insulation. If a cord is damaged in any manner while plugged in, disconnect the cord from both the outlet and the unit. Do not use a damaged cord. Damaged cords should be replaced or repaired by an authorized service dealer.
- Do not abuse cords. Never pull or carry the unit by a cord. Keep cords away from heat, oil, water, sharp edges, and moving objects. Always grasp the plug when disconnecting a cord.
- Never modify a plug, cord or outlet in any way.
- Ground Fault Circuit Interrupter (GFCI) protection should be provided on the circuit(s) or outlet(s) to be used with this unit. For an extra measure of safety, use receptacles with built-in GFCI protection.



WARNING: To reduce the risk of electric shock, use a Ground Fault Circuit Interrupter (GFCI) with a tripping current of 30 mA or less.

- Keep cords away from the operating area. Position cords so that they will not be caught or entangled on branches or other obstacles during operation.
- To prevent tripping, keep cords away from the operator's feet.
- Always disconnect the unit from the power source when it is not in use.
- Prevent disconnection of the power cord from the extension cord during operation by using a plug-receptacle retaining strap, connector, or by making a knot (Fig. A).

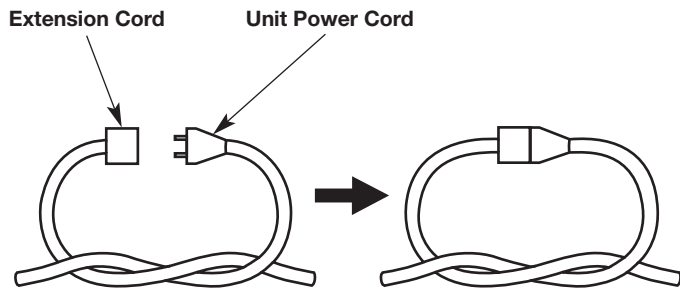


Fig. A

- To reduce the risk of electrical shock, this unit has a polarized plug (one blade is wider than the other). Polarized plugs require polarized extension cords. The plug fits into the extension cord only one way. If the plug does not fit fully into the extension cord, reverse the plug. If the plug still does not fit, obtain another polarized extension cord. Polarized extension cords require polarized wall outlets. The extension cord fits into the wall outlet only one way. If the extension cord does not fit fully into the wall outlet, reverse the plug. If the extension cord still does not fit, contact a qualified electrician to install the proper wall outlet.
- This is a double-insulated unit. Two systems of insulation are provided instead of grounding. There is no grounding provided and no means of grounding should be added to the unit. Servicing a double-insulated unit requires extreme care and knowledge of the system. Service should only be performed by authorized service personnel. Replacement parts for a double-insulated unit must be identical to the parts they replace. Failure to have a double-insulated unit repaired by an authorized service technician with identical replacement parts could result in serious injury.
- Since the unit is double-insulated, a 2-wire extension cord (one without a ground) may be used. However, a 3-wire extension cord (one with a ground) that uses a NEMA-type connector (parallel blade, U ground) is recommended.

WHILE OPERATING

- Wear safety glasses or goggles that meet current ANSI / ISEA Z87.1 standards and are marked as such. Wear ear/hearing protection when operating this unit. Wear a face mask or dust mask if the operation is dusty. Use a hard hat or other type of safety helmet.
- Wear safety boots and protective gloves. Wear heavy, snug-fitting clothes, including long pants and a long-sleeve shirt. Do not wear loose clothing, jewelry, short pants, sandals or go barefoot. Secure hair above shoulder level.
- Make sure the saw chain is not in contact with anything before starting the unit.
- Use the unit only in daylight or good artificial light.
- Avoid accidental starting. The operator and unit must be in a stable position while starting. Refer to *Starting and Stopping*.
- Use the right tool. Only use this tool for its intended purpose: to cut wood. Do not use the unit for cutting plastic, masonry or other non-wood building materials. Only use the unit as described in this manual.
- Keep all body parts away from the saw chain when the unit is running. Do not touch or try to stop moving parts.
- Do not force the unit, especially near the end of a cut. It will do a better, safer job when used at the intended rate.
- Always turn the unit off when operation is delayed, when setting the unit down or when carrying the unit from one location to another. Make sure all moving parts come to a complete stop.
- Carry the unit by the front handle, away from the body, and with the guide bar positioned to the rear. Cover the guide bar and saw chain with the scabbard when carrying the unit.
- If the unit strikes or becomes entangled with a foreign object, stop the motor immediately, disconnect the unit from the power source and allow the unit to cool. Then, check for damage. If damaged, do not restart or operate the unit until it is repaired. Do not operate the unit with loose or damaged parts.
- Use only original equipment manufacturer (OEM) replacement parts and accessories for this unit. These are available from your authorized service dealer. Use of any other parts or accessories could lead to serious injury to the user, or damage to the unit, and void the warranty.
- Keep the unit clean. Carefully remove vegetation and other debris that could block moving parts.
- If the unit starts to vibrate abnormally, stop the motor immediately, disconnect the unit from the power source and allow the unit to cool. Then, inspect the unit for the cause of the vibration. Vibration is generally an indicator of trouble.
- Keep the work area clean. Cluttered areas invite injuries. Do not start cutting until the work area is clear and free from obstructions. Make sure there is secure footing and a planned retreat path from falling trees or branches.
- Do not cut near electrical cables or power lines. Keep at least 50 feet (15 m) away from all power lines.
- For safer, more effective performance, make sure the guide bar and chain are properly cleaned, lubricated, tightened and sharpened. Check the guide bar and chain at frequent intervals for proper adjustment.
- When cutting a limb that is under tension, use extreme caution. When the tension is released, the limb could spring back and strike the operator, causing severe injury or death.
- Use extreme caution when cutting small-sized brush and saplings, as slender material may catch the saw chain and be whipped toward the operator or pull the operator off balance.

- This saw is classified by UL as a Class 2C saw in accordance with CSA Z62.1-03. It is intended for infrequent use by homeowners, cottagers and campers, and for general applications such as clearing, pruning, cutting firewood, etc. It is not intended for prolonged use. If the intended use involves prolonged periods of operation, this may cause circulatory problems in the user's hands due to vibration.
- Do not operate the unit in a tree or on a ladder unless specifically trained to do so.
- Do not use the unit in the presence of flammable liquids or gases.
- Do not attempt operations beyond the operator's capacity or experience.
- Do not operate a unit that is damaged, improperly adjusted or not completely and securely assembled. Make sure moving parts stop when the unit is turned off. Do not use the unit if it does not turn on and off properly. Have defective parts replaced by an authorized service dealer.
- Avoid starting the unit unintentionally. Make sure the lock-off button is in the locked position before connecting or disconnecting the unit and the power source. Never carry the unit with fingers on the throttle control.
- Do not use the unit if the lock-off button and throttle control do not start and stop the unit.

KICKBACK SAFETY



WARNING: Kickback may occur when the nose or tip of the guide bar touches an object, or when the wood closes in and pinches the saw chain in the cut. In some cases, tip contact may cause a lightning-fast reverse action, kicking the guide bar rapidly back towards the operator. Pinching the saw chain along the top of the guide bar may push the guide bar rapidly back towards the operator. Either of these reactions may cause a loss of control over the saw, which could result in serious injury to the user. Contact with foreign objects within the wood can also induce a loss of chain saw control.

Understanding Kickback

A basic understanding of kickback can help reduce or eliminate the element of surprise and the chance of kickback-related injury. Sudden surprise contributes to accidents.

- **Rotational Kickback** can happen when the upper tip of the guide bar contacts an object while the chain is moving (Fig. B). This can cause the chain to dig into the object and momentarily stop moving. The guide bar is then kicked up and back toward the operator in a lightning-fast reverse reaction.
- **Linear Kickback** can happen when the wood on either side of a cut closes in and pinches the moving saw chain along the top of the guide bar (Fig. C). This can cause the chain to instantly stop. The chain force is then reversed, causing the saw to move in the opposite direction, sending the saw straight back toward the operator.
- **Pull-In** can happen when the moving chain on the bottom of the guide bar hits a foreign object inside the wood. This can cause the chain to suddenly stop. The saw is then pulled forward and away from the operator, which could potentially result in the loss of control of the saw.

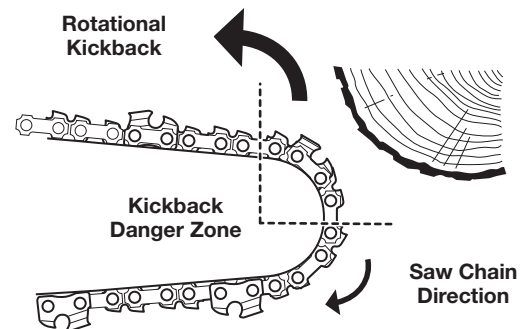


Fig. B

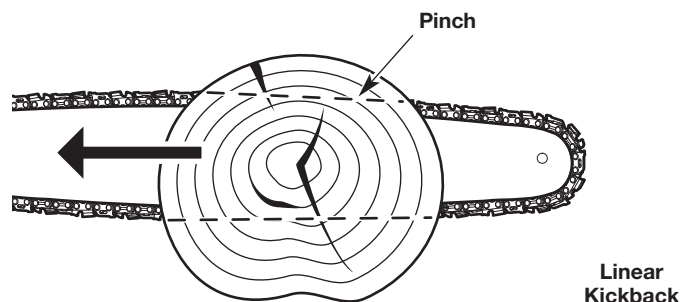


Fig. C

Kickback Safety Precautions

Take the following steps to reduce the chance of accident or injury:

- Do not rely exclusively upon the safety devices built into the unit.
- Do not cut above shoulder height.
- Do not overreach. Always keep proper footing and balance. Take extra care when working on stairs, steep slopes or inclines.
- Do not make cuts with the tip of the guide bar.
- Make sure the area of operation is free from obstructions. Do not let the tip of the guide bar contact any object, such as a log, branch, the ground or other obstruction.
- Always inspect the wood before cutting. Foreign objects could damage the unit or cause serious personal injury. Never cut through nails, metal rods, railroad ties or pallets.
- Do not operate the unit with one hand! Serious injury to the operator, helpers or bystanders may result from one-handed operation. This unit is intended for two-handed use. Always grip the unit firmly with both hands when the unit is running. Hold the front handle with the left hand and the rear handle with the right hand. Firmly encircle the handles with the thumbs and fingers. Do not let go. A firm grip will help maintain control of the unit and reduce the chance of kickback.
- Stand slightly to the left of the unit to avoid being in the direct line of the saw chain.
- Never start the saw when the guide bar is inside an existing cut. Be extremely careful when re-entering a cut.
- Always begin a cut with the unit running at full speed. Squeeze the throttle control and maintain a steady cutting speed. Slower speeds increase the chance of kickback.
- Keep the saw housing pressed firmly against the wood.
- Do not cut more than one log or branch at a time.
- Do not twist the unit when removing the guide bar from a cut.
- Watch out for shifting objects (logs, branches, etc.) that might pinch or fall onto the saw chain during operation.
- Only use wedges made of wood or plastic. Do not use metal to hold a cut open.
- Follow the manufacturer's sharpening and maintenance instructions for the saw chain.
- Only use replacement bars and chains specified by the manufacturer or the equivalent. These are available from authorized service dealers. Use of any unauthorized parts or accessories could lead to serious injury to the operator or damage to the unit and will void the warranty.
- Use devices that reduce the risks associated with kickback, such as low-kickback chains, guide bar nose guards, chain brakes and low-kickback guide bars. There are no other replacement components for achieving kickback protection in accordance with CSA Z62.3.
- A low-kickback saw chain is a chain that has met the kickback performance requirements of ANSI/OPEI B175.1-2012 when tested according to the provisions specified in ANSI/OPEI B175.1-2012. A low-kickback saw chain is a chain that is also in accordance with CSA Z62.3. Do not use a replacement saw chain unless it has met these requirements for this specific model or has been designated as a low-kickback replacement saw chain in accordance with ANSI/OPEI B175.1-2012. As saw chains are sharpened, some of the low-kickback qualities are lost and extra caution should be used.
- Do not install a bow guide on this unit. Bow guides have larger kickback zones, which increase the chance of kickback and serious injury. This increase is not significantly reduced by using a low-kickback saw chain. Using a bow guide on this unit is extremely dangerous.






OTHER SAFETY WARNINGS









- Maintain the unit with care. Follow all maintenance instructions in this manual.
- All service, other than the maintenance procedures described in this manual, should be performed by an authorized service dealer.
- Do not use the unit if it is not working correctly, has been dropped, damaged, left outdoors or dropped into water. Have the unit serviced by an authorized service dealer.
- Never remove, modify or make inoperative any safety device furnished with the unit.
- Before inspecting, maintaining, cleaning, storing, transporting or replacing any parts on the unit:
 1. Stop the motor. Refer to *Starting and Stopping*.
 2. Wait for all moving parts to stop.
 3. Disconnect the unit from the power source.
 4. Allow the unit to cool.
- Secure the unit while transporting.
- Always use the scabbard on the guide bar and saw chain during transportation and storage.
- Store the unit in a dry place, secured or at a height to prevent unauthorized use or damage. Keep the unit out of the reach of children.
- Never douse or squirt the unit with water or any other liquid. Avoid getting water in the motor and electrical connections. Keep handles dry and clean (free from debris, oil and grease). Clean the unit after each use. Refer to *Cleaning and Storage*. Do not use solvents or strong detergents.
- Keep these instructions. Refer to them often and use them to instruct other users. If you loan this unit to others, also loan them these instructions.

SAVE THESE INSTRUCTIONS

• SAFETY & INTERNATIONAL SYMBOLS •

This operator's manual describes safety and international symbols and pictographs that may appear on this product. Read the operator's manual for complete safety, assembly, operating and maintenance and repair information.

SYMBOL	MEANING
	<ul style="list-style-type: none"> • SAFETY ALERT SYMBOL Indicates danger, warning or caution. May be used in conjunction with other symbols or pictographs.
	<ul style="list-style-type: none"> • READ OPERATOR'S MANUAL WARNING: Read the operator's manual(s) and follow all warnings and safety instructions. Failure to do so can result in serious injury to the operator and/or bystanders.
	<ul style="list-style-type: none"> • WEAR HEAD, EYE AND HEARING PROTECTION WARNING: Thrown objects and loud noise can cause severe eye injury and hearing loss. Wear eye protection meeting current ANSI / ISEA Z87.1 standards and ear protection when operating this unit. Wear head protection when operating this unit; falling objects can cause severe head injury. Use a full face shield when needed.
	<ul style="list-style-type: none"> • DO NOT USE IN THE RAIN WARNING: Avoid dangerous environments. Never operate the unit in the rain or in damp or wet conditions. Moisture is a shock hazard.
	<ul style="list-style-type: none"> • DOUBLE INSULATED Two systems of insulation are provided instead of grounding. There is no grounding provided and no means of grounding should be added to the unit.
V	• VOLTS - Voltage
A	• AMPERES - Current
Hz	• HERTZ - Frequency (cycles per second)
AC	• ALTERNATING CURRENT - Type of current
"	• INCH - Unit of measure (English)
mm	• MILLIMETER - Unit of measure (metric)

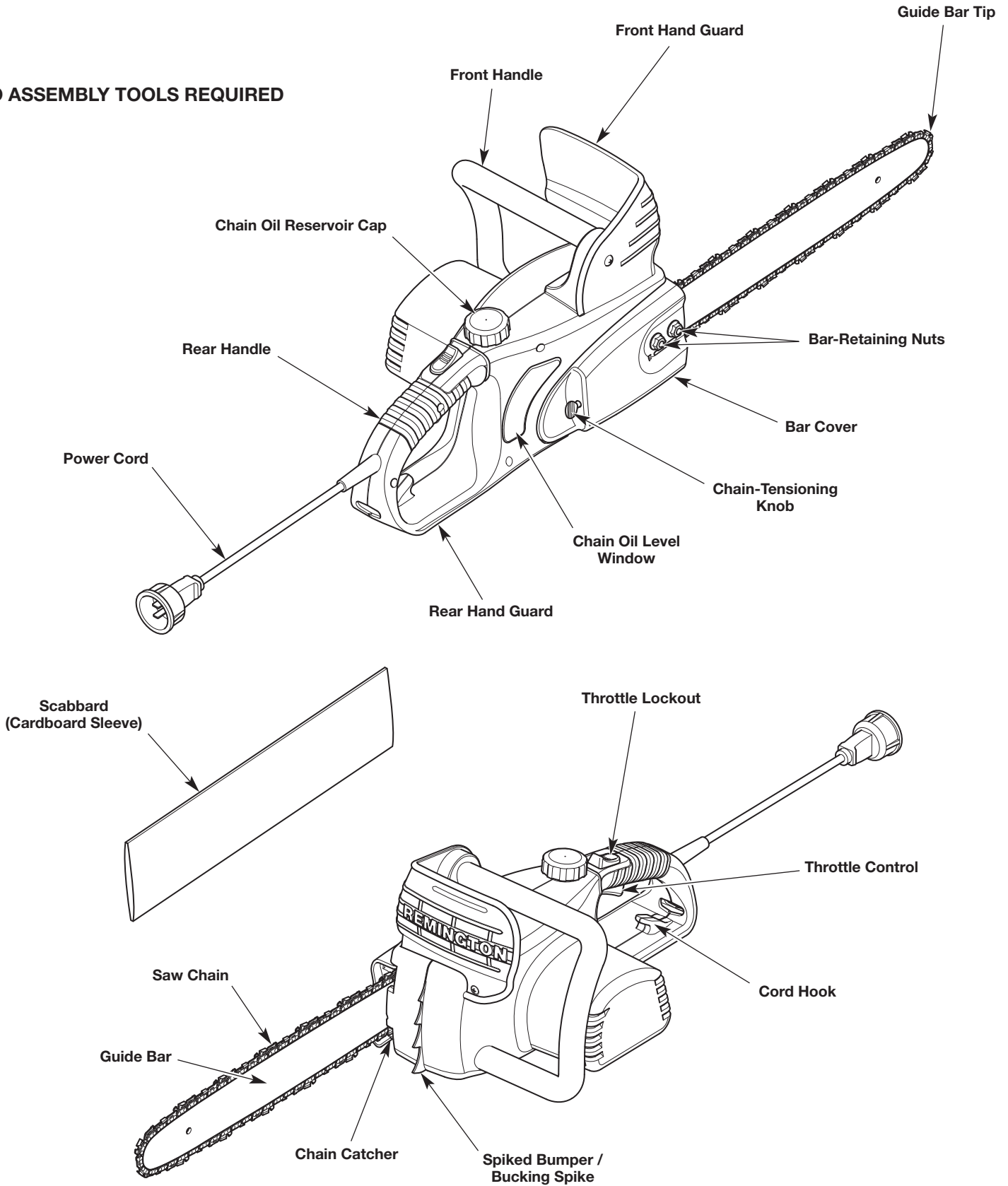
SYMBOL	MEANING
	<ul style="list-style-type: none"> • ON/OFF STOP CONTROL ON / START / RUN
	<ul style="list-style-type: none"> • ON/OFF STOP CONTROL OFF or STOP
Min. 50 ft (15m) 	<ul style="list-style-type: none"> • KEEP BYSTANDERS AWAY WARNING: Keep all bystanders, especially children and pets, at least 50 feet (15 m) from the operating area.
	<ul style="list-style-type: none"> • USE BOTH HANDS WARNING: Always use both hands while operating the unit. Never use only one hand to operate the unit.
	<ul style="list-style-type: none"> • KICKBACK WARNING: Contact of the guide bar tip with any object should be avoided. Tip contact may cause the guide bar to move suddenly upward and backward, which may cause serious injury.
	<ul style="list-style-type: none"> • CHAIN OIL The chain must be continuously coated with oil to function properly. Make sure the chain oil reservoir is always filled. Always use bar and chain oil.
	<ul style="list-style-type: none"> • CHAIN DIRECTION Make sure the saw chain faces the direction shown when installed on the guide bar. Refer to <i>Installing the Guide Bar and Saw Chain</i> in the <i>Maintenance</i> section.
	<ul style="list-style-type: none"> • CHAIN TENSIONING Always keep the saw chain properly tensioned. Turn the chain-tensioning knob clockwise to tighten the saw chain. Turn the chain-tensioning knob counterclockwise to loosen the saw chain.

KNOW YOUR UNIT

APPLICATIONS

- Felling and limbing trees
- Cutting logs (bucking)
- Pruning trees

NO ASSEMBLY TOOLS REQUIRED



ESSENTIAL TERMS AND DEFINITIONS

- CHAIN SAW - A tool designed to cut wood with a saw chain. A chain saw is an integrated unit comprised of a motor, saw chain, guide bar, and handles that are designed to be held by two hands during operation.
- CHAIN SAW POWERHEAD - A chain saw without the saw chain and guide bar.
- DRIVE SPROCKET - A toothed wheel that drives the saw chain.
- FRONT HANDLE - A support handle located toward the front of the chain saw.
- REAR HANDLE - A support handle located toward the rear of the chain saw.
- FRONT HAND GUARD - A structural barrier between the front handle and the guide bar. The front hand guard helps protect the operator's left hand if it slips off the front handle while the unit is running.
- REAR HAND GUARD - A structural barrier below the rear handle. The rear hand guard helps protect the operator's right hand if the saw chain breaks or disengages from the guide bar during operation.
- GUIDE BAR - A solid railed structure that supports and guides the saw chain.
- GUIDE BAR TIP - The tip or end of the guide bar.
- REDUCED-KICKBACK GUIDE BAR - A guide bar that has been demonstrated to reduce kickback significantly.
- SAW CHAIN - A loop of chain with teeth designed to cut wood, which is driven by the motor and is supported by the guide bar. The saw chain is composed of drive links, cutters and side links, held together by rivets.
- LOW-KICKBACK SAW CHAIN - A saw chain that complies with the kickback performance requirements of ANSI/OPEI B175.1-2012 when tested on a representative sample of chain saws. Low-kickback saw chain significantly reduces the chance of kickback and the intensity of kickback, due to specially designed depth gauges and guard links.
- REPLACEMENT SAW CHAIN - A saw chain that complies with the kickback performance requirements of ANSI/OPEI B175.1-2012 when tested with specific chain saws. It may not meet the ANSI/OPEI performance standards when used with other chain saws.
- SPIKED BUMPER - The pointed tooth (or teeth), at the front of the chain saw, used during felling and bucking to help pivot the saw and maintain a stable position while cutting.
- CHAIN CATCHER - A device designed to intercept a whipping chain. The chain catcher reduces the chance of injury if the saw chain breaks or disengages from the guide bar during operation.
- OILER CONTROL - A system for oiling the saw chain and guide bar.
- SWITCH - A device that, when operated, will complete or interrupt an electrical power circuit to the motor.
- SWITCH LINKAGE - A mechanism that transfers motion from the trigger (throttle control) to the switch.
- TRIGGER (THROTTLE CONTROL) - A device that, when operated in conjunction with the switch lockout (throttle lockout), turns the motor on. Releasing the trigger (throttle control) immediately turns the motor off. The saw chain will then coast to a stop.
- SWITCH LOCKOUT (THROTTLE LOCKOUT) - A device that prevents the unit from starting accidentally. The trigger (throttle control) cannot be squeezed unless the switch lockout (throttle lockout) is manually engaged.
- KICKBACK - A sudden backward and/or upward motion of the guide bar and saw chain. Kickback can occur if the upper portion of the guide bar tip touches an object while the saw chain is spinning (rotational kickback). Kickback can also occur if the wood closes in and pinches the saw chain inside the cut (linear kickback).
- ROTATIONAL KICKBACK - A sudden backward and upward motion of the guide bar and saw chain. Rotational kickback can occur if the upper portion of the guide bar tip touches an object while the saw chain is spinning. The guide bar and saw chain are then kicked up and back toward the operator in a lightning-fast reverse reaction.
- LINEAR KICKBACK (PINCH KICKBACK) - A sudden backward motion of the guide bar and saw chain. Linear (pinch) kickback can occur if the wood closes in and pinches the saw chain inside a cut. The saw is then sent straight back toward the operator.
- NORMAL CUTTING POSITION - The positions assumed while making bucking and felling cuts.
- FELLING - The process of cutting down a tree.
- NOTCHED UNDERCUT - The first cutting procedure in the tree felling process. A notch is cut on one side of the tree to direct its fall.
- FELLING BACK CUT - The final cut in the tree felling process. The felling back cut is made on the opposite side of the tree from the notched undercut.
- BUCKING - The process of cutting a felled tree or log into lengths.
- LIMBING - The process of removing branches from a fallen tree.
- PRUNING - The process of cutting limbs from a living tree.

SPECIFICATIONS*

Motor Type	Electric, Corded
Motor Voltage	120 VAC
Motor Amperage	12 Amps
Lubrication.	Bar and Chain Oil
Chain Oil Reservoir Capacity	8.8 oz. (262 mL)
Approximate Unit Weight (without chain oil)	9 - 10 lbs. (4.1 - 4.5 kg)
Guide Bar Length	16 in. (40.6 cm)
Saw Chain Pitch	3/8 in. (9.5 mm)
Saw Chain Gauge	0.050 in. (1.3 mm)

* All specifications are based on the latest product information available at the time of printing. We reserve the right to make changes at any time without notice.

REPLACEMENT PARTS

Please contact the Customer Support Department to order replacement parts.

Part #	Description
713-04090	Saw Chain (16 in. / 40.6 cm)
795-00119	Guide Bar (16 in. / 40.6 cm)
712-04230	Bar-Retaining Nuts


ADDING BAR AND CHAIN OIL: INITIAL USE

This unit comes from the factory with the chain oil reservoir empty. Fill the chain oil reservoir with bar and chain oil before starting or using the unit. Refer to *Adding Bar and Chain Oil* instructions in the *Maintenance* section.

ADJUSTING THE CHAIN TENSION: INITIAL USE

The saw chain must be properly tensioned before attempting to start or operate the unit. The saw chain may also require additional tensioning as the saw chain heats up during operation. Refer to *Adjusting the Chain Tension* instructions in the *Maintenance* section.

CONNECTING AND DISCONNECTING THE POWER SOURCE

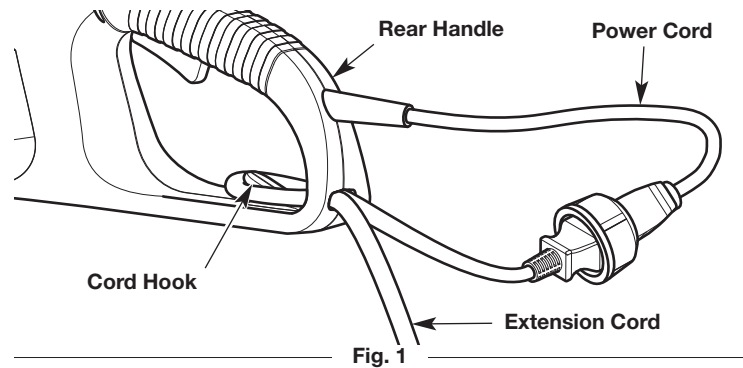
	<p>WARNING: Make sure the throttle control is released before connecting or disconnecting the power source. Refer to the <i>Starting and Stopping</i> section.</p>
--	---

Connecting the Unit to the Power Source

1. Plug the power cord into the extension cord.
2. Make a narrow loop in the extension cord (Fig. 1).
3. Push the loop through the hole in the rear handle (Fig. 1).
4. Position the loop onto the cord hook (Fig. 1). Gently pull the loop to secure the cord in place.
5. Plug the extension cord into an appropriate power outlet.

Disconnecting the Unit from the Power Source

1. Unplug the extension cord from the power outlet.
2. Unplug the power cord from the extension cord.
3. Remove the looped cord from the cord hook and hole in the rear handle (Fig. 1).



STARTING AND STOPPING



WARNING: Never operate the unit without the guide bar and saw chain properly installed. Make sure the bar-retaining nuts are tight and the guide bar cover is securely assembled. Make sure the saw chain is properly tensioned.



WARNING: The saw chain will spin after the unit starts. Keep hands and feet clear of the saw chain and do not allow the saw chain to contact any object(s).

BEFORE STARTING THE UNIT

1. Fill the chain oil reservoir with bar and chain oil. Refer to *Adding Bar and Chain Oil* in the *Maintenance* section.
2. Connect the power cord to an appropriate extension cord. Connect the extension cord to an appropriate power outlet. Refer to *Connecting and Disconnecting the Power Source*.

STARTING INSTRUCTIONS

To help prevent the motor from starting accidentally, the throttle lockout and throttle control must both be engaged to start the unit.

1. Press and hold the throttle lockout (Fig. 2).
2. Continue to hold the throttle lockout. Squeeze and hold the throttle control to start the unit (Fig. 2).
3. Release the throttle lockout, but continue to squeeze the throttle control.

STOPPING INSTRUCTIONS

1. Release the throttle control and wait for all moving parts to come to a complete stop (Fig. 2).

NOTE: Upon release of the throttle control, the throttle lockout will reset to the locked position.

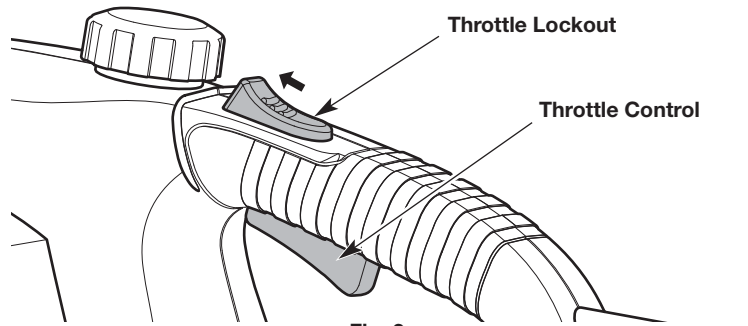






Fig. 2

OPERATION

	WARNING: Do not expose power tools to rain or wet conditions.
	WARNING: Always check the chain tension before operation and frequently check the chain tension during operation. Adjust as necessary. Refer to <i>Adjusting the Chain Tension</i> in the <i>Maintenance</i> section.
	WARNING: Make sure the chain oil reservoir is full before operation. Check the oil level constantly so that it does not drop below half full. The saw chain must be continuously coated with oil to function properly.
	WARNING: Always wear appropriate eye, hearing, hand, foot and body protection to reduce the risk of injury when operating this unit. Wear head protection. Use a full face shield when needed. Refer to the <i>Safety</i> section for appropriate safety equipment information.

TIPS FOR BEST RESULTS

- Follow all safety instructions. Refer to the *Safety* section.
- Only cut wood and materials made of wood. Do not attempt to cut sheet metal, plastics, masonry or any other non-wood materials.
- Practice cutting a few small logs before beginning a major cutting operation. First-time users should practice cutting logs on a sawhorse or cradle before undertaking other operations.
- Do not attempt to cut trees or logs with diameters larger than 12 in. (30.5 cm).

PREPARING THE WORK AREA

- Clear the area of children, bystanders and pets; keep them outside a 50-foot (15 m) radius, at a minimum. Even then, they are still at risk from thrown objects. Encourage bystanders to wear eye protection. If you are approached, stop the unit immediately. When felling, the safe distance is at least twice the height of the tallest tree in the work area. When bucking, keep workers at least 15 feet (4.6 m) apart.
- Keep the work area clean. Cluttered areas invite injuries. Do not start cutting until the work area is clear and free from obstructions. Make sure there is secure footing and a planned retreat path from falling trees or branches.
- Do not cut near electrical cables or power lines. Keep at least 50 feet (15 m) away from all power lines.
- Use the unit only in daylight or good artificial light.

HOLDING THE UNIT



WARNING: Always hold the front handle with the left hand and the rear handle with the right hand. Always keep all body parts to the left of the chain line.

- Firmly encircle the handles with the thumbs and fingers (Fig. 3). This will help reduce the chance of losing control of the unit if kickback occurs. Any grip with thumbs and fingers on the same side of the handles is dangerous (Fig. 4).
- Always grip the unit firmly with both hands when the unit is running.
- Hold the front handle with the left hand. Keep the left arm straight to help withstand potential kickback.
- Hold the rear handle with the right hand. Keep the right arm slightly bent.
- Use these hand placements whether the operator is left-handed or right-handed. This will help keep the operator slightly to the left of the unit and out of the direct line of the chain saw if kickback occurs (Fig. 5 and Fig. 6).
- Stand in a stable position with feet apart and firmly planted.
- Do not cut above shoulder height. Do not overreach.

CUTTING PROCEDURE BASICS

1. Start the unit. Refer to *Starting Instructions* in the *Starting and Stopping* section.
2. Accelerate the unit to full speed before cutting.
3. Press the unit against the wood and maintain a firm, steady pressure through most of the cut. Do not put pressure on the unit at the end of the cut.
4. Maintain a steady speed throughout the cut. Keep the unit running through the entire cut.
5. Do not try to force the saw through the wood. Allow the saw chain to do the cutting. Exert only light pressure. Forcing the cut could result in damage to the unit or personal injury.
6. Release the throttle control as soon as the cut is completed. Allow the saw chain to come to a complete stop. The saw chain, guide bar and motor may experience unnecessary wear if the unit is run without a cutting load.

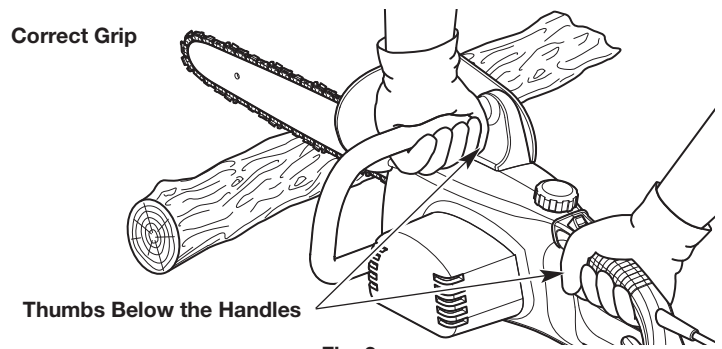


Fig. 3

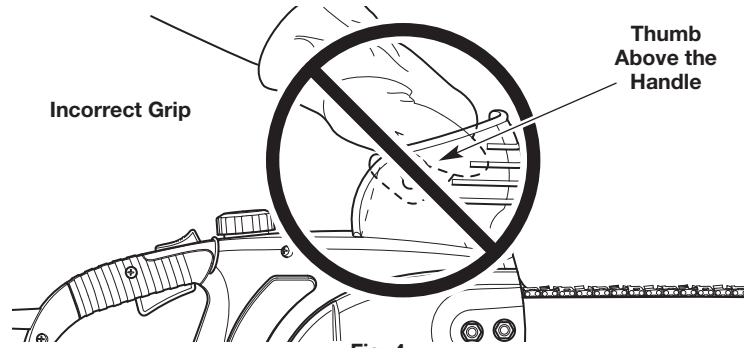


Fig. 4

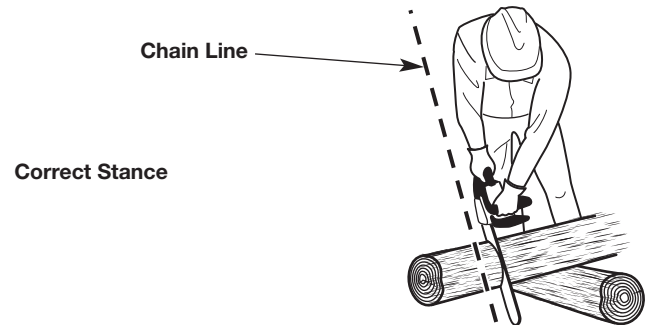


Fig. 5

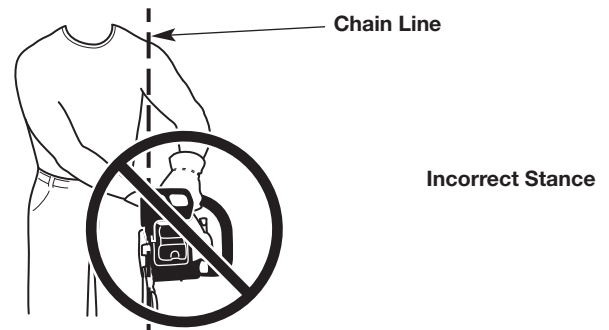


Fig. 6

FELLING: SAFETY

Felling is the process of cutting down a tree. Follow these safety precautions to reduce the risk of serious injury, property damage and damage to electrical lines:

- Do not fell trees with an extreme lean. Do not fell trees with rotten limbs, loose bark or hollow trunks. Have these trees pushed or dragged down with heavy equipment.
- Do not cut trees near buildings or electrical lines. Leave these operations for professionals. If a felled tree does contact an electrical line, notify the utility company immediately.
- Check the tree for damaged or dead branches that could fall and cause serious injury.
- Remove dirt, stones, loose bark, nails, wire and other obstructions from the portion of the tree that will be cut.
- When bucking and felling operations are performed by two or more persons in the same general area, they should be separated from each other by a distance of at least twice the height of the tree to be felled.
- Consider the force and direction of the wind. Consider the lean and balance of the tree. Consider the location of large branches. All of these factors influence the direction that the tree will fall. Do not try to fell a tree in a direction other than its natural fall line.
- Do not fell trees during periods of precipitation or high winds.
- Determine a safe and expedient escape route. Clear the area around the tree and make sure there are no obstructions blocking the escape route. Establish a 90° corridor of escape, approximately 135° from the line of fall (Fig. 7).
- Stay uphill from the tree; it will most likely roll or slide after it falls.

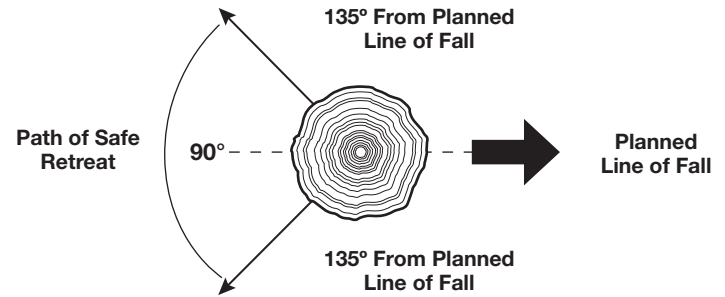


Fig. 7

FELLING: PROCEDURE

Small trees, up to 6 - 7 inches (15 - 18 cm) in diameter, are usually felled in a single cut. Larger trees require a sequence of two cutting operations: a notched undercut followed by a felling back cut. It may also be necessary to remove buttress roots.

Step 1: Removing Buttress Roots

Buttress roots are large roots that extend above the ground and help support the tree. If the tree has large buttress roots that might impede the felling process, follow these steps to remove them:

1. Make a horizontal cut into the buttress root (Fig. 8). To prevent the guide bar from being pinched by the weight of the wood, always make this cut first.
2. Make a vertical cut into the buttress root (Fig. 8).
3. Remove the loose section from the work area.

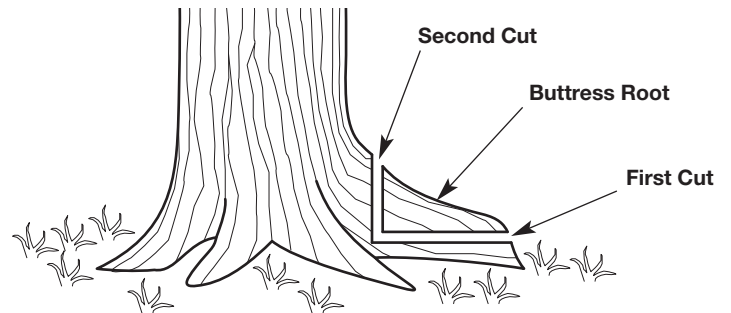


Fig. 8

Step 2: Making the Notched Undercut

WARNING: Never walk in front of a tree with a notched undercut.

This cut determines which direction the tree will fall. Always make this cut on the side of the tree facing the direction where the tree should fall. Make the cut at 90° to the line of fall.

1. Make a horizontal cut into the trunk of the tree (Fig. 9). The cut should be about 1/3 the diameter of the tree and close to the ground. To prevent the guide bar from being pinched by the weight of the wood, always make this cut first.
2. Make a 45° cut into the trunk of the tree, above the first cut (Fig. 9). Continue cutting until the two cuts meet.
3. Remove the loose section from the work area.

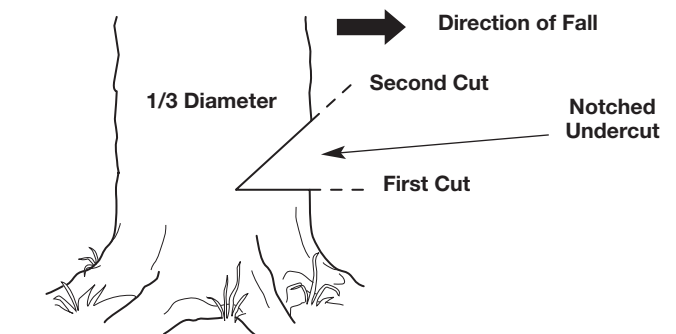


Fig. 9

Step 3: Making the Felling Back Cut



WARNING: Always recheck the area for bystanders, animals and obstacles before making the felling back cut.

This cut fells the tree.

1. Make a horizontal cut into the opposite side of the tree from the notched undercut (Fig. 10). Make the cut approximately 2 inches (5 cm) above the bottom of the notched undercut (Fig. 10).
2. As the cut gets close to the notched undercut, only a thin band of wood will support the tree. This band of wood is referred to as the hinge (Fig. 10). The hinge helps control the fall of the tree. Leave approximately 2 inches (5 cm) of hinge in place. Do not cut through the hinge. Cutting through the hinge could cause the tree to fall in any direction.
3. Periodically glance up during the felling back cut to see if the tree is going to fall in the correct direction. If there is a chance that the tree might not fall in the desired direction, or if the tree might rock back and bind the chain saw, remove the guide bar from the cut, stop the unit and use wedges to open the cut and direct the fall (Fig. 11). Only use soft plastic or wooden wedges. Drive the wedges into the cut slowly. Once the wedges are in place and the cut is held open, either carefully reinsert the guide bar and continue the cut or slowly drive the wedges in further to push the tree over.
4. As the hinge gets smaller, the tree should begin to fall. When the tree begins to fall, remove the chain saw from the cut, stop the motor and set the unit down immediately. Promptly exit the area along the retreat path, but keep watching the tree as it falls.

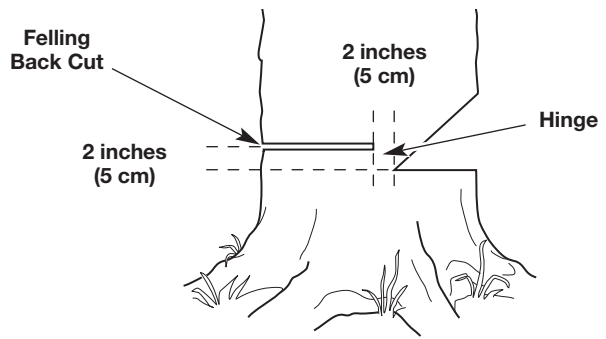


Fig. 10



Fig. 11



DANGER: If the tree starts to fall in the wrong direction and binds the chain saw, leave the unit and evacuate the area immediately! Do not try to save the chain saw!



WARNING: Stay clear of spring poles when operating the unit. Spring poles are branches, logs, roots or saplings that are bent under tension by other wood (Fig. 12). When the tension is released, spring poles can strike the operator, causing serious injury and potentially knocking the chain saw into the operator's body. Use extreme caution when cutting spring poles or when releasing the cause of tension.

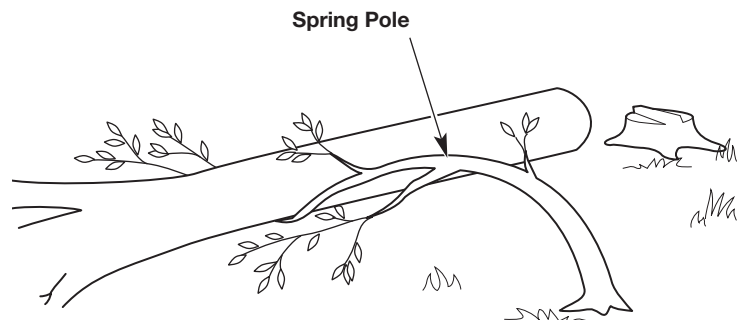


Fig. 12

LIMBING

Limbing is the process of removing branches from a fallen tree.

1. Leave the larger support limbs under the tree for last (Fig. 13). These will keep the tree off the ground during the limbing process.
2. Cut one limb at a time. Stand on the opposite side of the tree from the limb (Fig. 13). Keep the trunk between the operator and the chain saw. To avoid binding the chain saw, branches under tension should be cut from the bottom up.
3. Remove the cut limbs from the work area.

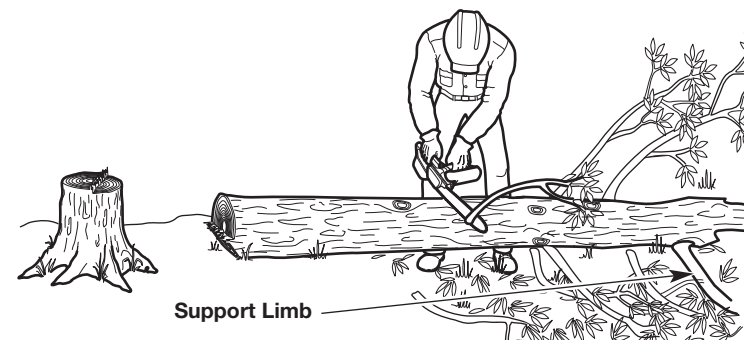



Fig. 13

BUCKING: SAFETY

Bucking is the process of cutting a fallen tree into logs of desired lengths. Follow these safety precautions to reduce the risk of serious injury:

- Clear the area of objects or obstructions that could contact the guide bar and result in kickback.
- When bucking on a slope, always stand on the uphill side of the fallen tree.
- If possible, the end of the tree to be cut should be raised off of the ground. A saw horse is ideal for this purpose. If a saw horse is not available, use other logs or any remaining limb stumps. Make sure the tree is firmly supported.
- Do not let the saw chain contact the ground or saw horse.
- Cut one log at a time. Release the throttle control and allow the saw chain to come to a complete stop before moving on to the next log.
- Keep feet and all other body parts clear of falling logs.

	<p>DANGER: Use extreme caution when cutting a fallen tree that is still attached to the root structure. When the trunk is separated from the roots, the stump has a high potential for rocking back into the hole created by the roots. This can result in serious injury or death. Never stand in the hole left by the roots. Never allow others to stand near the root structure.</p>
--	--

BUCKING: PROCEDURE

Cutting Logs Under Stress

When logs are supported on one or both ends, the wood tends to bend during the cutting process. This can cause the chain saw to become pinched between the two sides. Pay extra attention.

1. Make the first cut approximately 1/3 the diameter of the log. Do not cut deeper than 1/3.
 - If the log is supported on one end (Fig. 14), make the first cut from below (underbucking). Refer to *Underbucking*.
 - If the log is supported on two ends (Fig. 15), make the first cut from above (overbucking). Refer to *Overbucking*.
2. Make the second cut from the opposite side until the two cuts meet. If the diameter of the wood is large enough, insert soft plastic or wooden wedges to hold the cut open and prevent pinching (Fig. 18). Take care not to touch the wedges with the saw chain.

Cutting Fully-Supported Logs

When logs are supported along the entire length, extra care should be taken to make sure the saw chain does not contact the ground or other support structure (Fig. 16).

1. Cut through the log as much as possible, without cutting into the ground or support structure. Cut from above (overbucking). Refer to *Overbucking*.
2. Roll the log over and finish cutting through the log from above (overbucking).

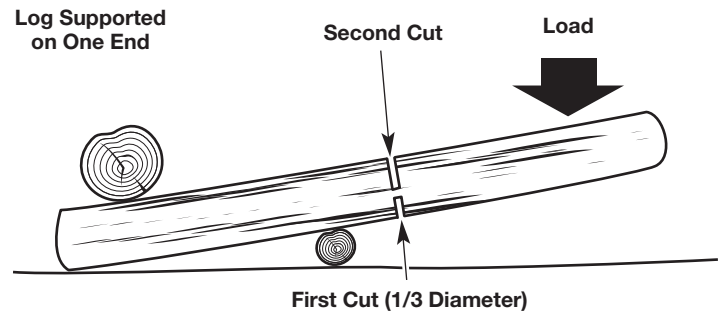


Fig. 14

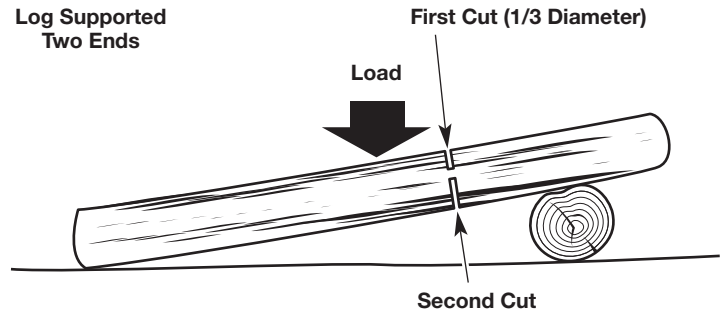


Fig. 15

Overbucking

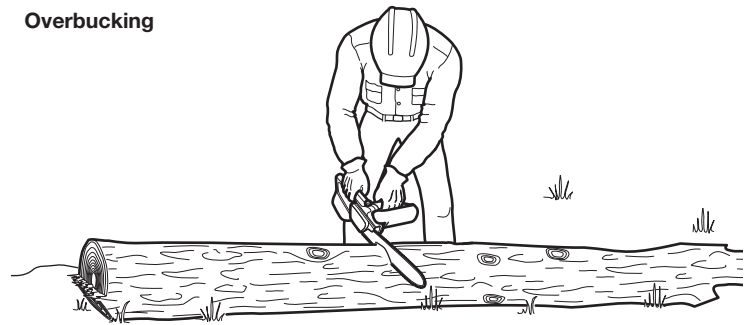


Fig. 16

Underbucking



Fig. 17

Overbucking

1. Begin cutting from above, with the bottom of the saw chain against the top of the log (Fig. 16).
2. Exert light, downward pressure. The saw will tend to pull away from the operator. Be prepared and hold the saw firmly to maintain control.

Underbucking

1. Begin cutting from below, with the top of the saw chain against the bottom of the log (Fig. 17).
2. Exert light, upward pressure. The saw will tend to push toward the operator. Be prepared and hold the saw firmly to maintain control.

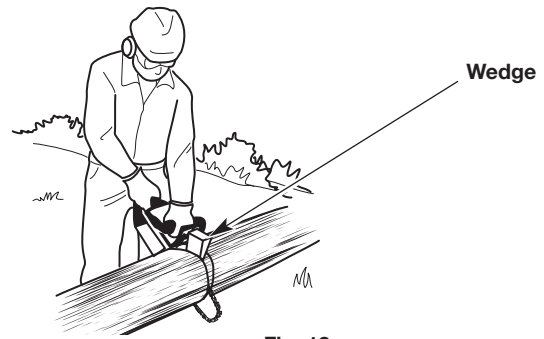


Fig. 18

PRUNING



WARNING: Do not cut above shoulder height. Use a pole saw to cut limbs above shoulder height or hire a professional. Do not operate the unit in a tree or on a ladder unless specifically trained to do so.



WARNING: Falling branches can cause serious injury. Always wear appropriate head protection. Plan an escape route away from falling limbs. Do not position any body parts directly below the limb when cutting.

Pruning is the process of cutting limbs from a living tree.

1. Make the first cut approximately 6 inches (15 cm) from the tree trunk. Cut upward, from the underside of the limb. Use the top of the guide bar to make this cut. Cut a third of the way through the diameter of the limb (Fig. 19).
2. Make the second cut 2 - 4 inches (5 - 10 cm) farther out on the limb. Cut downward, from the top of the limb. Use the bottom of the guide bar to make this cut. Cut completely through the limb (Fig. 19).
3. Make the third cut as close to the tree trunk as possible. Cut upward, from the underside of the limb stub. Use the top of the guide bar to make this cut. Cut a third of the way through the diameter of the limb (Fig. 19).
4. Make the fourth cut directly above the third cut. Cut downward, from the top of the limb stub. Use the bottom of the guide bar to make this cut. Cut completely through the limb stub to meet the third cut (Fig. 19). This will remove the limb stub.

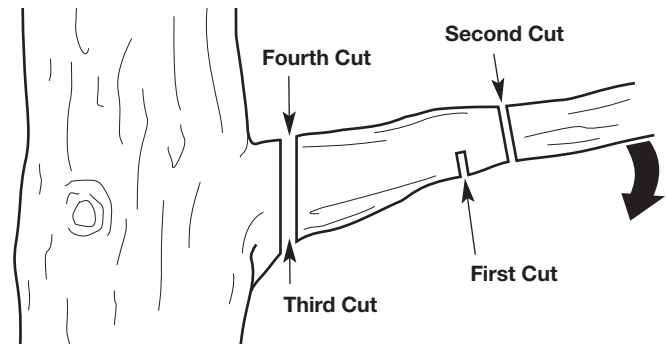


Fig. 19



WARNING: To prevent serious injury, never perform maintenance or repairs while the unit is running. Always disconnect the unit from the power source to prevent the unit from starting accidentally. Always allow the unit to cool before servicing or repairing the unit.

MAINTENANCE SCHEDULE

Perform these required maintenance procedures at the frequency stated in the table. These procedures should also be a part of any seasonal tune-up.

All service, other than the maintenance procedures described in this manual, should be performed by an authorized service dealer.

NOTE: Some maintenance procedures may require special tools or skills. If you are unsure about these procedures, take the unit to an MTD authorized service dealer.

CUSTOMER RESPONSIBILITY

FREQUENCY	MAINTENANCE REQUIRED
Before each use	<ul style="list-style-type: none"> • Check for loose screws, nuts or bolts (tighten as needed) • Check for damaged or worn parts* • Check the saw chain sharpness. Refer to <i>Sharpening the Saw Chain</i>. • Check the chain tension (adjust as needed). Refer to <i>Adjusting the Chain Tension</i>. • Fill the chain oil reservoir (refill frequently). Refer to <i>Adding Bar and Chain Oil</i>.
After each use	<ul style="list-style-type: none"> • Clean the unit and inspect decals. Refer to <i>Cleaning</i> in the <i>Cleaning and Storage</i> section.
Every 10 hours	<ul style="list-style-type: none"> • Clean the guide bar groove and oil passages.

* If maintenance or replacement is required, have the unit serviced by an MTD authorized service dealer.

ADDING BAR AND CHAIN OIL



DANGER: Failure to fill the chain oil reservoir will cause irreparable damage to the unit. Make sure the chain oil reservoir is always filled. Always use bar and chain oil.



WARNING: Oil constantly flows from the chain oil reservoir to oil the saw chain. Check the chain oil level frequently so that it does not drop below half full.

The guide bar and saw chain require lubrication to minimize friction. Never starve the guide bar and chain of lubricating oil. Running the unit without enough oil will decrease cutting efficiency, shorten the life of the saw chain, cause rapid dulling of the saw chain and excessive wear to the guide bar from overheating. An insufficient amount of lubricating oil is evidenced by smoke, guide bar discoloration or pitch build-up.

Only use bar and chain oil that is formulated to perform over a wide range of temperatures with no diluting required in the chain oil reservoir. Do not use motor oil or any other petroleum-based oil. Do not use dirty, used or contaminated oil. Damage may occur to the guide bar or saw chain. Dispose of old oil according to federal, state and local regulations.

Checking the Chain Oil Level

1. Set the unit on a flat, level surface.
2. Look into the chain oil level window; use a flashlight if necessary. The oil level should fill the window at least halfway (Fig. 20). If the oil level is too low, add bar and chain oil. Refer to *Filling the Chain Oil Reservoir*.

Filling the Chain Oil Reservoir

1. Set the unit on a flat, level surface.
2. To prevent debris from entering the chain oil reservoir, use a damp cloth to clean the chain oil reservoir cap and surrounding area.
3. Unscrew the chain oil reservoir cap (Fig. 21).
4. Carefully pour the oil into the chain oil reservoir. **DO NOT** overfill.
5. Reinstall the chain oil reservoir cap. Tighten the cap firmly.
6. Wipe up any oil that may have spilled.

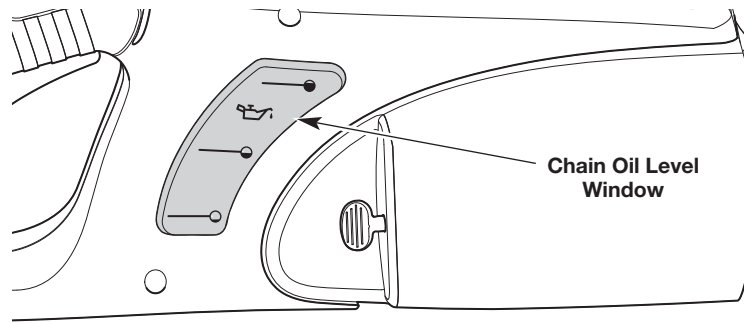


Fig. 20

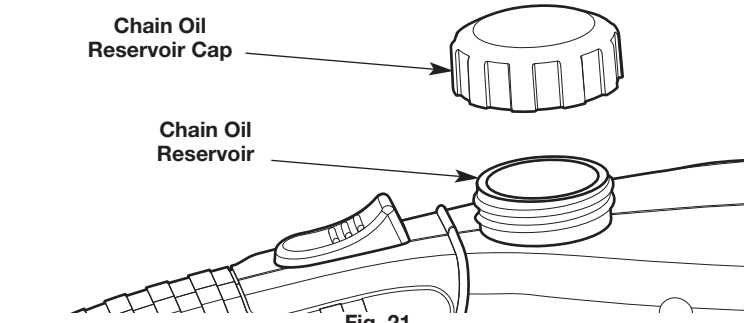


Fig. 21

ADJUSTING THE CHAIN TENSION



CAUTION: The guide bar, saw chain, and saw bearings will wear more rapidly if the saw chain is not properly tensioned. Maintaining proper chain tension will improve cutting performance and prolong the life of the saw chain.



WARNING: To prevent serious injury, never touch the saw chain or adjust the chain tension while the unit is running. Disconnect the unit from the power source to prevent the unit from starting accidentally.



WARNING: The saw chain is very sharp. Always wear heavy-duty protective gloves when handling or performing maintenance on the saw chain.

Check the chain tension before and during operation. Adjust the chain tension whenever the flats on the saw chain hang out of the bar groove (Fig. 22).

NOTE: A new saw chain tends to stretch and will need readjustment after as few as five (5) cuts. This is normal during the break-in period. The interval between future adjustments will lengthen quickly.

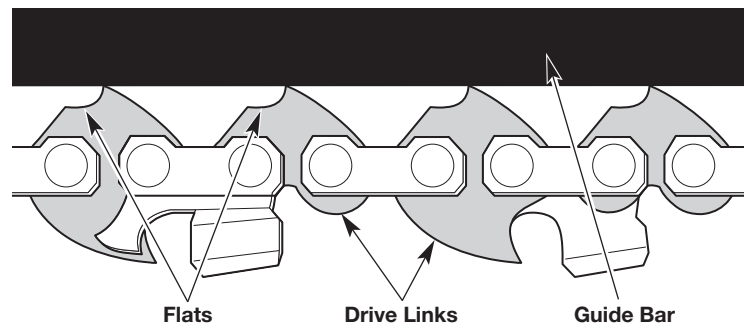


Fig. 22

1. Use a 1/2 inch (13 mm) wrench to slightly loosen the bar-retaining nuts (Fig. 23). **DO NOT** remove the bar-retaining nuts.
2. Hold the guide bar tip up and turn the chain-tensioning knob (Fig. 24).
 - Turn the chain-tensioning knob clockwise to tighten the saw chain.
 - Turn the chain-tensioning knob counterclockwise to loosen the saw chain.

The desired chain tension depends upon the temperature of the saw chain (Fig. 25).

 - Cold Chain Tensioning - The saw chain should fit snugly against the underside of the guide bar. There should be no sag (Fig. 25).
 - Warm Chain Tensioning - The saw chain will expand as it heats up during operation. The drive links should hang approximately 1/16 inch (1.3 mm) out of the guide bar groove (Fig. 25).
3. Hold the guide bar tip up and move the saw chain back and forth along the guide bar (Fig. 26). Make sure the saw chain moves freely and is in proper mesh with the sprocket. If the saw chain does not move easily, slowly turn the chain-tensioning knob counterclockwise to loosen the saw chain.
4. Hold the guide bar tip up and securely tighten the bar-retaining nuts.

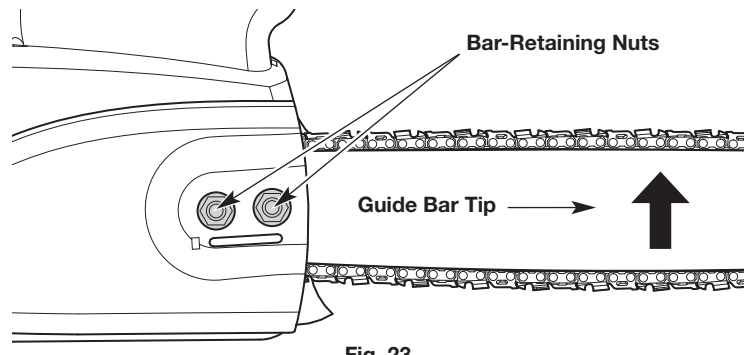


Fig. 23

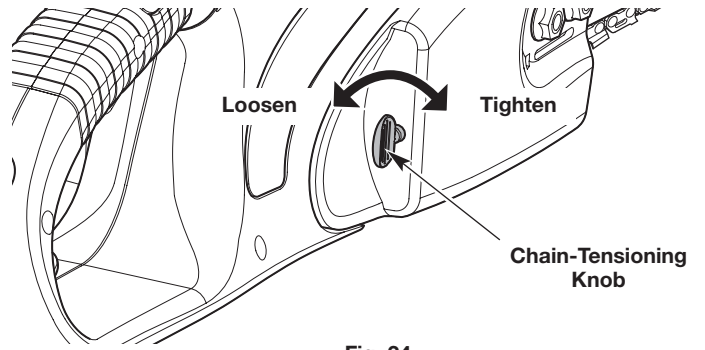


Fig. 24

CAUTION: If the saw chain was tensioned while warm, it may become too tight when cooled. Loosen the chain tension after operation and check the chain tension before the next use.

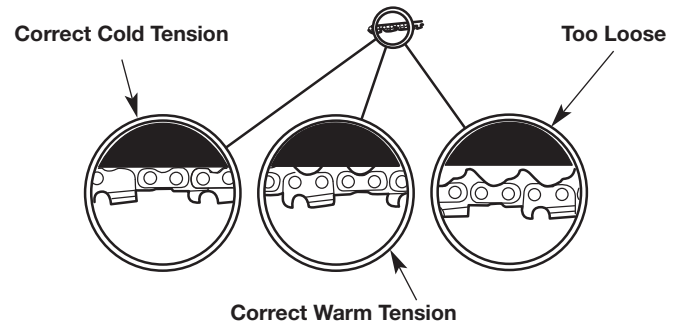


Fig. 25

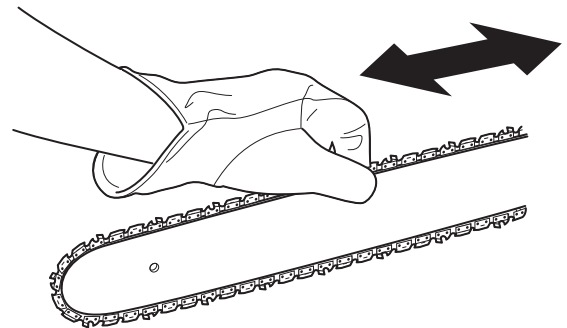


Fig. 26

REMOVING AND INSTALLING THE GUIDE BAR AND SAW CHAIN



WARNING: The saw chain is very sharp. Always wear heavy-duty protective gloves when handling or performing maintenance on the saw chain.

The guide bar and saw chain need to be removed when certain maintenance procedures are performed, such as when rotating the guide bar. When replacing old guide bars and saw chains with new parts, always use the manufacturer's specified replacement parts. Refer to *Replacing the Guide Bar and Saw Chain*.

Removing the Guide Bar and Saw Chain

1. Use a 1/2 inch (13 mm) wrench to remove the bar-retaining nuts (Fig. 27).
2. Remove the bar cover (Fig. 27).
3. Loosen the saw chain. Refer to *Adjusting the Chain Tension*.
4. Remove the saw chain from the guide bar.
5. Carefully use a small flat-head screwdriver to remove the E-ring from the drive sprocket (Fig. 28).
6. Remove the sprocket support from the drive sprocket (Fig. 28).
7. Remove the guide bar from the guide bar bolts (Fig. 28).

Installing the Guide Bar and Saw Chain

1. Align the slot in the guide bar with the guide bar bolts (Fig. 28). Slide the guide bar completely onto the guide bar bolts (Fig. 28). Make sure the guide bar is flush against the mounting surface.
2. Place the sprocket support onto the drive sprocket (Fig. 28).
3. Carefully install the E-ring onto the drive sprocket (Fig. 28).
4. Set the saw chain on a clean, flat surface and straighten out any kinks.
 - 5. Loop the saw chain around the drive sprocket and fit the saw chain into the guide bar groove (Fig. 29). Make sure the flats on the saw chain are in the grooves on the drive sprocket. Make sure the cutters point in the correct direction of rotation (Fig. 29).
6. Place the bar cover onto the saw housing (Fig. 27). Insert the tab on the bar cover into the slot on the saw housing (Fig. 27). The guide bar bolts should protrude from the holes in the bar cover.
7. Make sure the chain-tensioning pin is in the pin hole on the guide bar (Fig. 30). If necessary, turn the chain-tensioning knob to move the chain-tensioning pin (Fig. 24).
 - Turn the chain-tensioning knob clockwise to move the chain-tensioning pin toward the front of the unit.
 - Turn the chain-tensioning knob counterclockwise to move the chain-tensioning pin toward the rear of the unit.
8. Place the bar-retaining nuts onto the guide bar bolts. Tighten the bar-retaining nuts hand tight. **DO NOT** tighten the bar-retaining nuts completely.
9. Make sure the saw chain is still in the guide bar groove, then tighten the saw chain. Refer to *Adjusting the Chain Tension*.
10. Hold the guide bar tip up and securely tighten the bar-retaining nuts.

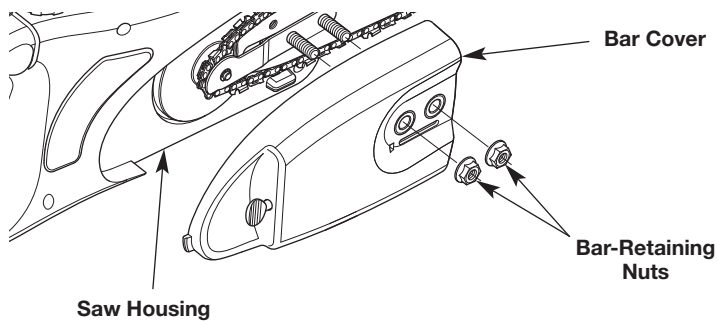


Fig. 27

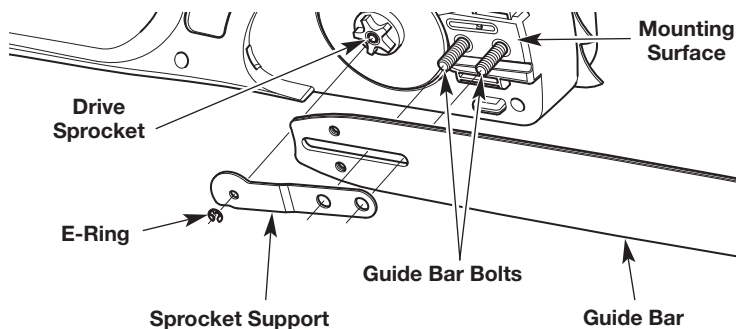


Fig. 28

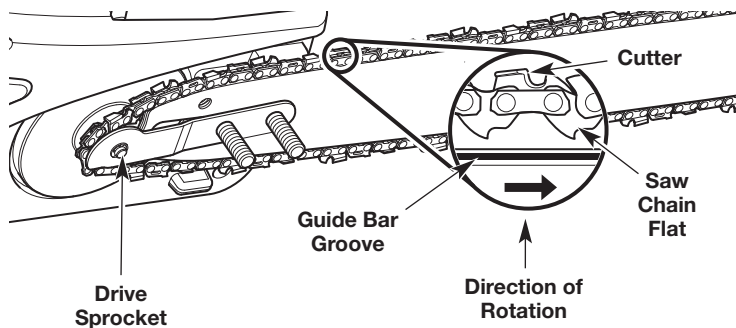


Fig. 29

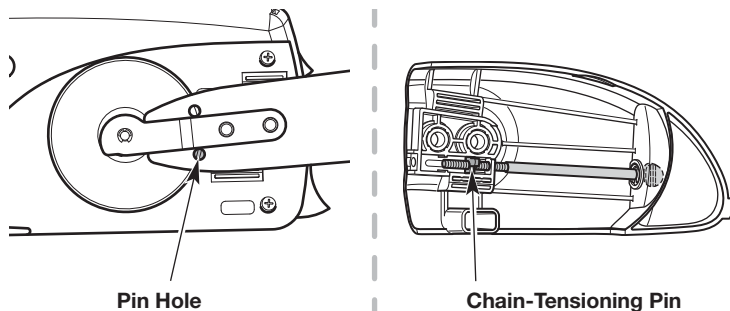


Fig. 30

MAINTAINING THE SAW CHAIN

For safe, efficient operation, the saw chain must be maintained properly.

The saw chain will wear with use, causing the chain to stretch. This is normal. When it is no longer possible to obtain a correct chain tension adjustment, the saw chain will need to be repaired by an authorized service dealer or replaced. Refer to *Replacing the Guide Bar and Saw Chain*.

Always keep the saw chain sharp. During operation, look for the following indicators of a dull saw chain:

- Wood chips are small and powdery.
- The saw chain must be forced through the wood.
- The saw chain cuts to one side.

If any of these conditions exist, sharpen or replace the saw chain. Refer to *Sharpening the Saw Chain* or *Replacing the Guide Bar and Saw Chain*.

NOTE: If you do not fully understand the sharpening procedure after reading the instructions, have the saw chain sharpened by an authorized service dealer or replace the saw chain.

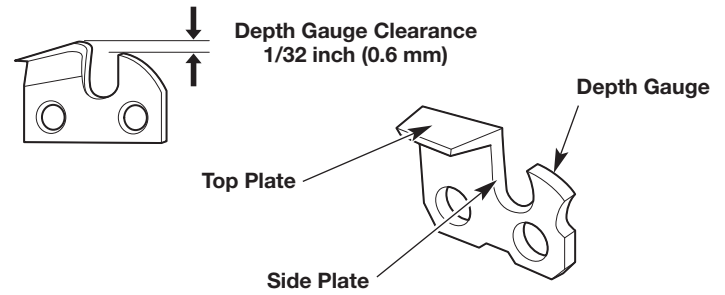


Fig. 31

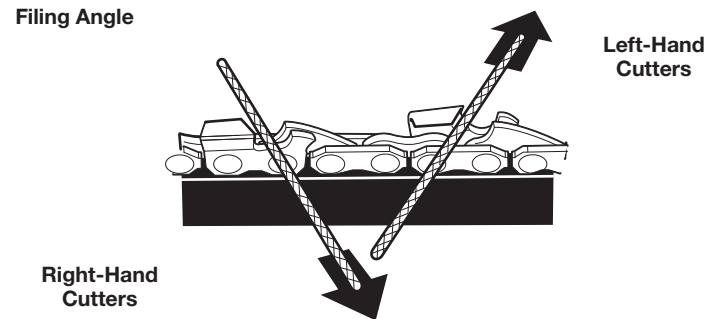


Fig. 32

SHARPENING THE SAW CHAIN

	WARNING: The saw chain is very sharp. Always wear heavy-duty protective gloves when handling or performing maintenance on the saw chain.
	WARNING: An improperly sharpened saw chain increases the chance of kickback. Failure to replace or properly maintain the saw chain can cause serious injury.
	CAUTION: A dull or improperly sharpened saw chain can cause excessive motor speed during operation, which can result in severe motor damage.

If the saw chain was damaged by contacting hard objects, such as nails or stones, or was abraded by mud or sand on the wood, have an authorized service dealer sharpen the saw chain.

When sharpening the saw chain, file all cutters to the specified angles and measurements. Other angles or measurements can cause excessive wear to the guide bar and saw chain, cause the chain to dull quickly and increase the chance of kickback. Fast cutting can be obtained only when all cutters are uniform.

1. Tighten the chain tension so that the saw chain is taut and does not wobble. Refer to *Adjusting the Chain Tension*.
 - Always file the saw chain at the midpoint of the guide bar.
2. Use a round file and file holder (tools not included) to sharpen the top plate and side plate of each cutter.
 - Use a 5/32 inch (4 mm) diameter file.
 - Keep the file level with the top plate of the cutter (Fig. 31). Do not let the file dip or rock. Use light, but firm pressure.
 - File toward the front corner of the cutter (Fig. 32). Lift the file away from the cutter at the end of the forward stroke. Only file on the forward stroke.
 - Apply a few firm strokes to each tooth. When filed correctly, the top plate will be at a 30° angle and the side plate will be at an 80° angle (Fig. 33). Using the correct file and file holder will automatically produce the correct angles.
 - File all the left-hand cutters in one direction (Fig. 32). Then move to the other side of the saw chain and file all of the right-hand cutters in the opposite direction (Fig. 32).
 - Occasionally remove filings with a wire brush.

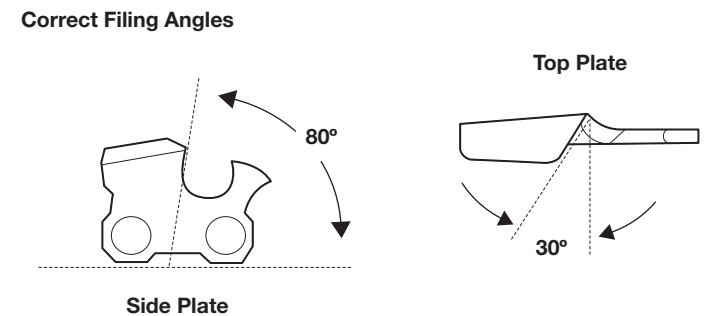


Fig. 33

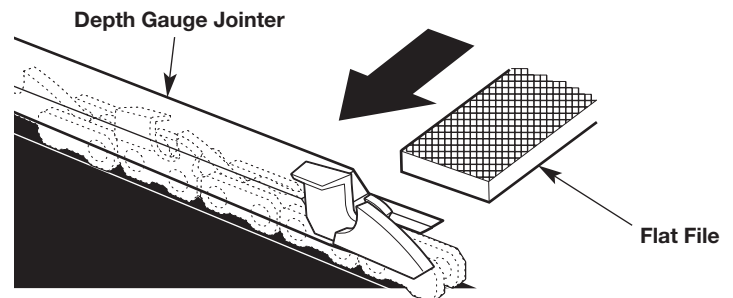


Fig. 34

- Use a depth gauge tool (not included) to measure the depth gauge clearance (Fig. 34) of each cutter. The depth gauge clearance must be maintained at 1/32 inch (0.6 mm). The depth gauge clearance determines the depth at which the cutter enters the wood during operation and the size of the wood chips produced. Too much clearance increases the chance of kickback. Too little clearance decreases the size of the wood chips, thus decreasing the ability to cut.
 - Use a 0.025 inch (0.635 mm) depth gauge jointer and a flat file (tools not included) to lower the depth gauge to the correct clearance (Fig. 34).
 - After lowering the depth gauge, use the flat file to restore the original rounded shape to the depth gauge (Fig. 35). Take care not to damage the cutting edges or nearby links.

Restore original rounded shape

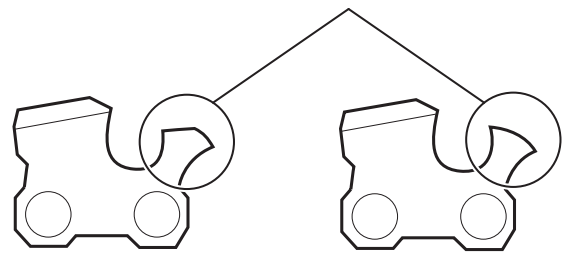


Fig. 35

MAINTAINING THE GUIDE BAR

- Rotate the guide bar frequently, at regular intervals (for example, after every 5 hours of operation), to ensure even wear on the top and bottom of the guide bar. Refer to *Removing and Installing the Guide Bar and Saw Chain*.
- Clean the guide bar groove and oil passages whenever the saw chain is removed, when the unit has been used heavily or when the saw chain appears dirty. Use a screwdriver, putty knife, wire brush or similar instrument to remove debris from the guide bar groove (Fig. 36). Use a small, soft wire to remove any debris from the chain oil discharge hole (Fig. 37).

NOTE: If the oil passages are clear, the saw chain will give off a spray of oil shortly after it begins to rotate during operation.

- Frequently check the guide bar for damage (Fig. 38). Feathering and burring of the guide bar rails (the ridges on either side of the bar groove) is a normal process of guide bar wear. Such faults should be smoothed with a file as soon as they occur (Fig. 38). A guide bar with the following faults should be replaced:
 - Wear inside the guide bar rails that permits the chain to lay sideways
 - Bent guide bar
 - Cracked or broken rails
 - Spread rails

- Refer to *Replacing the Guide Bar and Saw Chain*.

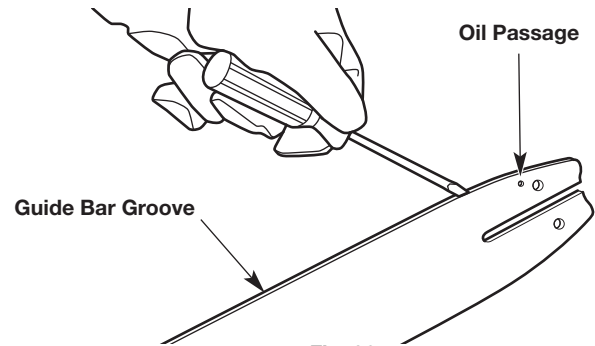


Fig. 36

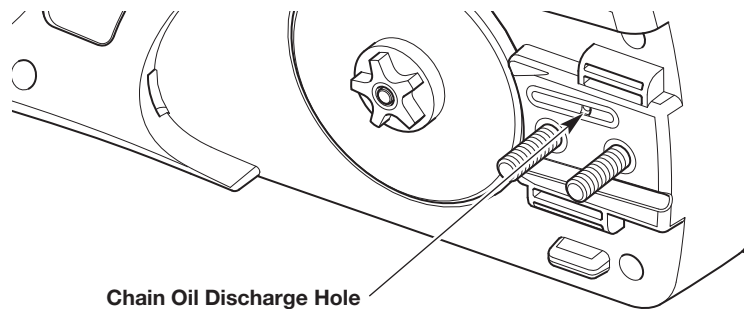


Fig. 37

REPLACING THE GUIDE BAR AND SAW CHAIN



WARNING: Always use a low-kickback saw chain, which significantly reduces the danger of kickback. Low-kickback saw chain does not completely eliminate kickback. A low-kickback or “safety chain,” should never be regarded as total protection against injury.

When replacing the guide bar and saw chain, only use the replacement parts specified by the manufacturer or their equivalents. Refer to *Replacement Parts*. Use of any unauthorized parts or accessories could lead to serious injury to the operator or damage to the unit and will VOID the warranty.

Always use a replacement saw chain designated as “low-kickback” or a saw chain that meets the low-kickback performance requirements. A standard saw chain (a chain that does not have the kickback-reducing guard links) should only be used by an experienced professional chain saw operator.

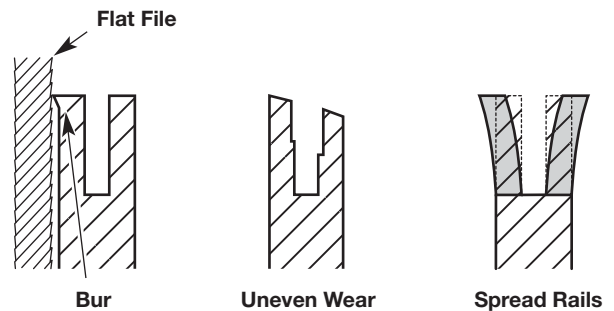


Fig. 38

CLEANING AND STORAGE

CLEANING



WARNING: To prevent serious injury, never clean the unit while it is running. Always disconnect the unit from the power source to prevent the unit from starting accidentally. Always allow the unit to cool before cleaning the unit.



WARNING: To prevent serious injury, do not douse the unit with water. Do not submerge the unit in water or any other liquid. Do not use strong detergents. Household cleaners that contain aromatic oils such as pine and lemon, and solvents such as kerosene, can damage plastic.

1. Loosen the saw chain if the chain tension was adjusted during operation. The saw chain will contract as the unit cools, which could damage the unit if the chain is too tight.
2. Clean the unit with a damp cloth.

NOTE: When preparing the unit for long-term storage (30 days or more), remove the guide bar and saw chain. Carefully clean the guide bar cover, guide bar mounting surface and sprocket. Use a firm non-wire brush to clean the guide bar groove. Reassemble the unit.

3. Wipe off any moisture with a soft cloth.
4. Lightly coat the guide bar and saw chain with a corrosion-inhibiting oil.

STORAGE

- Loosen the saw chain if the chain tension was adjusted during operation. The saw chain will contract as the unit cools, which could damage the unit if the chain is too tight.
- Allow the unit to cool.
- Thoroughly clean the unit and inspect it for any loose or damaged parts. Repair or replace damaged parts and tighten loose screws, nuts or bolts.
- Cover the guide bar and saw chain with the scabbard.
- Lock up the unit to prevent unauthorized use or damage.
- Store the unit in a dry, well-ventilated area.
- Store the unit out of the reach of children.

NOTE: It is normal for bar and chain oil to seep from the unit when not in use. Please take this into consideration when storing the unit.

TROUBLESHOOTING

PROBLEM	SOLUTION
THE MOTOR WILL NOT START	
The extension cord is not securely connected to the unit or power source	Make sure each plug is securely connected
The GFCI in the outlet has tripped (if used)	Reset the GFCI
The breaker switch has tripped	Reset the breaker switch in the home electrical panel
The throttle lockout was not pressed	Press and hold the throttle lockout before squeezing the throttle control
The unit is damaged	Refer to <i>Service</i> information
THE MOTOR LACKS POWER OR STALLS	
The extension cord wire size is inadequate	Use an extension cord with the necessary wire size. Refer to the wire size table in the <i>Safety</i> section.
THE SAW CHAIN COMES OFF THE GUIDE BAR	
The saw chain tension is too loose	Adjust the saw chain tension
The guide bar and saw chain are assembled incorrectly	Refer to <i>Removing and Installing the Guide Bar and Saw Chain</i>
THE GUIDE BAR AND SAW CHAIN ARE RUNNING HOT, SMOKING OR STUCK	
The saw chain tension is too tight	Adjust the saw chain tension
The chain oil reservoir is empty	Refill the chain oil reservoir
The guide bar groove and oil passages are dirty	Clean the guide bar and oil passages
THE SAW CHAIN DOES NOT ROTATE	
The saw chain tension is too tight	Adjust the saw chain tension
The guide bar and saw chain are assembled incorrectly	Refer to <i>Removing and Installing the Guide Bar and Saw Chain</i>
The guide bar and saw chain are damaged	Inspect the guide bar and saw chain for damage. Replace them if necessary
The drive assembly is damaged	Refer to <i>Service</i> information
THE SAW CHAIN ROTATES, BUT DOES NOT CUT	
The saw chain is dull	Sharpen or replace the saw chain
The saw chain is on backwards	Check and correct the saw chain direction

If further assistance is required, contact an authorized service dealer.

MANUFACTURER'S LIMITED WARRANTY FOR:

REMINGTON®

The limited warranty set forth below is given by Remington LLC (Remington) with respect to new merchandise purchased and used in the United States, its possessions and territories.

Remington warrants this product against defects in material and workmanship for a period of two (2) years commencing on the date of original purchase and will, at its option, repair or replace, free of charge, any part found to be defective in material or workmanship. This limited warranty shall only apply if this product has been operated and maintained in accordance with the Operator's Manual furnished with the product, and has not been subject to misuse, abuse, commercial use, neglect, accident, improper maintenance, alteration, vandalism, theft, fire, water or damage because of other peril or natural disaster. Damage resulting from the installation or use of any accessory or attachment not approved by Remington for use with the product(s) covered by this manual will void your warranty as to any resulting damage.

HOW TO OBTAIN SERVICE: Warranty service is available, WITH PROOF OF PURCHASE THROUGH YOUR LOCAL AUTHORIZED SERVICE DEALER. To locate the dealer in your area, visit our website at www.remingtonpowertools.com, check for a listing in the Yellow Pages, call **1-866-206-2707** or **1-877-696-5533** in Canada, or write to P.O. Box 361032, Cleveland, OH 44136. No product returned directly to the factory will be accepted unless prior written permission has been extended by the Customer Service Department of Remington.

This limited warranty does not provide coverage in the following cases:

- A. Tune-ups - Spark Plugs, Carburetor Adjustments, Filters
- B. Wear items - Bump Knobs, Outer Spools, Cutting Line, Inner Reels, Starter Pulley, Starter Ropes, Drive Belts, Saw Chains, Guide Bars, Cultivator Tines, Blades.
- C. Remington does not extend any warranty for products sold or exported outside of the United States of America, its possessions and territories, except those sold through Remington's authorized channels of export distribution.

Remington reserves the right to change or improve the design of any Remington Product without assuming any obligation to modify any product previously manufactured.

No implied warranty, including any implied warranty of merchantability or fitness for a particular purpose, applies after the applicable period of express written warranty above as to the parts as identified. No other express warranty or guaranty, whether written or oral, except as mentioned above, given by any person or entity, including a dealer or retailer, with respect to any product shall bind Remington. During the period of the Warranty, the exclusive remedy is repair or replacement of the product as set forth above. (Some states do not allow limitations on how long an implied warranty lasts, so the above limitation may not apply to you.)

The provisions as set forth in this Warranty provide the sole and exclusive remedy arising from the sales. Remington shall not be liable for incidental or consequential loss or damages including, without limitation, expenses incurred for substitute or replacement lawn care services, for transportation or for related expenses, or for rental expenses to temporarily replace a warranted product. (Some states do not allow limitations on how long an implied warranty lasts, so the above limitation may not apply to you.)

In no event shall recovery of any kind be greater than the amount of the purchase price of the product sold. Alteration of the safety features of the product shall void this Warranty. You assume the risk and liability for loss, damage, or injury to you and your property and/or to others and their property arising out of the use or misuse or inability to use the product.

This limited warranty shall not extend to anyone other than the original purchaser, original lessee or the person for whom it was purchased as a gift.

How State Law Relates to this Warranty: This warranty gives you specific legal rights, and you may also have other rights which vary from state to state.

To locate your nearest service dealer, dial **1-866-206-2707** in the United States or **1-877-696-5533** in Canada.

REMINGTON LLC

P.O. Box 361032
Cleveland, OH 44136

REMINGTON®

Manuel de l'utilisateur

Scie à chaîne électrique

RM1645

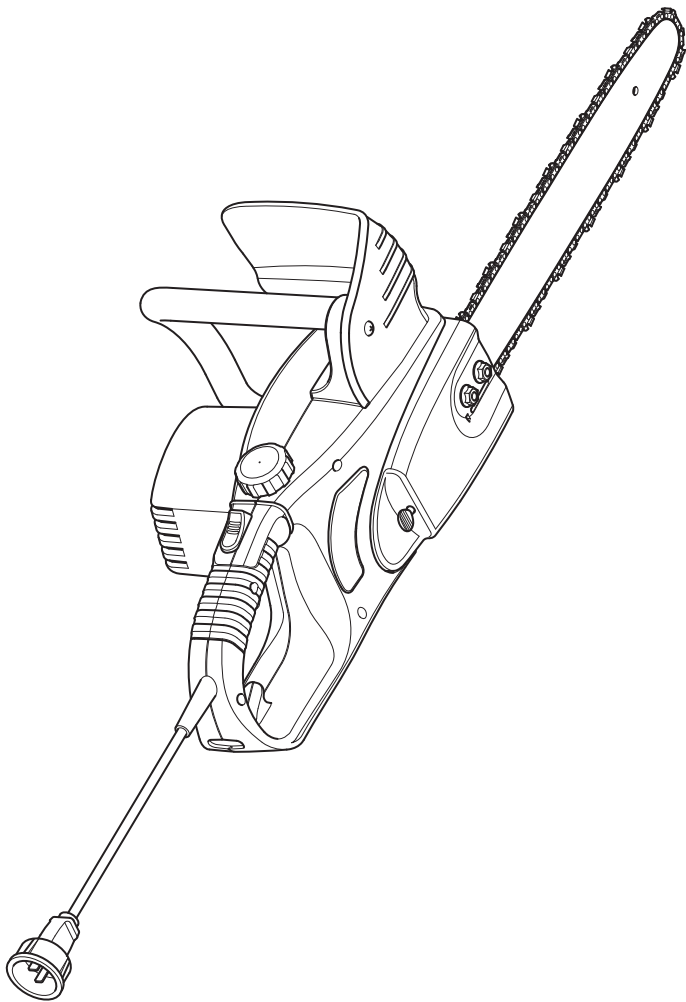


TABLE DES MATIÈRES

Service	29
Sécurité	30
Familiarisez-vous avec votre appareil	38
Modalités et définitions essentielles	39
Spécifications	40
Assemblage	41
Démarrage et arrêt	42
Utilisation	43
Entretien	49
Nettoyage et entreposage	56
Résolution des problèmes	57
Garantie	58

CONSERVEZ CES INSTRUCTIONS

SERVICE

NE RAMENEZ PAS CET APPAREIL CHEZ LE DÉTAILLANT. UNE PREUVE D'ACHAT SERA EXIGÉE POUR TOUTE PRISE EN CHARGE DANS LE CADRE DE LA GARANTIE.

Si vous éprouvez des difficultés à assembler ce produit ou si vous avez des questions sur les commandes, l'utilisation ou l'entretien de cet appareil, veuillez contacter le service à la clientèle en composant le **1-866-206-2707** aux États-Unis ou le **1-877-696-5533** au Canada. Des informations supplémentaires sont disponibles sur notre site web : www.remingtonpowertools.com.

Pour un entretien ou une réparation, veuillez appeler le service clientèle pour obtenir une liste complète des professionnels agréés près de chez vous. L'entretien de cet appareil doit être confié exclusivement à un professionnel agréé pendant et après la période de garantie. Utilisez uniquement des pièces de rechange identiques.

Toutes les informations, illustrations et spécifications contenues dans ce manuel tiennent compte des dernières informations techniques disponibles au moment de mettre sous presse. Nous nous réservons le droit d'y apporter des modifications à tout moment, sans préavis.

Le produit peut varier légèrement par rapport aux illustrations du présent manuel.

Copyright © 2015 MTD SOUTHWEST INC., Tous droits réservés.

IMPORTANT : Lisez attentivement ce manuel avant d'utiliser ce produit. Respectez toutes les instructions.

SÉCURITÉ

L'objectif des symboles de sécurité consiste à attirer votre attention sur d'éventuels dangers. Les symboles de sécurité, et leurs explications, méritent votre attention et compréhension. Les consignes de sécurité n'éliminent pas d'eux-mêmes tous les dangers. Les instructions ou avertissements qu'ils donnent ne remplacent pas les mesures adéquates de prévention des accidents.

SYMBOLE SIGNIFICATION

 **DANGER** : Signale un danger **EXTRÊME**.
Le non-respect d'un signal de **DANGER** sur le plan de la sécurité **ENTRAÎNERA** des blessures graves, voire la mort pour vous ou pour autrui.

 **AVERTISSEMENT** : Signale un danger **SÉRIEUX**.
Le non-respect d'un signal d'**AVERTISSEMENT** sur le plan de la sécurité **PEUT** entraîner des blessures graves pour vous ou pour autrui.

 **ATTENTION** : indique un danger **MODÉRÉ**.
Le non-respect d'un symbole **ATTENTION POURRAIT** provoquer des blessures ou des dommages des biens de l'opérateur ou d'autres personnes.

REMARQUE : Vous donne des informations ou des instructions vitales au fonctionnement ou à l'entretien du matériel.



PROPOSITION 65 DE LA CALIFORNIE

AVERTISSEMENT : Ce produit contient un composé chimique reconnu dans l'état de la Californie comme produit pouvant provoquer des cancers et des malformations congénitales et affecter l'appareil reproducteur.

Lisez le manuel de l'utilisateur et suivez tous les avertissements et toutes les consignes de sécurité. Le non-respect de cette procédure peut entraîner des blessures graves pour l'opérateur ou les passants.

• CONSIGNES DE SÉCURITÉ IMPORTANTES •

CONSIGNES GÉNÉRALES DE SÉCURITÉ DES OUTILS ÉLECTRIQUES

 **AVERTISSEMENT** : Lire tous les avertissements et toutes les consignes de sécurité. Le non-respect des avertissements et instructions peut entraîner une décharge électrique, un incendie ou des blessures graves.

Conserver tous les avertissements et toutes les instructions à des fins de référence ultérieure.

Le terme « outil électrique » des avertissements se rapporte à vos outils secteur fonctionnant avec un cordon d'alimentation ou, sans fil, à batterie (sans fil).

1) Sécurité de la zone

- La zone de travail doit être propre et bien éclairée.** Les endroits encombrés ou sombres sont propices aux accidents.
- Ne pas utiliser l'appareil dans des atmosphères explosives, comme en présence de liquides inflammables, de gaz ou de poussières.** Les outils électriques créent des étincelles qui pourraient enflammer les poussières ou les vapeurs.
- Garder les enfants et les autres personnes à l'écart en utilisant un outil électrique.** Les distractions peuvent vous faire perdre le contrôle.

2) Sécurité électrique

- Les fiches des outils électriques doivent correspondre à la prise. Ne jamais modifier la fiche de quelque façon que ce soit. Ne pas utiliser d'adaptateur de fiche avec mise à la terre avec les outils électriques.** Des fiches non modifiées et des socles adaptés réduiront le risque de décharge électrique.
- Éviter tout contact corporel avec des surfaces mises à la terre telles que des tuyaux, radiateurs, cuisinières et réfrigérateurs.** Il y a un risque accru de décharge électrique si votre corps entre en contact avec des objets mis à la terre.
- Ne pas exposer les outils électriques à la pluie ou aux temps humides.** La pénétration d'eau dans un outil électrique augmente le risque de décharge électrique.
- Ne pas maltraiter le cordon. Ne jamais utiliser le cordon pour transporter, tirer ou débrancher l'outil électrique. Garder les cordons à l'écart de la chaleur, de l'huile, de l'eau, des objets tranchants et des pièces en mouvement.** Les cordons endommagés ou emmêlés augmentent le risque de décharge électrique.
- En faisant usage d'un outil électrique à l'extérieur, utiliser une rallonge convenant à un usage extérieur.** L'utilisation d'un cordon adapté à une utilisation extérieure réduit le risque de décharge électrique.
- Si l'utilisation d'un outil électrique dans un endroit humide est inévitable, utiliser un disjoncteur de fuite de terre à alimentation protégée.** L'utilisation d'un disjoncteur de fuite de terre réduit le risque de décharge électrique.

3) Sécurité personnelle

- a) **Demeurer alerte, regarder ce que vous faites et faites preuve de bon sens lorsque vous utiliser un outil électrique. Ne pas utiliser un outil lorsque vous êtes fatigué ou sous l'influence de drogues, d'alcool ou de médicaments.** *Un moment d'inattention lors de l'utilisation d'outils électriques peut entraîner des blessures graves.*
- b) **Utiliser du matériel de protection individuelle. Porter toujours des lunettes de protection.** *Du matériel de protection comme un masque antipoussières, des chaussures de sécurité antidérapantes, un casque ou une protection auditive utilisés pour les conditions appropriées réduiront les blessures personnelles.*
- c) **Éviter tout démarrage intempestif. Vérifier que l'interrupteur est en position d'arrêt avant de brancher l'outil à une source d'alimentation ou à une batterie, de le ramasser ou de le transporter.** *Le fait de transporter les outils électriques en ayant le doigt posé sur l'interrupteur ou de mettre en marche des outils électriques dont l'interrupteur est en position de marche invite aux accidents.*
- d) **Retirer toute clé ou clé de réglage avant de mettre l'outil en marche.** *Un outil ou une clé de réglage fixé à une partie rotative de l'outil peut entraîner des blessures.*
- e) **Ne pas vous pencher trop en avant. Conserver son équilibre en tout temps.** *Cela assure un meilleur contrôle de l'outil électrique dans les situations imprévues.*
- f) **Porter des vêtements appropriés. Ne pas porter de vêtements amples ni de bijoux. Garder les cheveux, les vêtements et les gants éloignés des pièces en mouvement.** *Les vêtements amples, les bijoux ou les cheveux longs peuvent se prendre dans les pièces mobiles.*
- g) **Si des dispositifs sont fournis pour le raccordement d'installations de dépoussiérage et de collecte, vérifier qu'ils sont connectés et correctement utilisés.** *L'utilisation des collecteurs de poussière peut réduire les risques causés par la poussière.*

4) Utilisation et d'entretien d'un outil électrique

- a) **Ne pas forcer un outil électrique. Utiliser l'outil électrique approprié à votre travail.** *L'outil électrique adéquat fonctionnera mieux et plus sécuritairement à la vitesse pour laquelle il a été conçu.*
- b) **Ne pas utiliser l'outil si le commutateur ne permet pas de le désactiver.** *Tout outil qui ne peut pas être contrôlé par son interrupteur est dangereux et doit être réparé.*
- c) **Débrancher la fiche de la source d'alimentation ou la batterie de l'outil électrique avant d'effectuer des réglages, de changer d'accessoire ou de ranger l'outil.** *Ces mesures de sécurité préventives réduisent le risque de démarrage accidentel de l'outil.*
- d) **Ranger les outils électriques inutilisés hors de la portée des enfants et ne pas laisser des personnes non familiarisées avec l'outil ou ces instructions utiliser l'outil électrique.** *Les outils électriques sont dangereux dans les mains d'utilisateurs novices.*
- e) **Entretien des outils électriques. Vérifier l'alignement ou le grippage des parties mobiles, des pièces cassées ou toute autre condition pouvant perturber le fonctionnement de l'outil électrique. Si l'outil électrique est endommagé, le faire réparer avant de l'utiliser.** *De nombreux accidents sont causés par des outils électriques mal entretenus.*
- f) **Maintenir les outils de coupe propres et bien aiguisés.** *Des outils soigneusement entretenus avec des bords aiguisés sont moins susceptibles de se coincer et sont plus faciles à contrôler.*
- g) **Utiliser les outils électriques, les accessoires et les lames etc., conformément à ces instructions, en tenant compte des conditions de travail et du travail à effectuer.** *L'utilisation de l'outil pour des activités différentes de celles prévues pourrait donner lieu à une situation dangereuse.*

5) Réparation ou entretien

- a) **Faire réparer ou entretenir votre outil électrique par un réparateur qualifié utilisant des pièces de rechange identiques.** *Cela permettra d'assurer que la sécurité de l'outil électrique est maintenue.*

Avertissements de sécurité relatifs à la tronçonneuse :

- **Garder toutes les parties du corps à l'écart de la chaîne lorsque la tronçonneuse est en marche. Avant de mettre la tronçonneuse en marche, s'assurer que la chaîne ne touche à rien.** *Un moment d'inattention lors de l'utilisation de scies à chaîne peut provoquer un enchevêtrement de vos vêtements ou votre corps avec la chaîne.*
- **Toujours tenir la scie à chaîne avec votre main droite sur la poignée arrière et la main gauche sur la poignée avant.** *Tenir la scie à chaîne avec une configuration de main inversée augmente le risque de blessure et ne devrait jamais être fait.*
- **Maintenir uniquement l'outil par ses surfaces de prise isolées, car la chaîne peut entrer en contact avec des fils cachés ou avec son propre cordon.** *Une scie à chaînes qui entre en contact avec un câble sous tension, mettra également sous tension les parties métalliques exposées de l'outil électrique et pourrait donner une décharge électrique à l'opérateur.*
- **Porter des lunettes de sécurité et une protection auditive. Il est également recommandé de porter d'autres protections pour la tête, les mains, les jambes et les pieds.** *Les vêtements de protection appropriés réduisent les blessures par projection de débris ou par contact accidentel avec la tronçonneuse.*
- **Ne pas utiliser une scie à chaîne dans un arbre.** *L'utilisation d'une tronçonneuse tout en se trouvant dans un arbre peut entraîner des blessures.*
- **Toujours garder une bonne position stable et n'utiliser la tronçonneuse que lorsque debout sur une surface plane et stable.** *Les surfaces glissantes ou instables, des échelles par exemple, peuvent entraîner une perte de l'équilibre ou du contrôle de la scie à chaîne.*
- **Faire preuve d'extrême prudence, lorsque vous coupez une branche qui est sous tension.** *Lorsque la tension des fibres du bois se relâche, la branche peut frapper l'opérateur ou lui faire perdre le contrôle de la tronçonneuse.*
- **Faire preuve d'extrême prudence lors de la coupe de broussailles et de jeunes arbres.** *Le matériau mince peut prendre dans la chaîne de la tronçonneuse et être attiré vers vous ou vous faire perdre l'équilibre.*
- **Transporter la tronçonneuse par la poignée avant alors la chaîne est désactivée et à l'écart de votre corps. Lors du transport ou du rangement de la tronçonneuse, toujours la recouvrir du couvercle de la barre de guidage.** *Une manipulation adéquate de la tronçonneuse permettra de réduire la probabilité de contact accidentel avec la chaîne de la scie en mouvement.*
- **Suivre les instructions de lubrification, de tension de la chaîne et de changement des accessoires.** *Une chaîne mal tendue ou mal lubrifiée peut casser ou augmenter le risque de rebond.*
- **Garder les poignées sèches, propres et exemptes d'huile et de graisse.** *Les poignées graisseuses ou huileuses sont glissantes, ce qui entraîne une perte de contrôle.*

- **Couper du bois uniquement. Ne pas utiliser une scie à chaîne à d'autres fins que celles prévues. Par exemple : Ne pas utiliser l'appareil pour couper du plastique, de la maçonnerie ou d'autres matériaux de construction autres que le bois.** *L'utilisation de la tronçonneuse pour des activités différentes de celles prévues pourrait donner lieu à une situation dangereuse.*

Causes du rebond et prévention par l'opérateur :

Le rebond peut se produire lorsque le nez ou l'extrémité de la tige de guidage touche un objet ou lorsque le bois se referme et pince la chaîne de la tronçonneuse pendant la coupe.


Le contact de la pointe peut, dans certains cas, provoquer une soudaine réaction inverse, retournant la chaîne vers le haut et vers l'opérateur.

Le pincement de la chaîne le long du haut de la tige de guidage peut rapidement repousser la tige de guidage vers l'opérateur.

Chacune de ces réactions peut causer une perte de contrôle de la scie, ce qui pourrait vous causer des blessures graves. Ne pas compter exclusivement sur les dispositifs de sécurité intégrés à la scie. À titre d'utilisateur de scie à chaîne, vous devez prendre plusieurs précautions pour éviter tout accident et toute blessure pendant vos travaux de coupe.

Le rebond est le résultat d'une mauvaise utilisation de l'outil ou de méthodes ou de conditions d'utilisation inadéquates, et il peut être évité en prenant les précautions adéquates indiquées ci-dessous :

- **Toujours avoir une prise solide, avec les pouces et les doigts refermés sur les deux poignées, avec les deux mains sur la scie et en maintenant la position de votre corps et de vos bras pour vous permettre de résister aux forces de rebond.** *Les forces de rebond peuvent être contrôlées par l'opérateur s'il prend les précautions nécessaires. Ne pas lâcher la tronçonneuse.*
- **Ne pas vous pencher trop en avant et ne pas couper à une hauteur supérieure aux épaules.** *Cela permet d'éviter tout contact involontaire avec la pointe et permet de mieux contrôler la tronçonneuse dans des situations inattendues.*
- **N'utiliser que les barres et les chaînes précisées par le fabricant.** *Des barres et chaînes de rechange inadéquates peuvent provoquer la rupture ou le rebond de la chaîne.*
- **Suivre les instructions du fabricant en matière d'affûtage et d'entretien de la chaîne de scie.** *La diminution de la hauteur de la mesure de profondeur peut entraîner une augmentation du rebond.*




AVERTISSEMENT : Lorsque vous utilisez l'appareil, toutes les consignes de sécurité doivent être respectées. Veuillez lire ces consignes avant d'utiliser l'appareil pour assurer la sécurité de l'opérateur et de tous les passants. Veuillez conserver ces instructions pour référence ultérieure.

CONSIGNES GÉNÉRALES DE SÉCURITÉ

- Veuillez lire soigneusement ces instructions. Familiarisez-vous avec les commandes et l'utilisation correcte de l'appareil. Sachez comment arrêter l'appareil et désengager rapidement les commandes.
- N'utilisez pas cet appareil quand vous êtes fatigué, malade ou sous l'influence de boissons alcoolisées, de drogues ou de médicaments.
- Ne laissez jamais les enfants utiliser l'appareil. Ne laissez jamais des adultes faire fonctionner l'appareil sans instruction appropriée.
- Tous les carters et dispositifs de sécurité doivent être correctement installés avant l'utilisation de cet appareil.
- Inspectez l'appareil avant l'utilisation. Remplacez les pièces endommagées. Assurez-vous que toutes les fixations sont en place et bien serrées. Remplacez les pièces fissurées, ébréchées ou endommagées d'une manière ou d'une autre. N'utilisez pas l'appareil quand des pièces sont desserrées ou endommagées.
- Vous devez être conscient des risques de blessures à la tête, aux mains et aux pieds.
- Inspectez attentivement la zone de travail avant de démarrer l'appareil. Retirez les pierres, le verre cassé, les clous, les fils, les ficelles et autres objets qui peuvent être projetés ou s'enrouler dans l'appareil.
- Éloignez les enfants, les passants et les animaux domestiques ; ils doivent rester dans un rayon d'au moins 15 mètres (50 pieds). Même à cette distance, il existe néanmoins un risque de projectiles pour les personnes à proximité. Encouragez-les à porter des lunettes de sécurité. Si quelqu'un s'approche de vous, arrêtez immédiatement l'appareil.

AVERTISSEMENTS DE SÉCURITÉ CONCERNANT LES UNITÉS ÉLECTRIQUES

- N'exposez pas l'appareil à la pluie ou par temps humide.
- Ne pas actionner l'appareil, le cordon, ou la fiche avec les mains mouillées.
- Évitez les environnements dangereux. N'utilisez pas l'appareil sous la pluie, par temps humide ou sur des surfaces humides. L'humidité constitue un risque d'électrocution.
- Pour réduire le risque de décharge électrique, évitez tout contact corporel avec des conducteurs de terre, comme les tuyaux métalliques ou les grillages.
- N'utilisez pas l'appareil dans des atmosphères explosives, comme en présence de liquides inflammables, de gaz ou de poussières.
- Une plaque signalétique sur l'appareil indique la tension utilisée. Ne branchez jamais l'appareil à une tension alternative qui diffère de cette tension.
- L'utilisation d'un cordon prolongateur inadéquat peut entraîner un risque d'incendie, de décharge électrique ou d'électrocution.




AVERTISSEMENT : Pour réduire le risque de décharge électrique, utilisez uniquement des rallonges approuvées pour une utilisation à l'extérieur, comme une rallonge de type SW-A, SOW-A, STW-A, STOW-A, SJW-A, SJOW-A, SJTW-W ou SJTOW-A. Les rallonges sont disponibles auprès de votre revendeur local. Utilisez uniquement des rallonges à gaine ronde approuvées pour une utilisation à l'extérieur.

- N'utilisez pas plusieurs cordons prolongateurs.
- Assurez-vous que le cordon prolongateur est de calibre adéquat pour le courant consommé par l'appareil. Un cordon à la capacité insuffisante causerait une baisse de tension entraînant une perte de puissance et une surchauffe. En cas de doute, utilisez le cordon prolongateur du calibre supérieur. Plus le chiffre est petit, plus le calibre est élevé.

CALIBRE MINIMAL DES CORDONS PROLONGATEURS D'APPAREILS DE 120 VOLTS UTILISANT DE 12 À 16 AMPÈRES				
Longueur du cordon (pieds)	25	50	100	150
Calibre du cordon (AWG)	14	12	*	*
*N'est pas recommandé				

- Assurez-vous que les cordons prolongateurs sont en bon état. Inspectez régulièrement le fil d'alimentation et le cordon prolongateur. Observez attentivement toute détérioration, coupure ou fissure de l'isolation. Si un cordon est endommagé de quelque manière que ce soit tout en étant branché, débranchez-le de la prise et de l'appareil. N'utilisez pas un cordon endommagé. Les cordons endommagés doivent être remplacés ou réparés par un atelier de réparations agréé.
- Ne pas abuser des cordons. Ne tirez ni ne transportez jamais l'appareil par le cordon. Gardez les cordons à l'écart de la chaleur, de l'huile, de l'eau, des objets tranchants et des objets en mouvement. Saisissez toujours la fiche pour débrancher le cordon.
- Ne modifiez jamais une fiche, un cordon ou une prise en aucune façon.
- La protection du disjoncteur de fuite à la terre doit être prévue sur les circuits ou sur les prises pour être utilisée avec cet appareil. Par mesure de sécurité supplémentaire, utilisez des prises avec une protection de disjoncteur de fuite à la terre intégrée.



AVERTISSEMENT : Pour réduire le risque de décharge électrique, utiliser un disjoncteur de fuite de terre avec un courant de déclenchement de 30 mA ou moins.

- Garder les cordons à l'écart de l'aire d'opération. Placer les cordons de sorte qu'ils ne seront pas pris ou emmêlés dans les branches ou autres obstacles pendant l'utilisation.
- Pour éviter les trébuchements, garder tout cordon éloigné des pieds de l'opérateur.
- Toujours débrancher l'appareil de la source d'alimentation quand il n'est pas utilisé.
- Éviter de débrancher le cordon d'alimentation de la rallonge en cours de fonctionnement en utilisant une sangle de retenue pour prise, un connecteur ou en faisant un nœud (Fig. A).

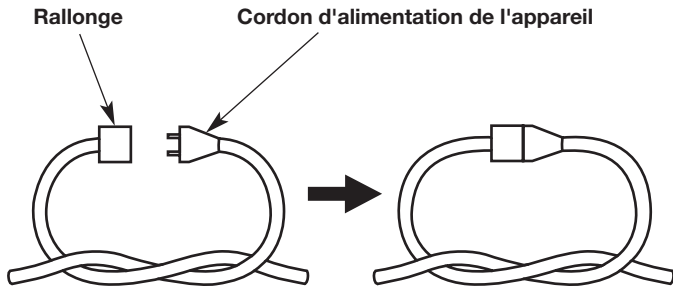


Fig. A

- Pour réduire le risque de décharge électrique, cet appareil possède une fiche polarisée (une lame est plus large que l'autre). Les fiches polarisées nécessitent des rallonges polarisées. Cette fiche entre dans la rallonge d'une seule façon. Si la fiche ne rentre pas complètement dans la rallonge, inverser la fiche. Si la fiche ne rentre toujours pas, se procurer une autre rallonge polarisée. Les rallonges polarisées nécessitent des prises murales polarisées. Cette rallonge entre dans la prise murale d'une seule façon. Si la rallonge ne rentre pas complètement dans la prise murale, inverser la fiche. Si la rallonge ne rentre toujours pas, communiquer avec un électricien qualifié pour faire installer une prise murale adéquate.
- Ceci est un appareil à double isolation. Deux systèmes d'isolation sont fournis au lieu d'une mise à la terre. Il n'y a pas de mise à la terre fournie et aucun moyen de mise à la terre ne doit être ajouté à l'appareil. L'entretien et la réparation d'un appareil à double isolation exigeant des précautions et une connaissance approfondies du système. L'entretien et la réparation doivent être réalisés par du personnel de maintenance autorisé. Les pièces de rechange pour un appareil à double isolation doivent être identiques aux pièces qu'elles remplacent. Négliger de faire réparer un appareil à double isolation par un technicien agréé au moyen de pièces de rechange identiques pourrait entraîner des blessures graves.
- Puisque l'appareil est à double isolation, une rallonge à deux fils (un sans mise à la terre) peut être utilisée. Toutefois, il est recommandé d'utiliser une rallonge à trois fils (une avec une mise à la terre) avec un connecteur de type NEMA (lame de terre parallèle en U).

PENDANT L'UTILISATION

- Portez des lunettes de sécurité conformes aux normes ANSI / ISEA Z87.1 en vigueur et marquées comme telles. Portez une protection auditive pendant l'utilisation de cet appareil. Portez un écran facial ou un masque antipoussières si la tâche est poussiéreuse. Utilisez un casque protecteur ou tout autre type de casque de sécurité.
- Portez des chaussures de sécurité et gants de protection. Portez des vêtements épais, bien ajustés, y compris un long pantalon et une chemise à manches longues. Ne portez pas des vêtements amples, des bijoux, un pantalon court, des sandales et ne travaillez pas pieds nus. Attachez vos cheveux au-dessus des épaules.
- Assurez-vous que l'accessoire n'est pas en contact avec quoi que ce soit avant de démarrer l'appareil.
- Utilisez l'appareil uniquement en plein jour ou avec un bon éclairage artificiel.
- Évitez tout démarrage accidentel. L'opérateur et l'appareil doivent être dans une position stable pendant le démarrage. Consultez les sections *Mise en marche* et *Arrêt*.
- Utilisez le bon outil. N'utilisez cet outil que pour son usage prévu : couper du bois. N'utilisez pas l'appareil pour couper du plastique, de la maçonnerie ou d'autres matériaux de construction autres que le bois. N'utilisez l'appareil que de la façon décrite dans ce manuel.
- Gardez toutes les parties du corps éloignées de la tronçonneuse lorsque l'appareil est en marche. Ne touchez pas ou n'essayez pas d'arrêter des pièces en mouvement.
- Ne forcez pas l'appareil, surtout vers la fin de la coupe. Il sera plus efficace et plus sûr si vous l'utilisez à la vitesse pour laquelle il a été conçu.
- Toujours mettre l'appareil hors tension lorsque l'activité est retardée, en déposant l'appareil ou en le transportant d'un endroit à l'autre. Assurez-vous que toutes les pièces mobiles sont complètement arrêtées.
- Transportez l'appareil par la poignée avant, à l'écart du corps, et alors que la barre de guidage est placée à l'arrière. En transportant l'appareil, couvrez le guide et la chaîne avec le fourreau.
- Si l'appareil s'accroche ou devient empêtré dans un objet étranger, arrêter le moteur immédiatement, débrancher l'appareil de la source d'alimentation et le laisser refroidir. Ensuite, vérifier les dégâts. S'il est endommagé, ne redémarrez pas ni n'utilisez l'appareil jusqu'à ce qu'il soit réparé. N'utilisez pas l'appareil quand des pièces sont desserrées ou endommagées.
- Utilisez uniquement des pièces et des accessoires de rechange du fabricant d'origine pour cet appareil. Ils sont disponibles auprès de votre centre de réparation agréé. L'utilisation d'autres pièces ou accessoires pourrait entraîner de graves blessures de l'utilisateur ou endommager l'appareil, et annuler la garantie.
- L'appareil doit rester propre. Retirez avec précaution la végétation et autres débris qui pourraient bloquer les pièces mobiles.
- Si l'appareil se met à vibrer anormalement, arrêter le moteur immédiatement, débrancher l'appareil de la source d'alimentation et le laisser refroidir. Ensuite, inspectez l'appareil pour trouver la raison de la vibration. Les vibrations indiquent en général un problème.
- Gardez la zone de travail propre. Les endroits encombrés favorisent les accidents. Ne commencez pas à couper avant que la zone de travail soit dégagée et libre de tout obstacle. Assurez-vous d'avoir une position stable et qu'une voie de retraite soit prévue en raison de chutes de branches.
- Ne coupez pas à proximité de câbles électriques ou de lignes à haute tension. Demeurez à au moins 15 m (50 pi) de toutes les lignes électriques.
- Pour un rendement plus sûr et plus efficace, assurez-vous que la tige de guidage et la chaîne sont correctement nettoyées, lubrifiées, serrées et aiguisées. Vérifiez fréquemment que le réglage de la tige de guidage et de la chaîne est correct.

- Lorsque vous coupez une branche sous tension, soyez très prudent. Lorsque la tension est relâchée, la branche pourrait rebondir et frapper l'opérateur, causant des blessures graves voire la mort.
- Faites preuve de prudence lors de la coupe de broussailles et arbrisseaux de petite taille, puisque les matériaux plus minces peuvent se prendre dans la chaîne et être projetés vers l'opérateur ou déséquilibrer l'opérateur.
- Cette scie est classée dans la Catégorie 2C par UL, et ce, conformément à la norme CSA Z62.1-03. Elle est destinée à une utilisation peu fréquente par les propriétaires, les propriétaires de chalets et campeurs, et pour des applications générales telles que l'éclaircissement, la taille et la coupe du bois de chauffage, etc. Elle n'est pas conçue pour une utilisation prolongée. Si l'utilisation prévue implique de longues périodes de fonctionnement, les vibrations pourraient causer des problèmes circulatoires dans les mains de l'utilisateur.
- N'utilisez pas l'appareil dans un arbre ou sur une échelle à moins d'être spécifiquement formé pour le faire.
- N'utilisez pas l'appareil en présence de liquides ou de gaz inflammables.
- Ne tentez pas d'effectuer des opérations dépassant les capacités ou l'expérience de l'opérateur.
- Ne faites pas fonctionner un appareil qui est endommagé, mal réglé ou non complètement et solidement assemblé. Assurez-vous que les pièces mobiles s'arrêtent lorsque l'appareil est éteint. N'utilisez pas l'appareil s'il ne s'allume ou ne s'éteint pas correctement. Les pièces défectueuses doivent être remplacées par un atelier spécialisé.
- Évitez de démarrer l'unité involontairement. S'assurer que le bouton de verrouillage est en position verrouillée avant de brancher ou de débrancher l'appareil et la source d'alimentation. Ne transportez jamais l'appareil alors que vos doigts se trouvent sur la manette des gaz.
- Ne pas utiliser l'appareil si le bouton de verrouillage et la manette des gaz ne permettent pas de démarrer et d'arrêter l'appareil.

SÉCURITÉ EN MATIÈRE DE REBOND



AVERTISSEMENT : Le rebond peut se produire lorsque le nez ou l'extrémité de la tige de guidage touche un objet ou lorsque le bois se referme et pince la chaîne de la tronçonneuse dans la coupe. Dans certains cas, ce contact peut provoquer une ultrarapide action inverse, repoussant rapidement la tige de guidage vers l'opérateur. Le pincement de la chaîne le long du haut de la tige de guidage peut rapidement repousser la tige de guidage vers l'opérateur. Chacune de ces réactions peut causer une perte de contrôle de la scie, ce qui pourrait causer des blessures graves à l'utilisateur. Le contact avec des corps étrangers dans le bois peut également induire une perte de commande de la tronçonneuse.

Comprendre le rebond

Une compréhension de base du rebond peut aider à réduire ou à éliminer l'élément de surprise et le risque de blessure y étant lié. Les surprises contribuent aux accidents.

- **Le rebond de rotation** peut se produire lorsque la pointe supérieure de la tige de guidage entre en contact avec un objet alors que la chaîne est en mouvement (Fig. B). Cela peut causer l'enfoncement de la chaîne dans l'objet et l'arrêter momentanément de bouger. La tige de guidage est ensuite soulevée et repoussée vers l'utilisateur en une réaction inverse ultrarapide.
- **Les rebonds linéaires** Un rebond peut se produire lorsque le bois de chaque côté d'une entaille se referme et pince la chaîne mobile le long de la partie supérieure du guide. (Fig. C). Cela peut causer l'arrêt instantané de la chaîne. La force de la chaîne est alors inversée, ce qui provoque le déplacement de la scie en sens inverse, envoyant la scie vers l'arrière, en direction de l'opérateur.
- **La rétraction** peut se produire lorsque la chaîne au fond de la tige de guidage frappe un corps étranger à l'intérieur du bois. Cela peut causer l'arrêt soudain de la chaîne. La scie est ensuite tirée vers l'avant et à l'écart de l'opérateur, ce qui pourrait entraîner la perte de contrôle de la scie.

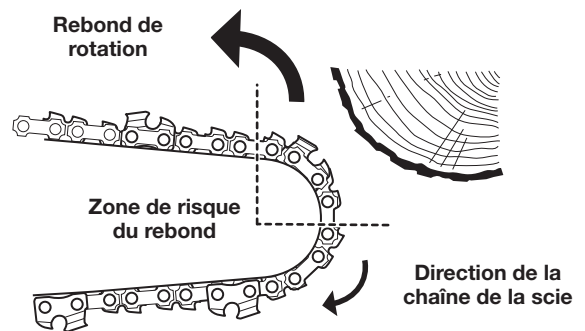


Fig. B

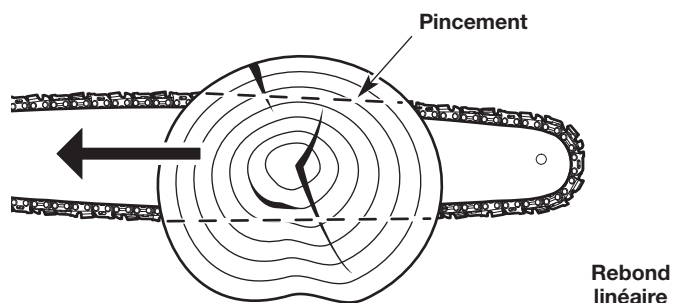


Fig. C

Consignes de sécurité en matière de rebond

Prenez les mesures suivantes pour réduire le risque d'accident ou de blessure :

- Ne comptez pas exclusivement sur les dispositifs de sécurité intégrés à l'appareil.
- Ne coupez pas à une hauteur supérieure aux épaules.
- Ne vous penchez pas trop en avant. Conservez toujours une position stable et un bon équilibre. Redoublez de prudence lorsque vous travaillez dans des escaliers, des pentes ou des rampes abruptes.
- Ne coupez pas avec la pointe du guide.
- Assurez-vous que la zone d'opération est libre de tout obstacle. Ne laissez pas la pointe de la tige de guidage entrer en contact avec un objet, comme une bûche, une branche du sol ou tout autre obstacle.
- Inspectez toujours le bois avant de le couper. Des corps étrangers pourraient endommager l'appareil ou provoquer des blessures graves. Ne coupez jamais les clous, les tiges métalliques, les traverses ou les palettes.
- N'actionnez pas l'appareil avec une seule main! Des blessures graves à l'opérateur, aux aides ou aux passants peuvent résulter de l'utilisation d'une seule main. Cet appareil est conçu pour une utilisation à deux mains. Saisissez toujours fermement l'appareil avec les deux mains lorsqu'il est en marche. Saisissez la poignée avant avec la main gauche et la poignée arrière avec la main droite. Encerclez fermement la poignée avec tous les doigts de la main. Ne laissez pas aller. Une prise ferme vous aidera à garder le contrôle de l'appareil et à réduire le risque de rebond.
- Tenez-vous légèrement à la gauche de l'appareil pour éviter d'être dans la ligne directe de la chaîne.
- Ne démarrez jamais la tronçonneuse lorsque la tige de guidage est à l'intérieur d'une entaille. Soyez extrêmement prudent lorsque vous réintégrez une coupe.
- Commencez toujours à couper alors que l'unité fonctionne à pleine vitesse. Appuyez fermement sur le levier d'accélération et maintenez une vitesse de coupe constante. Les vitesses plus lentes augmentent le risque de rebond.
- Gardez le logement de la scie appuyé fermement contre le bois.
- Ne coupez pas plus d'une bûche ou d'une branche à la fois.
- Ne tournez pas l'appareil en retirant le guide-chaîne d'une coupe.
- Méfiez-vous des déplacements d'objets (bûches, branches, etc.) qui pourraient bloquer ou tomber sur la chaîne en cours de fonctionnement.
- N'utilisez que des cales en bois ou en plastique. N'utilisez pas de métal pour maintenir une entaille ouverte.
- Suivez les instructions du fabricant en matière d'affûtage et d'entretien de la chaîne de scie.
- N'utilisez que des barres et des chaînes spécifiées par le fabricant, ou l'équivalent. Elles sont disponibles auprès d'ateliers de réparations agréés. L'utilisation de pièces ou d'accessoires non autorisés peut entraîner des blessures sérieuses à l'opérateur ou endommager l'appareil et annuler la garantie.
- Utilisez des dispositifs qui permettent de réduire les risques associés à un rebond, comme des chaînes à faible rebond, des protège-nez de guide-chaîne, des freins de la chaîne et des guide-chaîne à faible rebond. Selon la norme CSA Z62.3, il n'existe aucune autre pièce de rechange pour assurer la protection d'un rebond.

- Une chaîne à faible tendance au rebond qui a satisfait aux conditions de fonctionnement de la norme ANSI/OPEI B175.1-2012 lorsqu'elle est testée selon les dispositions spécifiées dans la norme ANSI/OPEI B175.1-2012. Une scie à chaîne à faible rebond est une chaîne qui est également conforme à la norme CSA Z62.3. N'utilisez pas une chaîne de remplacement à moins qu'elle n'ait satisfait à ces exigences pour ce modèle en particulier ou qu'elle ait été désignée comme chaîne à faible tendance au rebond de remplacement conformément à la norme ANSI/OPEI B175.1-2012. Tandis que les chaînes de scie sont aiguisées, certaines des qualités de faible risque de rebond sont perdues et des précautions particulières doivent être prises.
- N'installez pas une barre en boucle sur cet appareil. Les barres en boucle ont de plus grandes zones de rebond, ce qui augmente le risque de rebond et de blessures graves. Cette augmentation n'est pas significativement réduite en utilisant une chaîne à faible tendance au rebond. L'utilisation d'une barre en boucle sur cet appareil est extrêmement dangereuse.

AUTRES AVERTISSEMENTS DE SÉCURITÉ





- Maintenez l'unité avec soin. Suivez toutes les instructions d'entretien de ce manuel.
- Toutes les réparations, autres que les procédures de maintenance décrites dans ce manuel, doivent être effectuées par un centre de réparations agréé.
- N'utilisez pas l'appareil s'il ne fonctionne pas correctement, s'il a été échappé, laissé à l'extérieur ou s'il est tombé dans l'eau. Faire réparer l'appareil par un centre de réparations agréé.
- Ne retirez, modifiez ou rendez jamais inopérant tout dispositif de sécurité fourni avec l'appareil.
- Avant une inspection, un entretien, un nettoyage, un entreposage, un transport ou le remplacement d'une pièce de l'appareil :
 1. Arrêtez le moteur. Consultez les sections *Mise en marche et Arrêt*.
 2. Attendez que toutes les pièces mobiles s'arrêtent.
 3. Débrancher l'appareil de la source d'alimentation.
 4. Laissez l'appareil refroidir.
- Assurez-vous que l'appareil est sécurisé pour les transports.
- Pendant le transport et le stockage, utilisez toujours le fourreau sur la tige de guidage et la chaîne.
- Rangez l'appareil dans un endroit sec et sûr ou en hauteur pour éviter une utilisation non autorisée ou des dommages. Gardez toujours l'appareil hors de portée des enfants.
- N'arrosez jamais l'appareil avec de l'eau ou tout autre liquide. Évitez que de l'eau ne pénètre dans le moteur ou dans les connexions électriques. Gardez les poignées sèches et propres (sans débris, huile et graisse). Nettoyez l'appareil après chaque utilisation. Reportez-vous à *Nettoyage et rangement*. N'utilisez pas de solvants ou de détergents puissants.
- Conservez ces instructions. Consultez-les souvent et utilisez-les pour former d'autres utilisateurs. Si vous prêtez cet appareil à d'autres personnes, remettez-leur également ces instructions.

CONSERVEZ CES INSTRUCTIONS

• SYMBOLES INTERNATIONAUX ET DE SÉCURITÉ •

Ce manuel de l'utilisateur décrit les symboles et pictogrammes de sécurité internationaux qui peuvent apparaître sur cet appareil. Lisez ce manuel d'utilisation pour une information complète sur la sécurité, l'assemblage, l'utilisation, l'entretien et les réparations.

SIGNIFICATION DES SYMBOLES

	<p>• SYMBOLE D'ALERTE DE SÉCURITÉ</p> <p>Indique un danger, un avertissement ou une mise en garde. Peut être utilisé de concert avec d'autres symboles ou pictogrammes.</p>
	<p>• LISEZ LE MANUEL DE L'UTILISATEUR</p> <p>AVERTISSEMENT : Lisez le(s) manuel(s) de l'utilisateur et suivez toutes les consignes de sécurité et de prévention. Tout manquement peut entraîner des blessures graves pour l'utilisateur et/ou pour les personnes à proximité.</p>
	<p>• PORTER UN CASQUE, DES LUNETTES ET DES PROTECTIONS AUDITIVES</p> <p>AVERTISSEMENT : Les objets projetés et le bruit peuvent entraîner des lésions oculaires graves et des pertes auditives. Portez toujours des lunettes de sécurité conformes aux normes ANSI / ISEA Z87.1 en vigueur et des protections auditives lorsque vous utilisez cet appareil. Portez un casque lors de l'utilisation de cet appareil, car la chute d'objets peut causer des blessures graves à la tête. Protégez-vous le visage avec un masque intégral au besoin.</p>
	<p>• N'UTILISEZ PAS L'APPAREIL SOUS LA PLUIE</p> <p>AVERTISSEMENT : Évitez les environnements dangereux. N'utilisez jamais l'appareil sous la pluie ou par temps humide. L'humidité constitue un risque d'électrocution.</p>
	<p>• DOUBLE ISOLATION</p> <p>Deux systèmes d'isolation sont fournis au lieu d'une mise à la terre. Il n'y a pas de mise à la terre fournie et aucun moyen de mise à la terre ne doit être ajouté à l'appareil.</p>
V	• VOLTS - Tension
A	• AMPÈRES - Courant
Hz	• HERTZ - Fréquence (cycles par seconde)
AC	• COURANT ALTERNATIF - Type de courant
"	• POUCE - Unité de mesure (impérial)
mm	• MILLIMÈTRE - Unité de mesure (métrique)

SIGNIFICATION DES SYMBOLES

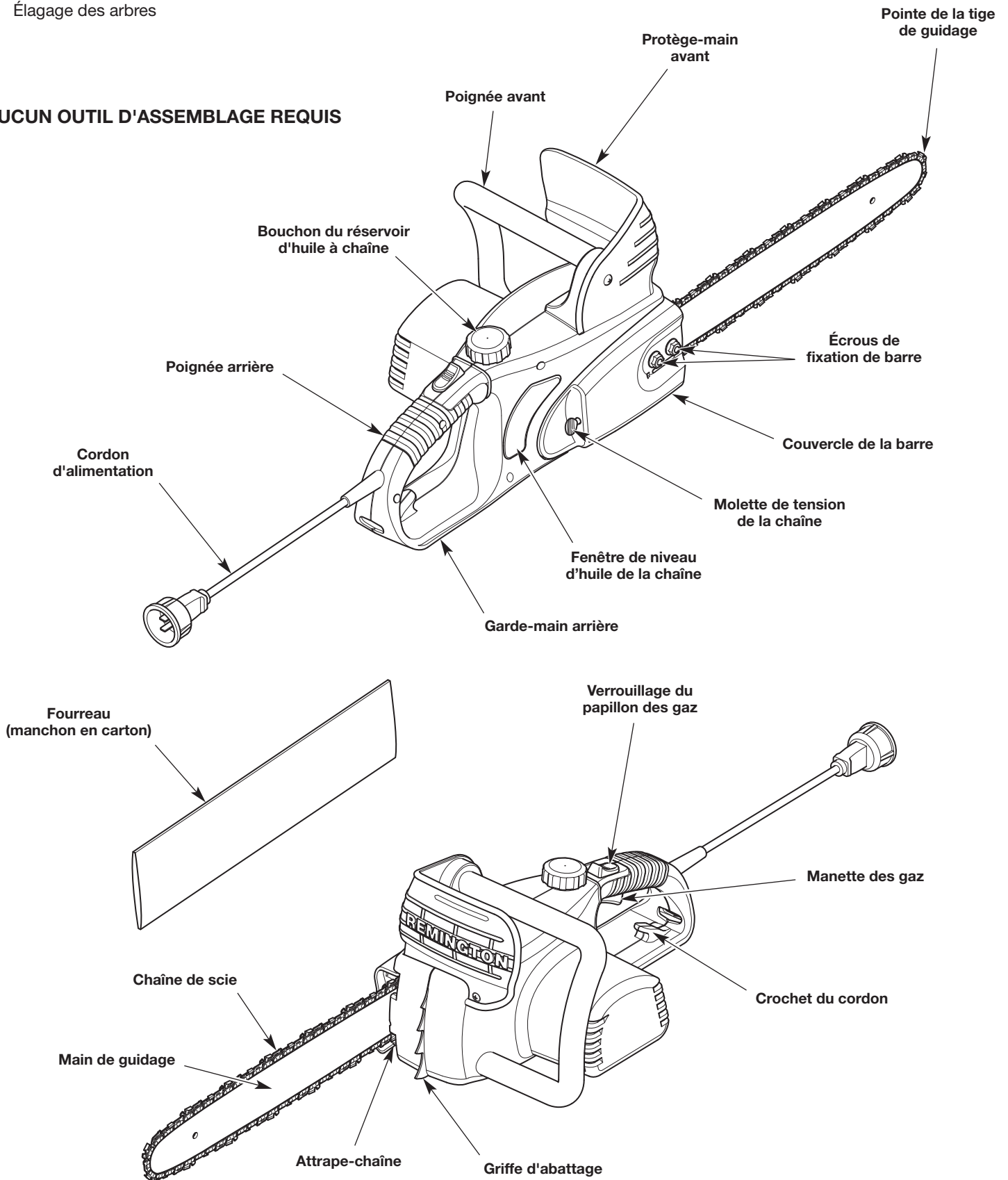
	<p>• COMMANDE MARCHÉ/ARRÊT</p> <p>MARCHE / DÉMARRAGE / FONCTIONNEMENT</p>
	<p>• COMMANDE MARCHÉ/ARRÊT</p> <p>ARRÊT ou STOP</p>
<p>Min. 50 ft (15m)</p> 	<p>• ÉLOIGNEZ LES PERSONNES SE TROUVANT À PROXIMITÉ</p> <p>AVERTISSEMENT : Faites reculer les personnes se trouvant à proximité, en particulier les enfants et les animaux domestiques, d'au moins 15 m (50 pieds) de la zone de travail.</p>
	<p>• UTILISEZ LES DEUX MAINS</p> <p>AVERTISSEMENT : Utilisez toujours les deux mains pendant le fonctionnement de l'appareil. N'utilisez jamais une seule main pour faire actionner l'appareil.</p>
	<p>• REBOND</p> <p>AVERTISSEMENT : Le contact de la pointe du guide-chaîne avec tout autre objet doit être évité. Ce contact peut faire soudainement bouger le guide-chaîne vers le haut et vers l'arrière, ce qui peut causer des blessures graves.</p>
	<p>• D'HUILE DE LA CHAÎNE</p> <p>Pour fonctionner correctement, la chaîne doit être continuellement recouverte d'huile. Assurez-vous que le réservoir d'huile de la chaîne est toujours rempli. Utilisez toujours l'huile de la barre et de la chaîne.</p>
	<p>• SENS DE LA CHAÎNE</p> <p>Assurez-vous que la chaîne fait face à la direction indiquée lorsqu'elle est installée sur le guide-chaîne. Reportez-vous à la section <i>Installation du guide-chaîne et de la chaîne</i> de la section <i>Entretien</i>.</p>
	<p>• TENSION DE LA CHAÎNE</p> <p>Gardez toujours la chaîne bien tendue. Tourner la molette de tension de la chaîne dans le sens horaire pour tendre la chaîne de la scie. Tourner la molette de tension de la chaîne dans le sens antihoraire pour relâcher la chaîne de la scie.</p>

FAMILIARISEZ-VOUS AVEC VOTRE APPAREIL

APPLICATIONS

- Abattage et ébranchage d'arbres
- Coupe de bûches (tronçonnage)
- Élagage des arbres

AUCUN OUTIL D'ASSEMBLAGE REQUIS



MODALITÉS ET DÉFINITIONS ESSENTIELLES

- **TRONÇONNEUSE** - Un outil conçu pour couper du bois avec une scie à chaîne. Une tronçonneuse est un appareil intégré composé d'un moteur, d'une chaîne, d'une barre de guidage et de poignées qui sont conçus pour être maintenus à deux mains pendant le fonctionnement.
- **PARTIE MOTEUR DE LA TRONÇONNEUSE** - Une tronçonneuse sans chaîne et guide.
- **PIGNON D'ENTRAÎNEMENT** - Une roue dentée qui entraîne la chaîne.
- **POIGNÉE AVANT** - Une poignée de support située vers l'avant de la tronçonneuse.
- **POIGNÉE ARRIÈRE** - Une poignée de support située vers l'arrière de la tronçonneuse.
- **GARDE-MAIN AVANT** - Une barrière structurelle entre la poignée avant et la barre de guidage. Le protège-main avant aide à protéger la main gauche de l'opérateur si elle glisse de la poignée avant alors que l'appareil est en marche.
- **GARDE-MAIN ARRIÈRE** - Une barrière structurelle sous la poignée arrière. Le protège-main arrière permet de protéger la main droite de l'opérateur en cas de rupture ou de désengagement de la chaîne dans la barre de guidage pendant le fonctionnement.
- **BARRE DE GUIDAGE** - Une solide structure sur rail qui soutient et guide la chaîne de la scie.
- **POINTE DE LA BARRE DE GUIDAGE** - La pointe ou à l'extrémité de la barre de guidage.
- **BARRE DE GUIDAGE À FAIBLE REBOND** - Un guide dont il a été démontré qu'il y a réduction significative du rebond.
- **CHAÎNE** - Une boucle de chaîne avec des dents destinée à couper du bois, qui est entraînée par le moteur et soutenue par la barre de guidage. La chaîne de la scie est composée de maillons d'entraînement, de dispositifs de coupe et de maillons secondaires assemblés par des rivets.
- **CHAÎNE À FAIBLE REBOND** - Une chaîne de scie qui est conforme aux exigences en matière de rebond de la norme ANSI/OPEI B175.1-2012 lors d'un essai sur un échantillon représentatif de scies à chaîne. En raison de jauges de profondeur et de maillons de protection spécialement conçus, une chaîne à faible tendance de rebond réduit considérablement le risque de rebond et son intensité.
- **CHAÎNE DE RECHANGE** - Une chaîne de scie qui est conforme aux exigences en matière de rebond de la norme ANSI/OPEI B175.1-2012 lors d'un essai sur un échantillon représentatif de scies à chaîne. Elle peut ne pas répondre aux normes de performance ANSI/OPEI lorsqu'elle est utilisée avec d'autres scies à chaîne.
- **GRIFFE D'ABATTAGE** - La dent pointue (ou les dents), à l'avant de la scie à chaîne, utilisée lors de l'abattage et du tronçonnage pour aider à pivoter la scie et la maintenir dans une position stable pendant la coupe.
- **ATTRAPE CHAÎNE** - Dispositif conçu pour intercepter une chaîne qui fouette. L'attrape chaîne permet de réduire la possibilité d'une blessure en cas de rupture ou de désengagement de la chaîne dans la barre de guidage pendant le fonctionnement.
- **COMMANDE DU HUILEUR** - Un système de lubrification de la chaîne et du guide.
- **INTERRUPTEUR** - Un dispositif qui, lorsqu'il est actionné, complète ou interrompt le circuit d'alimentation électrique du moteur.
- **LIENS DE L'INTERRUPTEUR** - Un mécanisme qui transfère mouvement de la gâchette (levier d'accélération) à l'interrupteur.
- **GÂCHETTE (LEVIER D'ACCÉLÉRATION)** - Un dispositif qui, lorsqu'il est utilisé en conjonction avec le verrouillage de l'interrupteur (verrouillage du levier d'accélération), met le moteur en marche. Le fait de relâcher la gâchette (levier d'accélération) arrête immédiatement le moteur. La chaîne ralentira alors jusqu'à l'arrêt complet de la scie.
- **VERROUILLAGE DE L'INTERRUPTEUR (VERROUILLAGE DU LEVIER D'ACCÉLÉRATION)** - Un dispositif qui empêche l'appareil de démarrer accidentellement. La gâchette (levier d'accélération) ne peut pas être enfoncée à moins que le verrouillage de l'interrupteur (verrouillage du levier d'accélération) soit engagé manuellement.
- **REBOND** - Un soudain mouvement vers l'arrière ou vers le haut de la barre de guidage et de la chaîne. Un rebond peut se produire si la partie supérieure de la pointe du guide touche un objet alors que la chaîne est en train de tourner (rebond rotatif). Un rebond peut également se produire si le bois se referme et pince la chaîne de la tronçonneuse dans la coupe (rebond linéaire).
- **REBOND ROTATIF** - Un soudain mouvement vers l'arrière ou vers le haut de la barre de guidage et de la chaîne. Un rebond rotatif peut se produire si la partie supérieure de la pointe du guide touche un objet alors que la chaîne est en train de tourner. La tige de guidage est ensuite soulevée et repoussée vers l'utilisateur en une réaction inverse ultrarapide.
- **REBOND LINÉAIRE (REBOND DE PINCEMENT)** - Un soudain mouvement vers l'arrière de la barre de guidage et de la chaîne. Un rebond linéaire (pincement) peut également se produire si le bois se referme et pince la chaîne de la tronçonneuse dans la coupe. La scie est ensuite envoyée directement vers l'utilisateur.
- **POSITION DE COUPE NORMALE** - Les positions prises pendant les coupes de tronçonnage et d'abattage.
- **ABATTAGE** - Le processus de l'abattage d'un arbre.
- **ENTAILLE D'ABATTAGE** - La première méthode de coupe du processus d'abattage des arbres. Une entaille est coupée d'un côté de l'arbre afin de diriger sa chute.
- **COUPE D'ABATTAGE** - La coupe finale dans le processus d'abattage des arbres. La coupe d'abattage est faite du côté opposé de l'arbre où se trouve l'entaille.
- **TRONÇONNAGE** - La méthode de coupe d'un arbre abattu ou de découpe en billes.
- **ÉBRANCHAGE** - La méthode d'élimination des branches d'un arbre tombé.
- **ÉMONDAGE** - La méthode qui consiste à couper les branches d'un arbre vivant.

SPÉCIFICATIONS*

Type de moteur	Électrique, à fil
Tension du moteur	120 volts c.a.
Intensité du moteur	12 ampères
Lubrification	Huile à barre et à chaîne
Capacité du réservoir d'huile à chaîne	262 mL (8,8 onces liq.)
Poids approximatif (sans huile à chaîne)	4,1 à 4,5 kg (9 à 10 lb)
Longueur du guide-chaîne	40,6 cm (16 po)
Pas de la chaîne de scie	9,5 mm (3/8 po)
Calibre de la chaîne de scie	1,3 mm (0,050 po)

* L'ensemble des spécifications est basé sur les toutes dernières informations disponibles sur le produit à l'impression de ce manuel. Nous nous réservons le droit d'apporter des modifications à tout moment sans avis préalable.

PIÈCES DE RECHANGE

Veillez appeler le service d'assistance à la clientèle pour commander des pièces de rechange.

Numéro de pièce	Description
713-04090	Chaîne à scie (40,6 cm / 16 po)
795-00119	Guide-chaîne (40,6 cm / 16 po)
712-04230	Écrous de fixation de barre

AJOUT D'HUILE À GUIDE-CHAÎNE ET À CHAÎNE PREMIÈRE UTILISATION

Cet appareil est livré de l'usine avec le réservoir d'huile à chaîne vide. Remplir le réservoir d'huile à chaîne et guide avant de démarrer ou d'utiliser l'appareil. Reportez-vous à *Ajout d'huile à guide-chaîne* et à chaîne de la section *Entretien*.

RÉGLAGE DE LA TENSION DE LA CHAÎNE : PREMIÈRE UTILISATION

La chaîne de la scie doit être bien tendue avant de tenter de démarrer ou de faire fonctionner l'appareil. La chaîne de la scie peut également nécessiter des tensions supplémentaires tandis que la chaîne chauffe en cours de fonctionnement. Reportez-vous à *Réglage de la tension de la chaîne* de la section *Entretien*.

CONNEXION ET DÉCONNEXION DES SOURCES D'ALIMENTATION



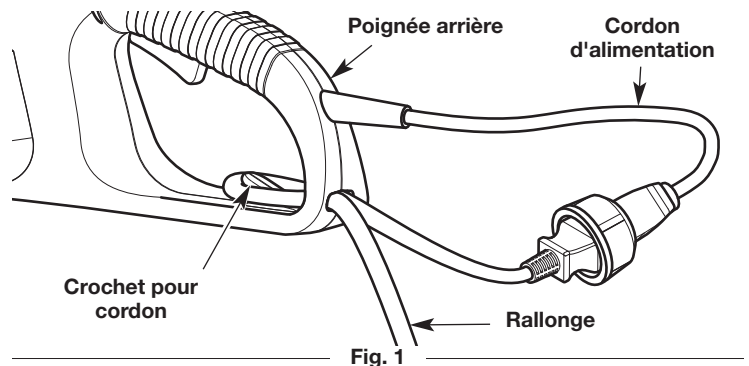
AVERTISSEMENT : S'assurer que la commande des gaz est relâchée avant de brancher ou de débrancher la source d'alimentation. Se reporter à la section *Démarrage et arrêt*.

Raccordement de l'appareil à la source d'alimentation

1. Brancher le cordon d'alimentation dans la rallonge.
2. Faire une boucle étroite dans la rallonge (Fig. 1).
3. Pousser la boucle à travers le trou de la poignée arrière (Fig. 1).
4. Placer la boucle sur le crochet du cordon (Fig. 1). Tirer doucement sur la boucle pour fixer le cordon en place.
5. Brancher la rallonge dans une prise de courant appropriée.

Déconnexion de l'appareil à la source d'alimentation

1. Débrancher la rallonge de la prise de courant.
2. Débrancher le cordon d'alimentation de la rallonge.
3. Retirer le cordon en boucle du crochet et du trou de la poignée arrière (Fig. 1).



DÉMARRAGE ET ARRÊT



AVERTISSEMENT : Ne faites jamais fonctionner l'appareil sans que le guide-chaîne et la chaîne soient correctement installés. Assurez-vous que les écrous du guide-chaîne soient bien serrés et que le guide-chaîne est solidement assemblé. Assurez-vous que la chaîne est correctement tendue.



AVERTISSEMENT : La chaîne de la scie tournera dès la mise en marche de l'appareil. Gardez les mains et les pieds éloignés de la chaîne de la tronçonneuse et ne laissez pas la chaîne entrer en contact avec des objets.

AVANT DE METTRE L'APPAREIL EN MARCHÉ

1. Remplissez le réservoir d'huile avec de l'huile à guide-chaîne et à chaîne. Reportez-vous à *Ajout d'huile à guide-chaîne et à chaîne* de la section *Entretien*.
2. Brancher le cordon d'alimentation dans une rallonge appropriée. Brancher la rallonge dans une prise de courant appropriée. Reportez-vous à la section *Connexion et déconnexion des sources d'alimentation*.

CONSIGNES POUR DÉMARRER L'APPAREIL

Pour empêcher le démarrage accidentel du moteur, le verrouillage du levier d'accélération et le contrôle du levier d'accélération doivent tous deux être engagés afin de démarrer l'appareil.

1. Appuyer sur le bouton de verrouillage du levier d'accélération et le maintenir enfoncé (Fig. 2).
2. Continuer à appuyer sur le verrouillage du levier d'accélération. Appuyer sur le levier d'accélération et le maintenir enfoncé pour démarrer l'appareil (Fig. 2).
3. Relâcher le verrouillage, mais maintenir la commande du levier d'accélération enfoncée.

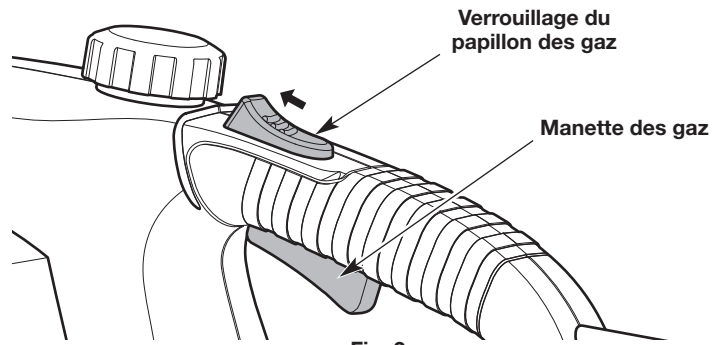


Fig. 2

INSTRUCTIONS D'ARRÊT

1. Relâchez la manette des gaz et attendez que toutes les pièces mobiles s'arrêtent complètement (Fig. 2).

REMARQUE : Lors de la libération du levier d'accélération, le verrouillage de l'accélération se remet en position verrouillée.



AVERTISSEMENT : N'exposez pas les outils électriques à la pluie ou au temps humide.



AVERTISSEMENT : Toujours vérifier la tension de la chaîne avant l'utilisation et fréquemment lors de l'utilisation. La régler au besoin. Reportez-vous à *Réglage de la tension de la chaîne* de la section *Entretien*.



AVERTISSEMENT : Assurez-vous que le réservoir d'huile de la chaîne est plein avant de l'utiliser. Vérifiez en permanence le niveau d'huile afin qu'il ne descende pas à moins de la moitié. Pour fonctionner correctement, la chaîne doit être continuellement recouverte d'huile.



AVERTISSEMENT : Portez toujours des lunettes de sécurité, des protections auditives, des gants, des chaussures protectrices et une protection corporelle pour réduire le risque de blessure lors de l'utilisation de cet appareil. Portez un casque. Protégez-vous le visage avec un masque intégral au besoin. Reportez-vous à la section *Sécurité* pour connaître l'information relative à l'équipement de protection approprié.

CONSEILS POUR OBTENIR DE MEILLEURS RÉSULTATS

- Respectez toutes les consignes de sécurité. Reportez-vous à la section *Sécurité*.
- Ne coupez que du bois et des matériaux dérivés du bois. N'essayez pas de couper de la tôle, du plastique, de la maçonnerie ou des matériaux autres que du bois.
- Exercez-vous à couper quelques petites bûches avant de commencer des coupes importantes. Les nouveaux utilisateurs doivent s'exercer à couper des billes sur un chevalet ou un appui avant d'entreprendre d'autres activités.
- N'essayez pas de couper des arbres ou des bûches ayant des diamètres supérieurs à 30,5 cm (12 po).

PRÉPARATION DE LA ZONE DE TRAVAIL

- Éloignez les enfants, les passants et les animaux domestiques ; ils doivent rester dans un rayon d'au moins 15 mètres (50 pieds). Même à cette distance, il existe néanmoins un risque de projectiles pour les personnes à proximité. Encouragez-les à porter des lunettes de sécurité. Si quelqu'un s'approche de vous, arrêtez immédiatement l'appareil. Lors de l'abattage, la distance de sécurité est d'au moins deux fois la hauteur de l'arbre le plus haut dans la zone de travail. Lors du tronçonnage, gardez les travailleurs à au moins 4,6 m (15 pi) de distance.
- Gardez la zone de travail propre. Les endroits encombrés favorisent les accidents. Ne commencez pas à couper avant que la zone de travail soit dégagée et libre de tout obstacle. Assurez-vous d'avoir une position stable et qu'une voie de retraite soit prévue en raison de chutes de branches.
- Ne coupez pas à proximité de câbles électriques ou de lignes à haute tension. Demeurez à au moins 15 m (50 pi) de toutes les lignes électriques.
- Utilisez l'appareil uniquement en plein jour ou avec un bon éclairage artificiel.

COMMENT TENIR L'APPAREIL

 **AVERTISSEMENT** : Saisissez toujours la poignée avant avec la main gauche et la poignée arrière avec la main droite. Gardez toujours toutes les parties du corps à la gauche de la ligne de chaîne.

- Encerclez fermement la poignée avec tous les doigts de la main (Fig. 3). Cela permettra de réduire le risque de perte de contrôle de l'appareil en cas de rebond. Toute prise avec le pouce et les doigts du même côté de la poignée est dangereuse (Fig. 4).
- Saisissez toujours fermement l'appareil avec les deux mains lorsqu'il est en marche.
- Maintenez la poignée avant avec la main gauche. Gardez le bras gauche bien tendu pour aider à faire face à un rebond potentiel.
- Maintenez la poignée arrière avec la main droite. Gardez le bras droit légèrement plié.
- Utilisez ces placements de main que l'opérateur soit gaucher ou droitier. Cela permettra de garder l'opérateur légèrement sur la gauche de l'appareil et à l'écart de la ligne directe de la tronçonneuse en cas de rebond (Fig. 5 et Fig. 6).
- Tenez-vous dans une position stable, les pieds écartés et fermement posés sur le sol.
- Ne coupez pas à une hauteur supérieure aux épaules. Ne tendez pas le bras trop loin.

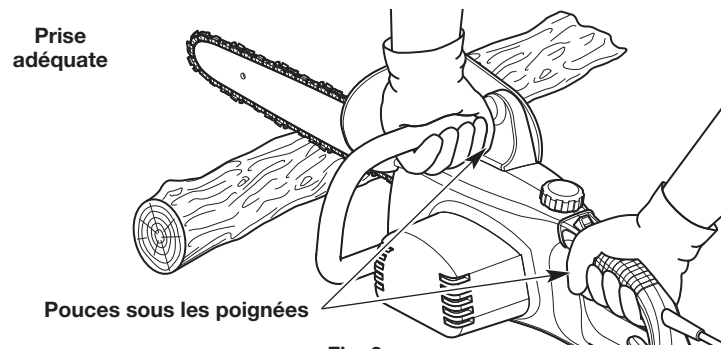


Fig. 3

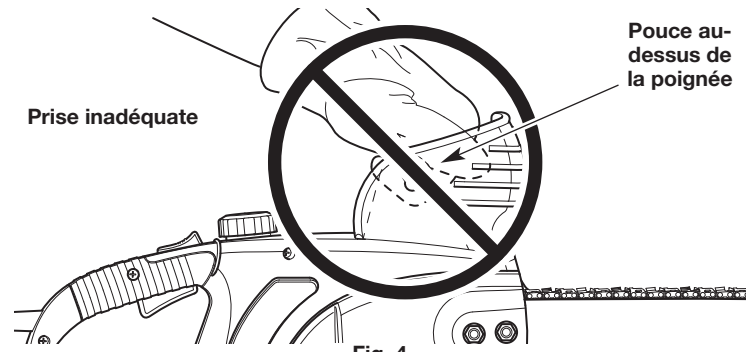


Fig. 4

FONDEMENT DES PROCÉDURES DE COUPE

1. Démarrez l'appareil. Reportez-vous aux *Instructions de démarrage* dans la section *Démarrage et arrêt*.
2. Faites accélérer l'appareil à pleine vitesse avant de couper.
3. Appuyez l'appareil contre le bois et maintenez une pression ferme et régulière pendant la plupart des coupes. Ne mettez pas de pression sur l'appareil à la fin de la coupe.
4. Maintenez une vitesse constante tout au long de la coupe. Gardez l'appareil en fonctionnement tout au long de la coupe.
5. Ne forcez pas la scie dans le bois. Laissez la tronçonneuse faire la coupe. Exercez uniquement une légère pression. Le fait de forcer la coupe peut entraîner des dommages à l'appareil ou des blessures.
6. Relâchez la commande des gaz, dès que la coupe est terminée. Laissez la chaîne s'arrêter complètement. La chaîne de la tronçonneuse, le guide-chaîne et le moteur peuvent subir une usure inutile si l'appareil est actionné sans charge de coupe.

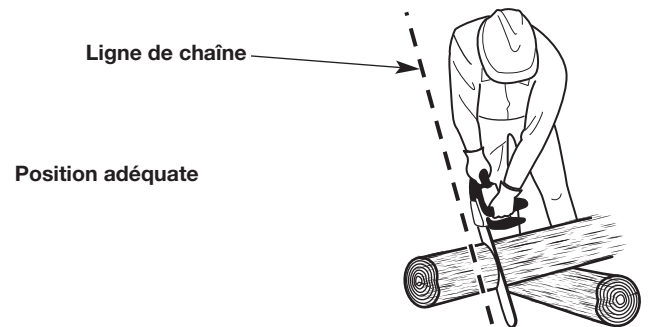


Fig. 5

ABATTAGE : SÉCURITÉ

L'abattage est le processus de coupe d'un arbre. Pour réduire le risque de blessures graves, de dommages matériels et de dommages aux fils électriques, respectez les consignes de sécurité :

- N'abattez pas d'arbres avec un penchant extrême. N'abattez pas les arbres comportant des branches pourries, de l'écorce lâche ou des troncs creux. Ces arbres doivent être poussés ou tirés avec du matériel lourd.
- Ne coupez pas des arbres à proximité de bâtiments ou des fils électriques. Laissez ces interventions à des professionnels. Si un arbre abattu entre en contact avec un fil électrique, avisez immédiatement la compagnie d'électricité.
- Vérifiez si l'arbre comporte des branches mortes ou endommagées qui pourraient tomber et causer des blessures graves.
- Enlevez la saleté, les pierres, l'écorce lâche, les clous, les fils de fer et les autres obstructions de la partie de l'arbre qui sera coupée.

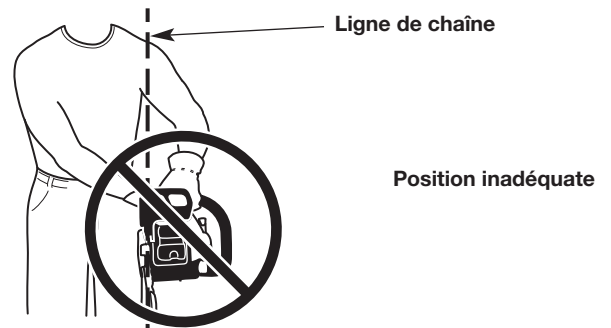


Fig. 6

- Lorsque du tronçonnage et des opérations d'abattage sont effectués par au moins deux personnes dans la même zone, ils doivent être séparés les uns des autres de l'équivalent d'au moins deux fois la hauteur de l'arbre à abattre.
- Envisagez la force et la direction du vent. Pensez au penchant et à l'équilibre de l'arbre. Pensez à l'emplacement des grosses branches. Tous ces facteurs influent sur la direction de chute de l'arbre. N'essayez pas d'abattre un arbre dans une direction autre que sa ligne de tombée naturelle.
- N'abattez pas les arbres durant les périodes de précipitations ou de vents violents.
- Déterminez une voie d'évacuation sûre et rapide. Dégagez la zone autour de l'arbre et assurez-vous qu'il n'y ait aucun obstacle bloquant la voie d'évacuation. Mettez en place un corridor d'évacuation de 90°, à environ 135° de la ligne de chute (Fig. 7).
- Restez en amont de l'arbre, il roulera ou glissera plus probablement après sa chute.

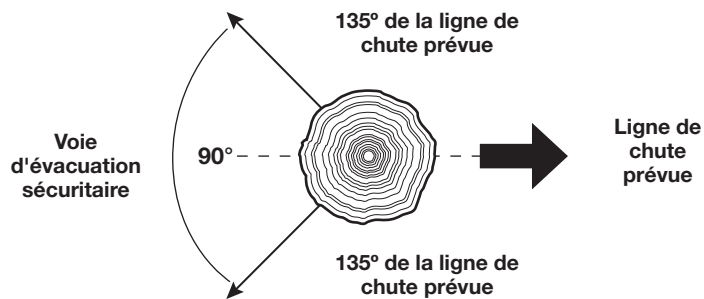


Fig. 7

ABATTAGE : PROCÉDURE

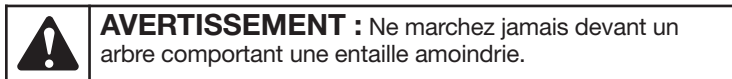
Les petits arbres, jusqu'à 15 à 18 cm (6 à 7 po) de diamètre, sont généralement abattus en une seule coupe. Les plus gros arbres nécessitent une séquence de deux opérations de coupe : une entaille amoindrie suivie d'une coupe d'abattage. Il peut également être nécessaire d'enlever les racines principales.

Étape 1 : Retrait des racines principales

Les racines principales sont de grosses racines qui s'étendent au-dessus du sol et aident à soutenir l'arbre. Si l'arbre comporte de grosses racines qui pourraient entraver le processus d'abattage, suivez ces étapes pour les enlever :

1. Faites une coupe horizontale dans la racine principale (Fig. 8). Pour éviter que le guide-chaîne ne soit pincé par le poids du bois, faites toujours cette coupe en premier.
2. Faites une coupe verticale dans la racine principale (Fig. 8).
3. Retirez la section lâche de la zone de travail.

Étape 2 : Faites une entaille amoindrie



Cette coupe détermine la direction dans laquelle l'arbre tombera. Faites toujours cette coupe du côté où l'arbre doit tomber. Faites la coupe à 90° de la ligne de chute.

1. Faites une coupe horizontale dans le tronc de l'arbre (Fig. 9). La coupe doit être environ un tiers du diamètre de l'arbre et près du sol. Pour éviter que le guide-chaîne ne soit pincé par le poids du bois, faites toujours cette coupe en premier.
2. Faites une coupe de 45° dans le tronc de l'arbre, par-dessus la première coupe (Fig. 9). Continuez la coupe jusqu'à ce que les deux entailles se rencontrent.
3. Retirez la section lâche de la zone de travail.

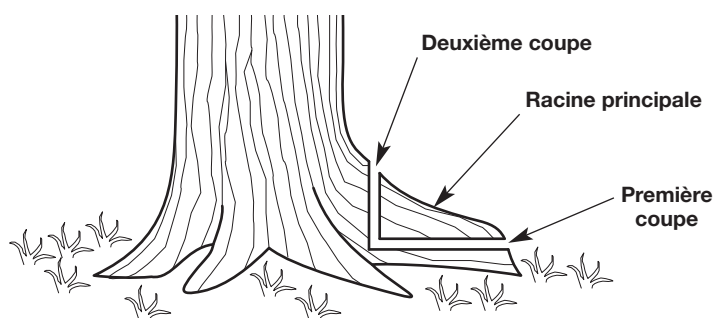


Fig. 8

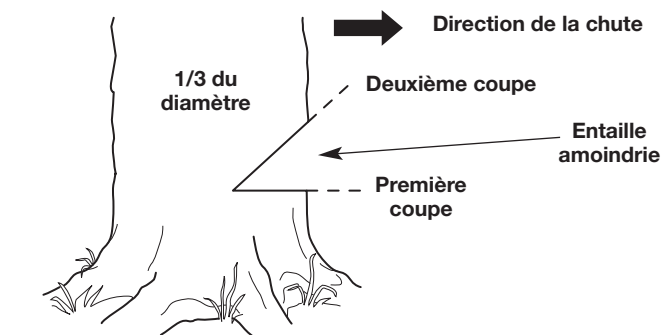


Fig. 9

Étape 3 : Excécutez la coupe d'abattage

	AVERTISSEMENT : Vérifiez toujours de nouveau la zone des passants, des animaux et des obstacles avant de faire la coupe d'abattage.
--	--

Cette coupe abat l'arbre.

1. Faites une coupe horizontale du côté opposé de l'arbre depuis l'entaille amoindrie (Fig. 10). Faites la coupe à environ 5 cm (2 po) au-dessus du fond de l'entaille amoindrie (Fig. 10).
2. Comme la coupe se rapproche de l'entaille amoindrie, seule une mince bande de bois soutiendra l'arbre. Cette bande de bois est considérée comme la charnière (Fig. 10). La charnière permet de contrôler la chute de l'arbre. Laissez environ 5 cm (2 po) de cette charnière en place. Ne coupez pas à travers la charnière. Le fait de couper à travers la charnière peut faire tomber l'arbre dans n'importe quelle direction.
3. Levez périodiquement les yeux au cours de la coupe pour voir si l'arbre tombera dans le bon sens. S'il y a une possibilité que l'arbre ne tombe pas dans la direction souhaitée, ou que l'arbre bascule vers l'arrière et bloque la tronçonneuse, retirez le guide-chaîne de la coupe, arrêtez l'appareil et utilisez des cales pour ouvrir la coupe et diriger la chute (Fig. 11). Utilisez uniquement des cales de plastique souple ou de bois. Entrez lentement les cales dans la coupe. Une fois les cales bien en place et la coupe maintenue en position ouverte, vous pouvez soit réinsérer soigneusement le guide-chaîne et continuer la coupe ou enfoncer lentement les cales plus profondément afin de pousser l'arbre davantage.
4. Tandis que la charnière se rapetisse, l'arbre doit commencer à tomber. Lorsque l'arbre commence à tomber, retirez la tronçonneuse de la coupe, arrêtez le moteur et déposez immédiatement l'appareil. Quittez rapidement la zone le long de la voie de retraite, mais continuez à regarder l'arbre dans sa chute.

	DANGER : Si l'arbre commence à tomber dans la mauvaise direction et se lie à la tronçonneuse, lâchez l'appareil et quittez immédiatement la zone! N'essayez pas de sauver la tronçonneuse!
--	---

	AVERTISSEMENT : Restez à l'écart des arbres sous tension lors de l'utilisation de l'appareil. Les arbres sous tension sont des branches, des bûches, des racines ou des plantes qui sont repliées sous tension par un autre morceau de bois (Fig. 12). Lorsque la tension est relâchée, les arbres sous tension peuvent frapper l'opérateur, causant de graves blessures et pouvant frapper la tronçonneuse et la faire entrer en contact avec le corps de l'opérateur. Soyez extrêmement prudent lors de la coupe d'arbres sous tension ou lors de la libération de la cause de la tension.
--	---

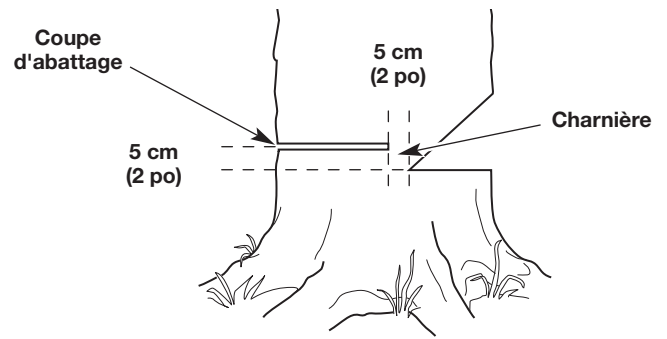


Fig. 10



Fig. 11

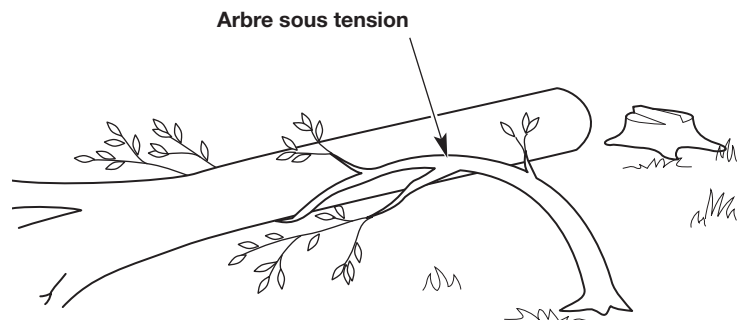


Fig. 12

ÉBRANCHAGE

L'ébranchage est le processus qui consiste à enlever les branches d'un arbre tombé.

1. Laissez les grosses branches de soutien sous l'arbre pour la fin (Fig. 13). Ceux-ci garderont l'arbre au sol pendant le processus d'ébranchage.
2. Coupez une branche à la fois. Tenez-vous du côté opposé de l'arbre à partir de la branche (Fig. 13). Gardez le tronc entre l'opérateur et la tronçonneuse. Pour éviter de bloquer la tronçonneuse, les branches sous tension doivent être coupées de bas en haut.
3. Retirez les branches coupées de la zone de travail.

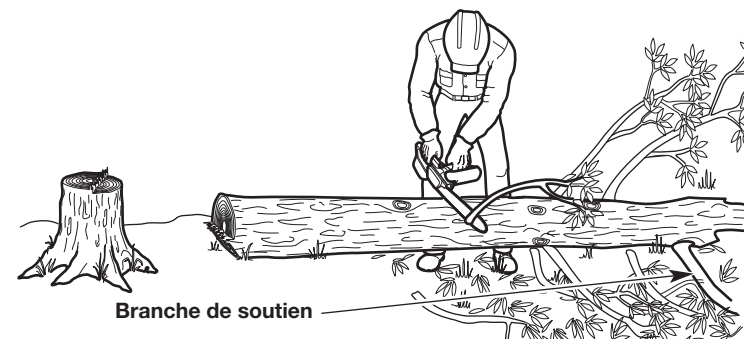


Fig. 13

TRONÇONNAGE : SÉCURITÉ

Le tronçonnage est le processus qui consiste à couper un arbre tombé en bûches de la longueur désirée. Suivez les consignes de sécurité pour réduire le risque de blessures graves :

- Dégagez la zone des objets ou des obstacles qui pourraient entrer en contact avec le guide-chaîne et se traduire par un rebond.
- Lors du tronçonnage sur une pente, tenez-vous toujours du côté en amont de l'arbre tombé.
- Si possible, l'extrémité de l'arbre à couper doit être soulevée du sol. Un cheval de sciage est idéal à cet effet. Si un cheval de sciage n'est pas disponible, utiliser d'autres bûches ou les souches restantes. Assurez-vous que l'arbre est fermement soutenu.
- Ne laissez pas la tronçonneuse entrer en contact avec le sol ou un cheval de sciage.
- Coupez une bûche à la fois. Relâchez la commande des gaz et laissez la tronçonneuse s'arrêter complètement avant de passer à la prochaine bûche.
- Gardez les pieds et toutes les autres parties du corps à l'écart des bûches tombantes.



DANGER: Soyez extrêmement prudent lorsque vous coupez un arbre tombé qui est encore attaché à la structure de la racine. Lorsque le tronc est séparé des racines, il existe de fortes possibilités que la souche retourne dans le trou créé par les racines. Cela peut entraîner des blessures graves, voire la mort. Ne vous tenez jamais dans le trou laissé par les racines. Ne laissez jamais les autres se tenir près de la structure de la racine.

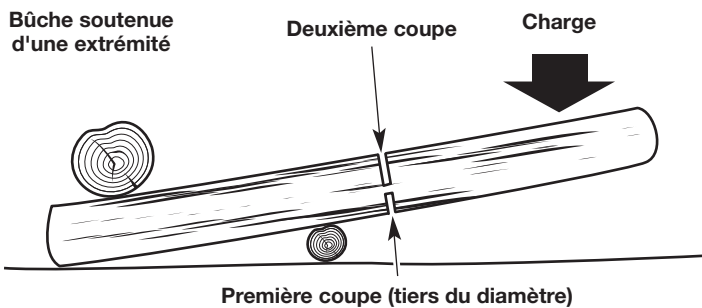


Fig. 14

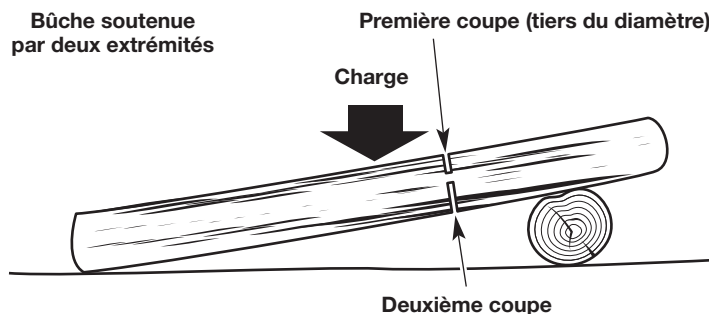


Fig. 15

TRONÇONNAGE : PROCÉDURE

Coupage de bûches soumises à une pression

Lorsque les bûches sont soutenues sur l'une ou les deux extrémités, le bois tend à se courber lors de l'opération de coupe. Cela peut pincer la tronçonneuse entre les deux parties. Portez une attention particulière.

1. Faites une première coupe d'environ le tiers du diamètre de la bûche. Ne coupez pas plus profondément que le tiers.
 - Si la bûche est soutenue sur une extrémité (Fig. 14), faites la première coupe depuis le bas (tronçonnage par dessous). Reportez-vous à *Tronçonnage par-dessous*.
 - Si la bûche est soutenue sur deux extrémités (Fig. 15), faites la première coupe depuis le haut (tronçonnage par dessus). Reportez-vous à *Tronçonnage par-dessus*.
2. Faites la deuxième coupe du côté opposé jusqu'à ce que les deux entailles se rencontrent. Si le diamètre du bois est assez grand, insérez des cales de plastique souple ou de bois pour garder la coupure ouverte et éviter le pincement (Fig. 18). Prenez soin de ne pas toucher aux cales avec la tronçonneuse.

Coupe de bûches entièrement soutenues

Lorsque les bûches sont soutenues sur toute la longueur, des précautions supplémentaires doivent être prises pour s'assurer que la chaîne ne touchera pas au sol ou à une autre structure de soutien (Fig. 16).

1. Coupez à travers la bûche, autant que possible, sans couper dans la structure du sol ou la structure de soutien. Coupez du haut (tronçonnage par dessus). Reportez-vous à *Tronçonnage par-dessus*.
2. Retournez la bûche et finissez la coupe de la bûche par le haut (tronçonnage par dessus).

Tronçonnage par dessus

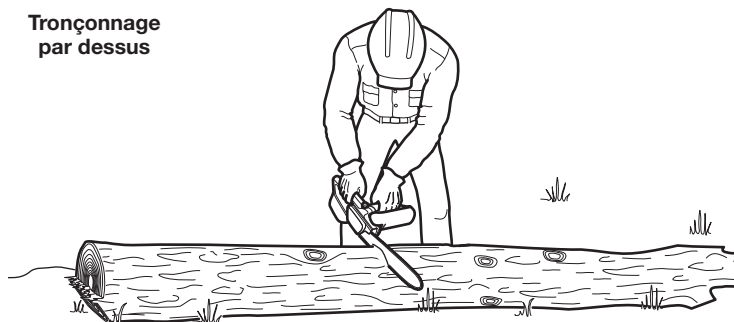


Fig. 16

Tronçonnage par dessous

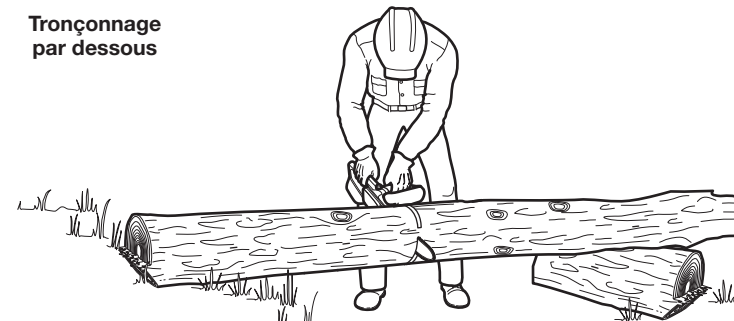


Fig. 17

Tronçonnage par dessus

1. Commencez à couper par le haut, avec le bas de la chaîne de la tronçonneuse contre le dessus de la bûche (Fig. 16).
2. Exercez une légère pression descendante. La scie aura tendance à s'éloigner de l'opérateur. Soyez préparé et maintenez fermement la scie pour garder le contrôle.

Tronçonnage par dessous

1. Commencez à couper par le bas, avec le haut de la chaîne de la tronçonneuse contre le bas de la bûche (Fig. 17).
2. Exercez une légère pression ascendante. La scie aura tendance à se rapprocher de l'opérateur. Soyez préparé et maintenez fermement la scie pour garder le contrôle.

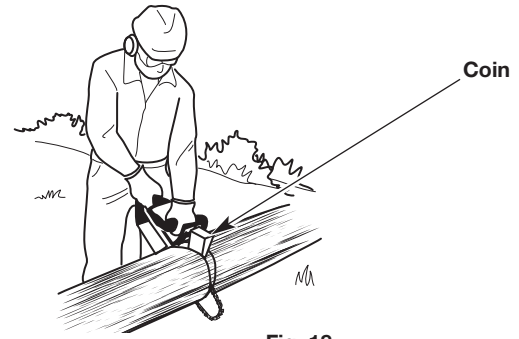


Fig. 18

ÉLAGAGE

AVERTISSEMENT : Ne coupez pas à une hauteur supérieure aux épaules. Utilisez une scie à perche pour couper des branches au-dessus de la hauteur des épaules ou embauchez un professionnel pour le faire. Ne faites pas fonctionner l'appareil dans un arbre ou sur une échelle à moins d'être spécifiquement formé pour le faire.

AVERTISSEMENT : Les branches qui tombent peuvent provoquer des blessures graves. Portez toujours une protection de la tête appropriée. Planifiez une voie d'évacuation à l'écart des branches qui tombent. Lors de la coupe, ne placez aucune partie du corps directement en dessous de la branche.

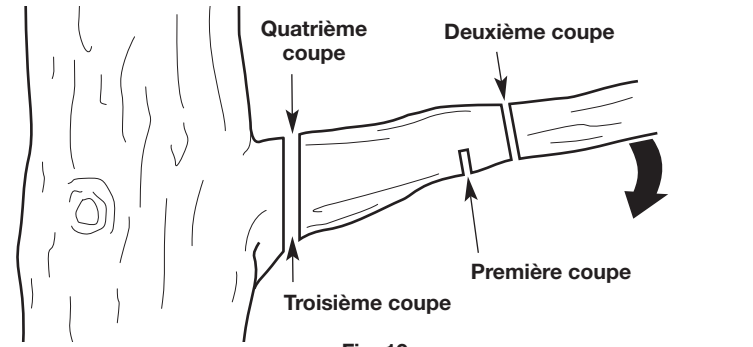


Fig. 19

L'élagage est le processus qui consiste à couper les branches d'un arbre vivant.

1. Faites la première coupe à environ 15 cm (6 po) du tronc de l'arbre. Coupez vers le haut, à partir de la face inférieure de la branche. Utilisez le haut de la barre de guidage pour faire de cette coupe. Coupez jusqu'au tiers du diamètre de la branche (Fig. 19).
2. Faites la deuxième coupe de 5 à 10 cm (2 à 4 po) plus loin sur la branche. Coupez vers le bas, à partir de la face supérieure de la branche. Utilisez le bas de la barre de guidage pour faire de cette coupe. Coupez complètement la branche (Fig. 19).
3. Faites la troisième coupe aussi près du tronc d'arbre que possible. Coupez vers le haut, à partir de la face inférieure de la souche. Utilisez le haut de la barre de guidage pour faire de cette coupe. Coupez jusqu'au tiers du diamètre de la branche (Fig. 19).
4. Faites la quatrième coupe directement au-dessus de la troisième coupe. Coupez vers le bas, à partir de la face supérieure de la souche. Utilisez le bas de la barre de guidage pour faire de cette coupe. Coupez complètement la branche afin d'aller rejoindre la troisième coupe (Fig. 19). Cela supprimera la souche.



AVERTISSEMENT : pour éviter des blessures graves, n'effectuez jamais des travaux d'entretien ou des réparations quand l'appareil est en marche. Débrancher toujours l'appareil de la source d'alimentation pour l'empêcher de démarrer accidentellement. Laissez toujours l'appareil refroidir avant un entretien ou une réparation.

PROGRAMME D'ENTRETIEN

Effectuez ces procédures d'entretien obligatoires aux intervalles indiqués dans le tableau. Ces procédures doivent également faire partie d'une mise au point saisonnière.

Toutes les réparations, autres que les procédures de maintenance décrites dans ce manuel, doivent être effectuées par un centre de réparations agréé.

REMARQUE : certaines procédures d'entretien peuvent nécessiter des compétences ou des outils particuliers. Si vous avez des doutes concernant ces procédures, amenez l'appareil chez un revendeur agréé de MTD.

RESPONSABILITÉ DU CLIENT

INTERVALLE	D'ENTRETIEN OBLIGATOIRE
Avant chaque utilisation	<ul style="list-style-type: none"> • Vérifier le serrage des vis, des écrous et des boulons (serrer au besoin) • Vérifier les pièces endommagées ou usées* • Vérifier le tranchant de la chaîne de la tronçonneuse. Reportez-vous à <i>Affûtage de la chaîne</i>. • Vérifier la tension de la chaîne (ajuster au besoin). Reportez-vous à <i>Réglage de la tension de la chaîne</i>. • Remplir le réservoir d'huile à chaîne (remplir fréquemment). Reportez-vous à <i>Ajout d'huile à guide-chaîne et à chaîne</i>.
Après chaque utilisation	<ul style="list-style-type: none"> • Nettoyer l'appareil et vérifier les décalcomanies. Reportez-vous à <i>Nettoyage</i> dans la section <i>Nettoyage et rangement</i>.
Toutes les 10 heures	<ul style="list-style-type: none"> • Nettoyer la rainure du guide-chaîne et les passages d'huile.

* Si un entretien ou un remplacement est nécessaire, faites réparer l'appareil par un centre de réparations agréé MDT.

AJOUT D'HUILE À GUIDE-CHAÎNE ET À CHAÎNE

DANGER : Le fait de ne pas remplir le réservoir d'huile de la chaîne causera des dommages irréparables à l'appareil. Assurez-vous que le réservoir d'huile de la chaîne est toujours rempli. Utilisez toujours l'huile de la barre et de la chaîne.

AVERTISSEMENT : L'huile s'écoule en permanence du réservoir d'huile à chaîne afin d'huiler la chaîne. Vérifiez fréquemment le niveau d'huile à chaîne afin qu'il ne descende pas à moins de la moitié.

Le guide-chaîne et la chaîne de scie nécessitent une lubrification pour minimiser la friction. Ne privez jamais le guide-chaîne et la chaîne d'huile de lubrification. Faire fonctionner l'appareil sans suffisamment d'huile diminuera l'efficacité de coupe, raccourcira la durée de vie de la chaîne, provoquera le ternissement rapide de la chaîne et l'usure excessive du guide-chaîne en raison de la surchauffe. Une quantité insuffisante d'huile de lubrification est mise en évidence par la fumée, la décoloration du guide-chaîne ou une accumulation de dépôts.

N'utilisez que de l'huile à guide-chaîne et à chaîne qui est formulée pour fonctionner dans une large gamme de températures sans qu'une dilution soit nécessaire dans le réservoir d'huile. N'utilisez pas d'huile de moteur ou toute autre huile à base de pétrole. N'utilisez pas de l'huile sale, usée ou contaminée. Des dommages pourraient survenir au guide-chaîne ou à la chaîne. Jetez l'huile usée conformément à la réglementation fédérale, provinciale et locale.

Vérification du niveau d'huile de la chaîne

1. Posez l'appareil sur une surface plane.
2. Regardez dans la fenêtre de niveau d'huile de la chaîne, utiliser une lampe de poche si nécessaire. Le niveau d'huile doit remplir la fenêtre au moins à mi-chemin (Fig. 20). Si le niveau d'huile est trop bas, ajouter de l'huile à guide et chaîne. Se reporter à la section *Remplissage du réservoir d'huile de la chaîne*.

Remplissage du réservoir d'huile de la chaîne

1. Posez l'appareil sur une surface plane.
2. Pour empêcher les débris de pénétrer dans le réservoir d'huile à chaîne, utilisez un chiffon humide pour nettoyer le bouchon du réservoir d'huile et ses environs.
3. Dévissez le bouchon du réservoir d'huile à chaîne (Fig. 21).
4. Versez délicatement l'huile dans le réservoir d'huile à chaîne.
NE REMPLISSEZ PAS trop.
5. Réinstallez le bouchon du réservoir d'huile à chaîne. Serrer fermement le bouchon.
6. Essuyez toute huile déversée.

RÉGLAGE DE LA TENSION DE LA CHAÎNE

ATTENTION : La tige de guidage, la chaîne et les roulements s'usent plus rapidement si la chaîne n'est pas correctement tendue. Le fait de maintenir une bonne tension de la chaîne permettra d'améliorer les performances de coupe et de prolonger la durée de vie de la chaîne.

AVERTISSEMENT : Pour éviter toute blessure grave, ne touchez jamais à la tronçonneuse ni n'ajustez la tension de la chaîne lorsque l'appareil est en marche. Débrancher toujours l'appareil de la source d'alimentation pour l'empêcher de démarrer accidentellement.

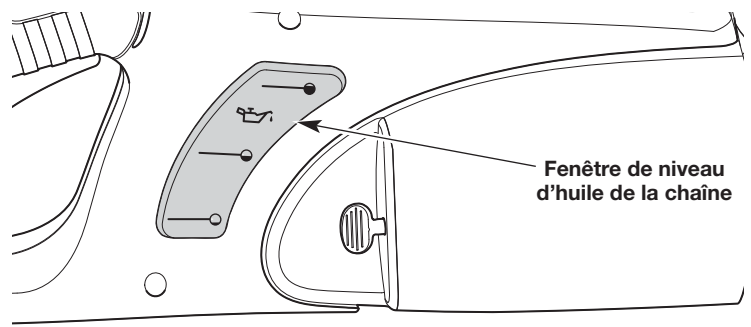


Fig. 20

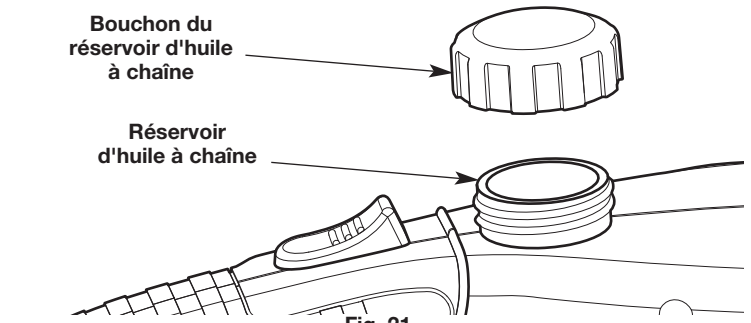


Fig. 21

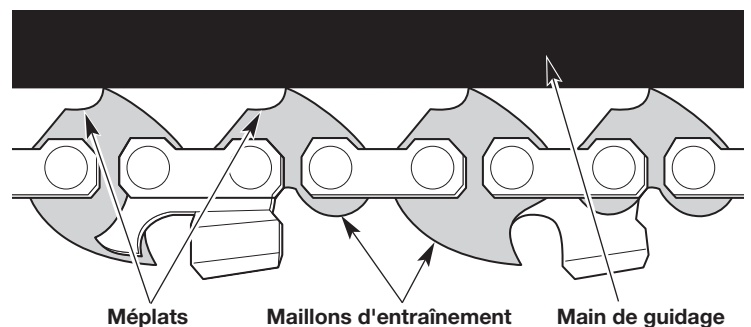


Fig. 22



AVERTISSEMENT : La chaîne de scie est extrêmement tranchante. Portez toujours des gants de protection robustes lors de la manipulation ou l'entretien de la tronçonneuse.

Vérifiez la tension de la chaîne avant et pendant le fonctionnement. Réglez la tension de la chaîne lorsque les méplats de la chaîne pendent hors de la rainure du guide-chaîne (Fig. 22).

REMARQUE : Une nouvelle chaîne tend à se détendre et à nécessiter un réajustement après aussi peu que cinq (5) coupes. Ceci est normal pendant la période de rodage. L'intervalle entre les futurs ajustements s'allongera rapidement.

1. Utiliser une clé de 13 mm (1/2 po) pour desserrer légèrement les écrous qui retiennent le guide-chaîne en place (Fig. 23). **Ne PAS** enlever les boulons qui retiennent le guide-chaîne.
2. Retenir le nez de la barre de guidage et tourner la molette de tension de la chaîne (Fig. 24).
 - Tourner la molette de tension de la chaîne dans le sens horaire pour tendre la chaîne de la scie.
 - Tourner la molette de tension de la chaîne dans le sens antihoraire pour relâcher la chaîne de la scie.

La tension de chaîne souhaitée dépend de la température de la chaîne (Fig. 25).

- Réglage à froid de la tension de la chaîne - La chaîne de la tronçonneuse doit être bien ajustée contre le dessous du guide-chaîne. Il ne doit y avoir aucun fléchissement (Fig. 25).
 - Réglage à chaud de la tension de la chaîne - La chaîne de scie s'allongera tandis qu'elle s'échauffe pendant le fonctionnement. Les maillons d'entraînement doivent pendre d'environ 1,3 mm (1/16 de po) de la rainure de guide-chaîne (Fig. 25).
3. Maintenez la pointe guide-chaîne vers le haut et déplacez la chaîne dans un mouvement de va-et-vient le long du guide-chaîne (Fig. 26). Assurez-vous que la chaîne se déplace librement et qu'elle s'engrène correctement avec le pignon. Si la chaîne de la scie n'avance pas facilement, tourner lentement la molette de tension de la chaîne dans le sens antihoraire pour relâcher la chaîne de la scie.
 4. Maintenez la pointe de la tige de guidage et serrez fermement les écrous de fixation de barre.



ATTENTION : Si la chaîne a été réglée à chaud, elle peut devenir trop serrée lorsqu'elle refroidit. Desserrer la tension de la chaîne après l'opération et vérifiez sa tension avant la prochaine utilisation.

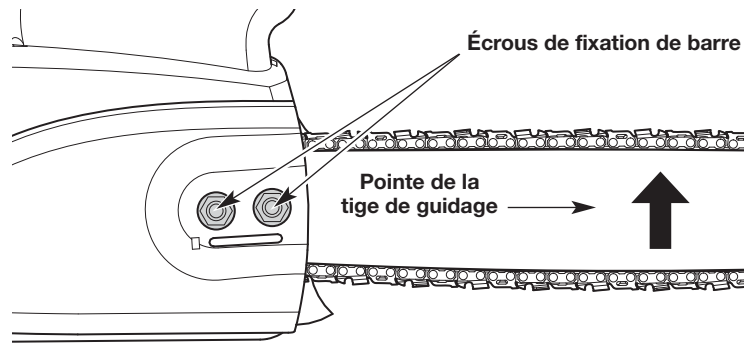


Fig. 23

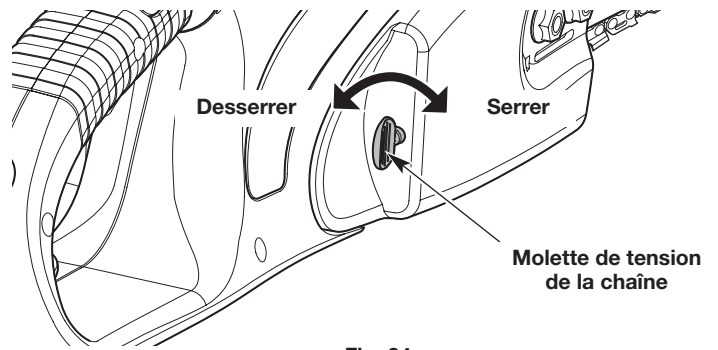


Fig. 24

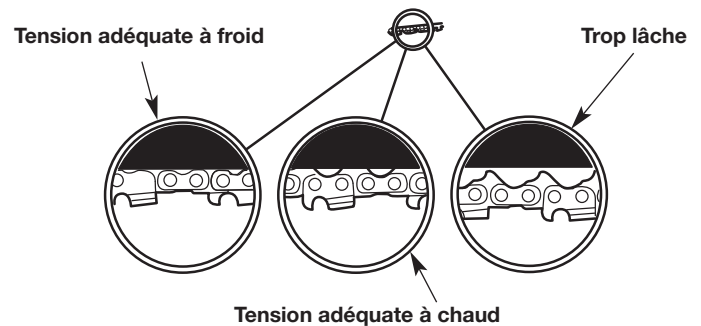


Fig. 25

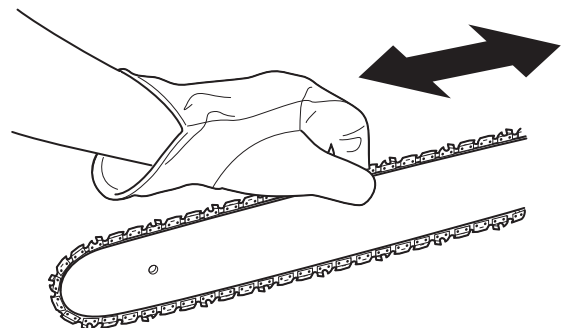


Fig. 26

RETRAIT ET INSTALLATION DU GUIDE-CHAÎNE ET DE LA CHAÎNE



AVERTISSEMENT : La chaîne de scie est extrêmement tranchante. Portez toujours des gants de protection robustes lors de la manipulation ou l'entretien de la tronçonneuse.

Le guide-chaîne et la chaîne doivent être enlevés quand certaines procédures d'entretien sont effectuées, comme au moment de la rotation du guide-chaîne. Lors du remplacement des anciens guide-chaîne et chaînes de scie par de nouvelles pièces, utilisez toujours des pièces de rechange spécifiées par le fabricant. Reportez-vous à *Remplacement du guide-chaîne et de la chaîne*.

Retrait du guide-chaîne et de la chaîne

1. Retirer les écrous de retenue de la barre à l'aide d'une clé de 13 mm (1/2 po) (Fig. 27).
2. Retirer le couvercle du guide (Fig. 27).
3. Desserrez la chaîne. Reportez-vous à *Réglage de la tension de la chaîne*.
4. Enlevez la chaîne du guide-chaîne.
5. Retirer avec précaution l'anneau de retenue de type E du pignon d'entraînement, à l'aide d'un petit tournevis à lame plate (Fig. 28).
6. Retirer la fixation du pignon d'entraînement (Fig. 28).
7. Retirer la barre de guidage des boulons de la barre de guidage (Fig. 28).

Installation du guide-chaîne et de la chaîne

1. Aligner la fente de la barre de guidage avec les boulons de la barre de guidage (Fig. 28). Faire glisser la barre de guidage complètement sur les boulons de la barre de guidage (Fig. 28). Assurez-vous que le guide-chaîne est à plat contre la surface de montage.
2. Poser la fixation sur le pignon d'entraînement (Fig. 28).
3. Poser avec précaution l'anneau de retenue de type E sur le pignon d'entraînement (Fig. 28).
4. Déposez la chaîne sur une surface plate et propre et redressez tout entortillement.
5. Installer la chaîne de la scie autour du pignon d'entraînement et dans la gorge de la barre de guidage (Fig. 29). Assurez-vous que les méplats de la chaîne se trouvent dans les rainures sur le pignon d'entraînement. Assurez-vous que les couteaux pointent dans le bon sens de rotation (Fig. 29).
6. Placer le couvercle du guide sur le boîtier de la scie (Fig. 27). Insérer la languette du couvercle de pignon dans la fente du boîtier de la scie (Fig. 27). Les boulons de la barre de guidage doivent sortir des trous du couvercle de pignon.
7. S'assurer que le goujon de tensionnement de la chaîne se trouve dans l'ouverture du goujon sur la barre de guidage (Fig. 30). Au besoin, tourner la molette de tension de la chaîne pour avancer le goujon de tension (Fig. 24).
 - Tourner la molette de tension de la chaîne dans le sens horaire pour avancer le goujon de tension vers l'avant de l'outil.
 - Tourner la molette de tension de la chaîne dans le sens horaire pour reculer le goujon de tension vers l'arrière de l'outil.
8. Poser les écrous de retenue sur les boulons de la barre de guidage. Bien serrer les écrous de retenue de la barre. **NE PAS** serrer complètement les écrous de retenue de la barre.
9. Assurez-vous que la chaîne est toujours dans la rainure de la tige de guidage et serrez la chaîne. Reportez-vous à *Réglage de la tension de la chaîne*.
10. Maintenez la pointe de la tige de guidage et serrez fermement les écrous de fixation de barre.

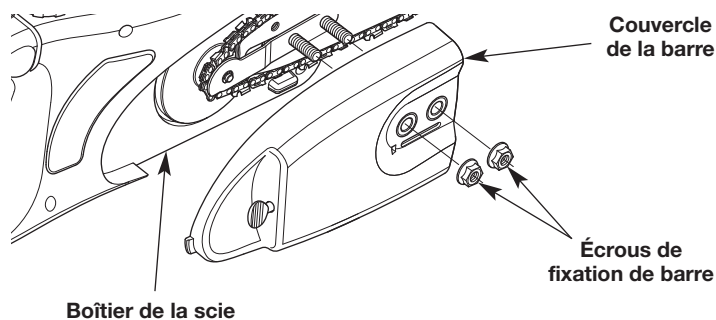


Fig. 27

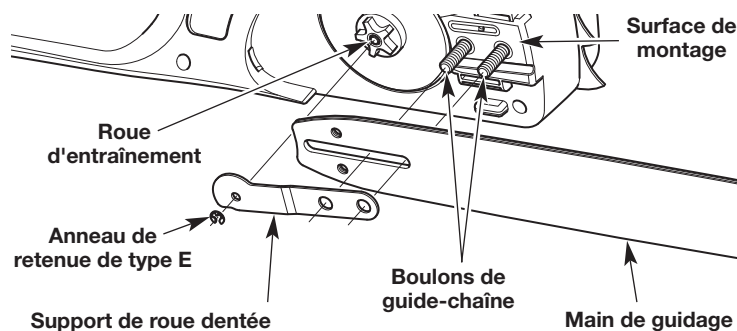


Fig. 28

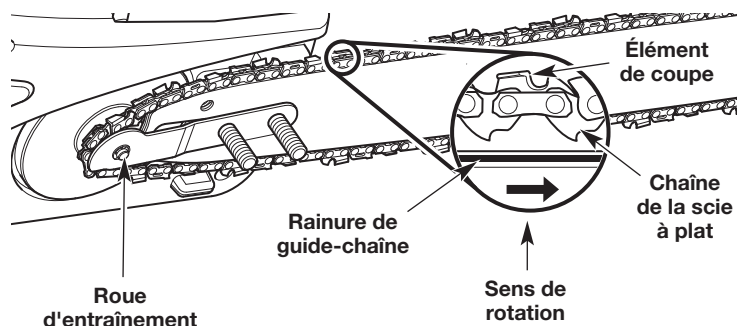


Fig. 29

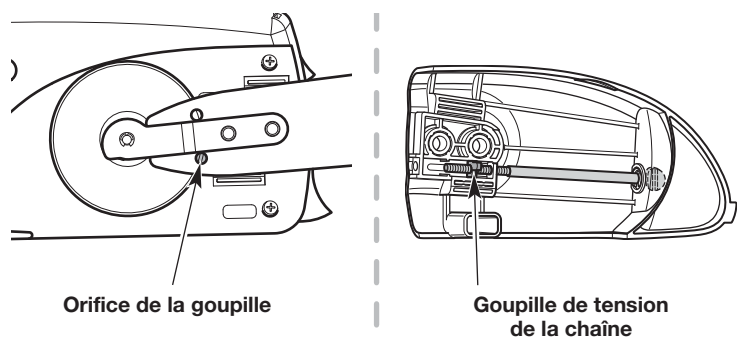


Fig. 30

ENTRETIEN DE LA CHAÎNE

Pour assurer un fonctionnement sûr et efficace, la chaîne doit être correctement entretenue.

La chaîne s'usera avec utilisation, provoquant l'étirement de la chaîne. C'est normal. Quand il n'est plus possible d'obtenir le réglage adéquat de la traction de la chaîne, celle-ci devra être réparée ou remplacée par un concessionnaire agréé. Reportez-vous à *Remplacement du guide-chaîne et de la chaîne*.

Gardez toujours la chaîne bien affûtée. Pendant le fonctionnement, gardez les yeux ouverts sur les indicateurs suivants d'une chaîne émoussée :

- les copeaux de bois sont petits et poudreux.
- la chaîne de la tronçonneuse doit être forcée à travers le bois.
- la tronçonneuse coupe d'un côté.

Si l'une ou l'autre de ces conditions est présente, aiguiser ou remplacez la chaîne. Reportez-vous à *Affûtage de la chaîne* ou *Remplacement du guide-chaîne et de la chaîne*.

REMARQUE : Si vous ne comprenez pas vraiment la procédure d'affûtage après avoir lu les instructions, faites aiguiser la tronçonneuse par un centre de réparations agréé ou remplacez-la.

AFFÛTAGE DE LA CHAÎNE



AVERTISSEMENT : La chaîne de scie est extrêmement tranchante. Portez toujours des gants de protection robustes lors de la manipulation ou l'entretien de la tronçonneuse.



AVERTISSEMENT : Une chaîne de tronçonneuse mal affûtée augmente le risque de rebond. Ne pas remplacer ou entretenir correctement la tronçonneuse peut entraîner des blessures graves.



ATTENTION : Une chaîne émoussée ou incorrectement affûtée peut causer une vitesse excessive du moteur pendant le fonctionnement, ce qui peut entraîner de graves dommages au moteur.

Si la chaîne a été endommagée en entrant en contact avec des objets durs, comme des clous ou des pierres, ou qu'elle a été écorchée par la boue ou du sable sur le bois, faites aiguiser la chaîne de la tronçonneuse par un centre de réparations agréé.

Lors de l'affûtage de la chaîne, limez toutes les dents aux angles et mesures spécifiées. D'autres angles ou mesures peuvent entraîner une usure excessive du guide-chaîne et de la chaîne de la tronçonneuse, la chaîne risquera de s'émousser rapidement et d'augmenter le risque de rebond. Une coupe rapide ne peut être obtenue qu'avec des dents uniformes.

1. Serrez la tension afin que la chaîne soit bien tendue et ne vacille pas. Reportez-vous à *Réglage de la tension de la chaîne*.
 - limez toujours la chaîne de scie au point médian du guide-chaîne.
2. Utilisez une lime ronde et un porte-lime (outils non inclus) pour aiguiser la plaque supérieure et la plaque latérale de chaque élément de coupe.
 - Utilisez une lime d'un diamètre de 4 mm (5/32 po).
 - Maintenez la lime de niveau avec la plaque supérieure de l'élément de coupe (Fig. 31). Ne laissez pas la lime pencher ou basculer. Utilisez une pression légère, mais ferme.
 - Limez vers le coin avant de l'élément de coupe (Fig. 32). Soulevez la lime pour l'enlever du dispositif de coupe à la fin de la course vers l'avant. Ne limez que pendant la course vers l'avant.

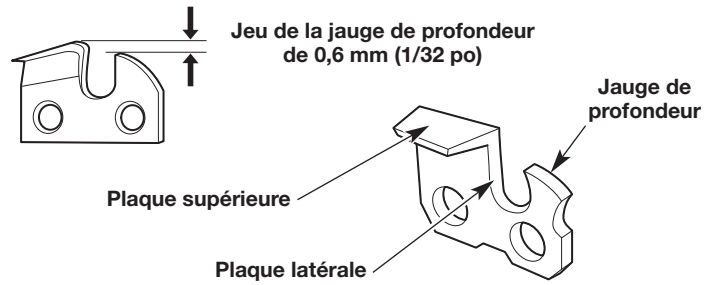


Fig. 31

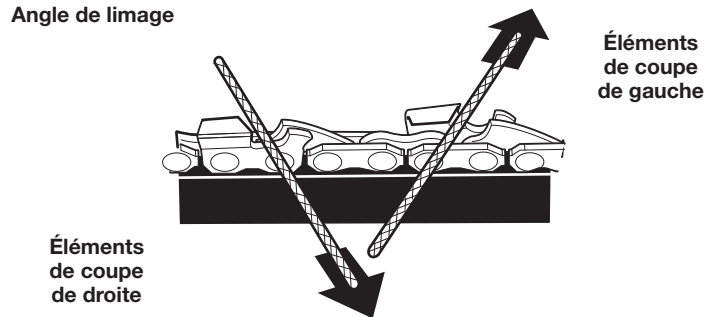


Fig. 32

Angles de limage adéquats

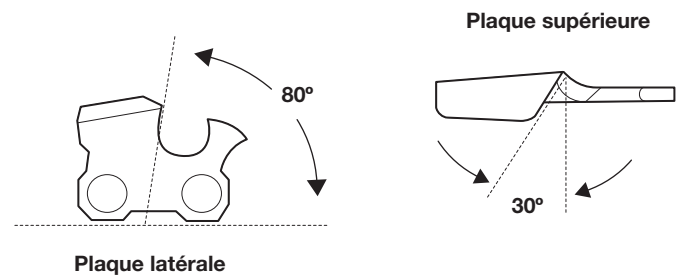


Fig. 33

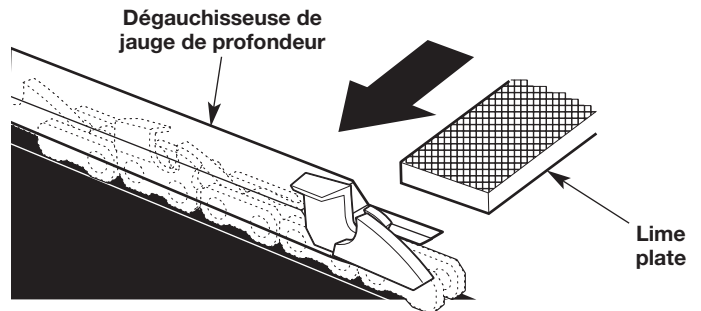


Fig. 34

- Faites quelques mouvements fermes sur chaque dent. Si le limage est correctement effectué, la plaque supérieure sera à un angle de 30° et la plaque latérale à un angle de 80° (Fig. 33). L'utilisation de la lime et du porte-lime adéquats produira automatiquement les bons angles.
 - Limez tous les éléments de coupe de gauche dans un sens (Fig. 32). Ensuite, passez à l'autre côté de la chaîne et limez l'ensemble des éléments de coupe de droite dans le sens opposé (Fig. 32).
 - Enlevez parfois les dépôts de limage au moyen d'une brosse métallique.
3. Utilisez une jauge de profondeur (non comprise) pour mesurer le jeu de jauge de profondeur (Fig. 34) de chaque coupe. Le jeu de la jauge de profondeur doit être maintenu à 0,635 mm (0,025 po). Le dégagement de la jauge de profondeur détermine la profondeur à laquelle l'outil de coupe pénètre dans le bois en cours de fonctionnement ainsi que la taille des copeaux de bois produits. Un jeu trop important augmente le risque de rebond. Un jeu trop réduit diminue la taille des copeaux de bois, diminuant ainsi la capacité de coupe.
- Utilisez une dégauchisseuse de jauge de profondeur 0,6 mm (1/32 po) et une lime plate (outils non compris) pour abaisser la jauge de profondeur au jeu adéquat (Fig. 34).
 - Après avoir abaissé la jauge de profondeur, utilisez la lime plate pour restaurer la forme arrondie originale à la jauge de profondeur (Fig. 35). Prenez soin de ne pas endommager les bords tranchants ou les maillons à proximité.

Restaurer la forme arrondie originale

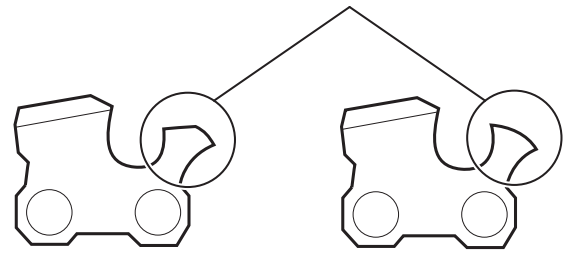


Fig. 35

ENTRETIEN DE LA TIGE DE GUIDAGE

1. Faites fréquemment pivoter la tige de guidage, à intervalles réguliers (par exemple, après 5 heures de fonctionnement), pour assurer une usure uniforme sur le dessus et le dessous de la tige de guidage. Reportez-vous à *Retrait et installation du guide-chaîne et de la chaîne*.
2. Nettoyez la rainure de la tige de guidage et les passages d'huile chaque fois que la chaîne est enlevée, lorsque l'appareil a été largement utilisé ou lorsque la chaîne semble sale. Utilisez un tournevis, un couteau à mastic, une brosse d'acier ou un instrument similaire pour enlever les débris de la rainure de la tige de guidage (Fig. 36). Utilisez un petit fil souple pour enlever les débris du trou d'évacuation d'huile de la chaîne (Fig. 37).

REMARQUE : Si les passages d'huile sont dégagés, la chaîne vaporisera un peu d'huile peu de temps après qu'elle se mette à tourner pendant le fonctionnement.

3. Vérifiez fréquemment la tige de guidage afin d'y déceler des signes de dommages (Fig. 38). L'usure irrégulière et l'ébarbage des rails de guidage (les nervures de chaque côté de la rainure de la tige) sont des processus normaux d'usure de la tige de guidage. Ces défauts doivent être limés dès qu'ils se produisent (Fig. 38). Une tige de guidage avec les défauts suivants doit être remplacée :
 - Usure à l'intérieur des rails de guidage qui permet à la chaîne de se coucher sur le côté.
 - Une tige de guidage courbée.
 - Des rails brisés ou fêlés.
 - Des rails écartés.

Reportez-vous à *Remplacement du guide-chaîne et de la chaîne*.

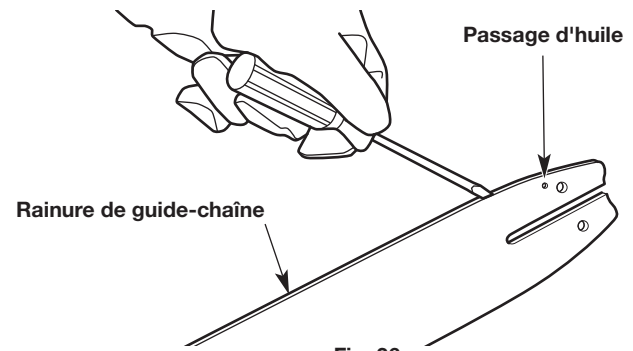


Fig. 36

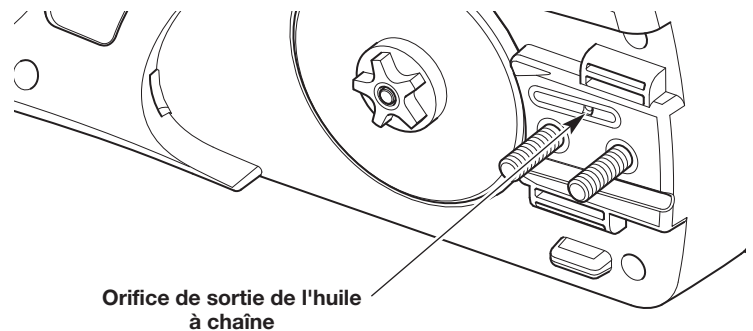


Fig. 37

REPLACEMENT DU GUIDE-CHAÎNE ET DE LA CHAÎNE



AVERTISSEMENT : Utilisez toujours une scie à chaîne à faible rebond, ce qui réduit considérablement le risque de rebond. Une chaîne à faible risque de rebond n'élimine pas complètement le rebond. Un faible rebond et une « chaîne de sécurité » ne doivent jamais être considérés comme une protection totale contre les blessures.

Lors du remplacement du guide-chaîne et de la chaîne, n'utilisez que les pièces de rechange spécifiées par le fabricant ou leurs équivalents. Reportez-vous aux *Pièces de rechange*. L'utilisation de pièces ou d'accessoires non autorisés peut entraîner des blessures sérieuses à l'opérateur ou endommager l'appareil et annuler la garantie.

Utilisez toujours une scie à chaîne de remplacement désignée comme étant à faible risque de rebond ou une scie à chaîne qui répond aux exigences de rendement à faible rebond. Une chaîne de scie standard (une chaîne qui n'a pas de liens antirebond) doit être utilisée uniquement par un opérateur de scie à chaîne professionnel et expérimenté.

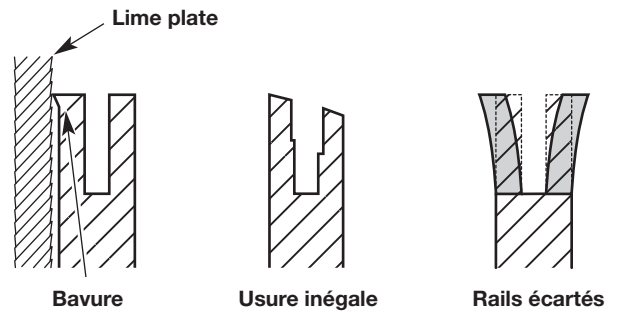


Fig. 38

NETTOYAGE



AVERTISSEMENT : Pour éviter de graves blessures, ne nettoyez jamais l'appareil lorsqu'il est en marche. Débrancher toujours l'appareil de la source d'alimentation pour l'empêcher de démarrer accidentellement. Laissez toujours l'appareil refroidir avant de le nettoyer.



AVERTISSEMENT : Pour éviter les blessures graves, ne pas arroser l'appareil avec de l'eau. Ne pas plonger l'appareil dans l'eau ou tout autre liquide. N'utilisez pas de détergents puissants. Les nettoyants ménagers contenant des huiles aromatiques telles que le pin et le citron, ainsi que les solvants tels que le kérosène peuvent endommager le plastique.

1. Desserrez la chaîne si la tension a été ajustée en cours de fonctionnement. La chaîne se contractera pendant que l'unité se refroidit, ce qui pourrait endommager l'appareil si la chaîne est trop tendue.
2. Nettoyez l'appareil avec un chiffon humide.

REMARQUE : Lors de la préparation du rangement de l'appareil pour une longue durée (30 jours ou plus), retirez le guide-chaîne et la chaîne. Nettoyez soigneusement le couvercle du guide-chaîne, la surface de montage du guide-chaîne et la roue dentée. Utilisez une brosse non métallique rigide pour nettoyer la rainure du guide-chaîne. Remontez l'appareil.

3. Essuyez toute trace d'humidité avec un chiffon doux.
4. Enduisez légèrement la tige de guidage et la chaîne avec une huile anticorrosion.

ENTREPOSAGE

- Desserrez la chaîne si la tension a été ajustée en cours de fonctionnement. La chaîne se contractera pendant que l'unité se refroidit, ce qui pourrait endommager l'appareil si la chaîne est trop tendue.
- Laissez l'appareil refroidir.
- Nettoyez soigneusement l'appareil et inspectez-le méticuleusement pour vérifier s'il n'y a pas de pièces détachées ou endommagées. Réparez ou remplacez les pièces endommagées et serrez tous les boulons, écrous et vis desserrés.
- Couvrez le guide et la chaîne avec le fourreau.
- Rangez l'appareil sous clef pour éviter tout usage non autorisé et pour éviter qu'il soit endommagé.
- Entreposez l'appareil dans un endroit sec et bien aéré.
- Entreposez l'appareil hors de la portée des enfants.

REMARQUE : Il est normal que de l'huile à chaîne et à guide-chaîne suinte de l'appareil lorsqu'il n'est pas utilisé. Veuillez prendre ceci en considération lorsque vous rangez l'appareil.

RÉSOLUTION DES PROBLÈMES

PROBLÈME	SOLUTION
LE MOTEUR NE DÉMARRE PAS	
La rallonge est mal branchée à l'appareil ou la source d'alimentation	S'assurer que chaque fiche est correctement branchée
Le disjoncteur de fuite de terre de la prise est déclenché (si utilisé)	Réinitialiser le disjoncteur de fuite de terre
Le disjoncteur est déclenché	Réinitialiser le disjoncteur dans le panneau électrique de la maison
Le verrouillage du levier d'accélération n'a pas été enfoncé	Appuyer sur le verrouillage et le maintenir enfoncé avant d'appuyer sur le levier d'accélération
L'appareil est endommagé	Se reporter aux informations sur le <i>Service</i>
LE MOTEUR MANQUE DE PUISSANCE OU CALE	
La taille du cordon prolongateur est insuffisante	Utiliser une rallonge avec le calibre de fil nécessaire. Reportez-vous au tableau de calibre de fil dans la section <i>Sécurité</i> .
LA CHAÎNE DE LA SCIE SORT DE LA BARRE DE GUIDAGE	
Une tension de la chaîne est insuffisante	Ajuster la tension de la chaîne de la scie
La barre de guidage et la chaîne de la scie ne sont pas correctement assemblées	Reportez-vous à <i>Retrait et installation du guide-chaîne et de la chaîne</i>
LA BARRE DE GUIDAGE ET LA CHAÎNE DE LA SCIE FONCTIONNENT À UNE TEMPÉRATURE ÉLEVÉE, PRODUISENT DE LA FUMÉE OU SONT COINCÉS	
La tension de la chaîne de la scie est trop serrée	Ajuster la tension de la chaîne de la scie
Le réservoir d'huile de la chaîne est vide	Remplir le réservoir d'huile de la chaîne
La rainure du guide-chaîne et les passages d'huile sont sales	Nettoyez le guide-chaîne et les passages d'huile
LA CHAÎNE DE LA SCIE NE TOURNE PAS	
La tension de la chaîne de la scie est trop serrée	Ajuster la tension de la chaîne de la scie
La barre de guidage et la chaîne de la scie ne sont pas correctement assemblées	Reportez-vous à <i>Retrait et installation du guide-chaîne et de la chaîne</i>
La barre de guidage et la chaîne de la scie sont endommagées	Inspecter la barre de guidage et la chaîne de la scie pour la présence de dommages. Les remplacer au besoin
L'assemblage d'entraînement est endommagé	Se reporter aux informations sur le <i>Service</i>
LA CHAÎNE DE LA SCIE TOURNE, MAIS NE COUPE PAS	
La chaîne de la scie est émoussée	Aiguiser ou remplacer la chaîne
La chaîne de la scie est posée à l'envers	Vérifier et corriger la direction de la chaîne de la scie

Si vous avez besoin d'une aide supplémentaire, veuillez contacter un revendeur agréé.

GARANTIE LIMITÉE DU FABRICANT POUR :

REMINGTON®

La garantie limitée énoncée ci-après est accordée par Remington LLC et concerne les marchandises neuves achetées et utilisées aux États-Unis, ses possessions et territoires.

Remington LLC garantit ce produit contre tout vice de matière ou de façon pendant une période de deux (2) ans à compter de la date d'achat initiale et elle se réserve le choix de réparer ou de remplacer, à titre gratuit, toute pièce présentant un vice de matière ou de façon. Cette garantie limitée ne s'appliquera que dans la mesure où le produit aura été utilisé et entretenu conformément au Manuel de l'utilisateur fourni avec le produit et n'aura pas fait l'objet d'un usage inadéquat, abusif, commercial ou négligent, d'un accident, d'un entretien inadéquat, d'une modification, de vandalisme, d'un vol, d'un incendie, de dégâts d'eau ou d'un endommagement résultant d'un autre péril ou d'un désastre naturel. Les dommages résultants de l'installation ou de l'utilisation de tout accessoire ou équipement non approuvé par Remington pour une utilisation avec le(s) produit(s) couvert(s) par le présent manuel annuleront la garantie en ce qui concerne les dommages qui en résulteraient éventuellement.

POUR L'OBTENTION DU SERVICE DE GARANTIE : le service au titre de la garantie est disponible, SUR PRÉSENTATION D'UNE PREUVE D'ACHAT, AUPRÈS DU DISTRIBUTEUR AGRÉÉ LOCAL. Pour trouver un distributeur dans votre région, visitez notre site Web www.remingtonpowertools.com, consultez les Pages Jaunes, appelez le **1-866-206-2707** aux États-Unis ou le **1-877-696-5533** au Canada, ou écrivez à l'adresse Remington LLC, PO Box 361032, Cleveland, OH 44136. Aucun produit retourné à l'usine sans permission écrite préalable du service après-vente de Remington ne sera accepté.

La garantie limitée n'offre aucune couverture dans les cas suivants :

- A. Mises au point : bougies, réglages de carburateur, filtres
- B. Éléments d'usure : boutons de butée, bobines extérieures, fil de coupe, moulinets, poulie du démarreur, câbles de démarreur, courroies d'entraînement, chaînes de scie, barres de guidage, couteaux de cultivateur, lames.
- C. Remington LLC n'accorde aucune garantie pour les produits vendus ou exportés des États-Unis d'Amérique, de leurs possessions et territoires, exception faite en ce qui concerne les produits vendus par l'intermédiaire de ses canaux agréés de distribution à l'exportation.

Remington LLC se réserve le droit de modifier ou d'améliorer la conception de ses produits sans pour autant assumer l'obligation de modifier tout produit d'une fabrication plus ancienne.

Aucune garantie implicite, y compris toute garantie de valeur marchande ou d'adaptation à une fin particulière, ne s'applique après la période applicable de garantie expresse écrite ci-dessus concernant les pièces qui sont identifiées. Aucune autre garantie ou caution expresse, écrite ou orale, à l'exception de celle mentionnée ci-dessus, accordée par toute personne ou entité, y compris tout distributeur ou détaillant, concernant tout produit n'engagera la responsabilité de Remington LLC. Pendant la période de garantie, le recours exclusif est la réparation ou le remplacement du produit dans les conditions énoncées ci-dessus. (Certains états ne permettent pas la limitation de la garantie implicite, il est donc possible que la limitation ci-dessus ne s'applique pas à vous.)

Les clauses énoncées dans la présente Garantie constituent le recours unique et exclusif inhérent aux ventes. Remington LLC ne sera en aucun cas tenue pour responsable de tout dommage indirect ou consécutif ou de dommages comprenant, entre autres, les dépenses encourues du fait du recours à des services de remplacement ou de substitution pour l'entretien des pelouses, le transport ou des frais connexes, ou les frais entraînés par une location destinée à remplacer provisoirement un produit sous garantie. (Certains états ne permettent pas la limitation de la garantie implicite, il est donc possible que la limitation ci-dessus ne s'applique pas à vous.)

Aucun recouvrement, quel qu'il soit, ne sera d'un montant supérieur au prix du produit vendu. Toute modification des dispositifs de sécurité du produit annulera la présente Garantie. Vous assumez tout risque et toute responsabilité résultant de la perte, de l'endommagement ou du préjudice que vous et votre propriété et/ou d'autres et leur propriété pourront encourir d'un fait de l'utilisation normale, de la mauvaise utilisation ou de l'incapacité d'utiliser le produit.

La présente garantie limitée n'est accordée qu'à l'acheteur initial, au preneur initial ou à la personne à laquelle le produit a été offert.

Le Droit des États vis à vis de la présente garantie : la présente garantie vous confère certains droits juridiques et vous pouvez bénéficier d'autres droits lesquels varient d'un état à l'autre.

Pour obtenir l'adresse du distributeur réparateur le plus proche, composez le : **1-866-206-2707** aux États-Unis ou le **1-877-696-5533** au Canada.

REMINGTON LLC

P.O. Box 361032
Cleveland, OH 44136

REMINGTON®

Manual del Operador

Sierra eléctrica de cadena

RM1645

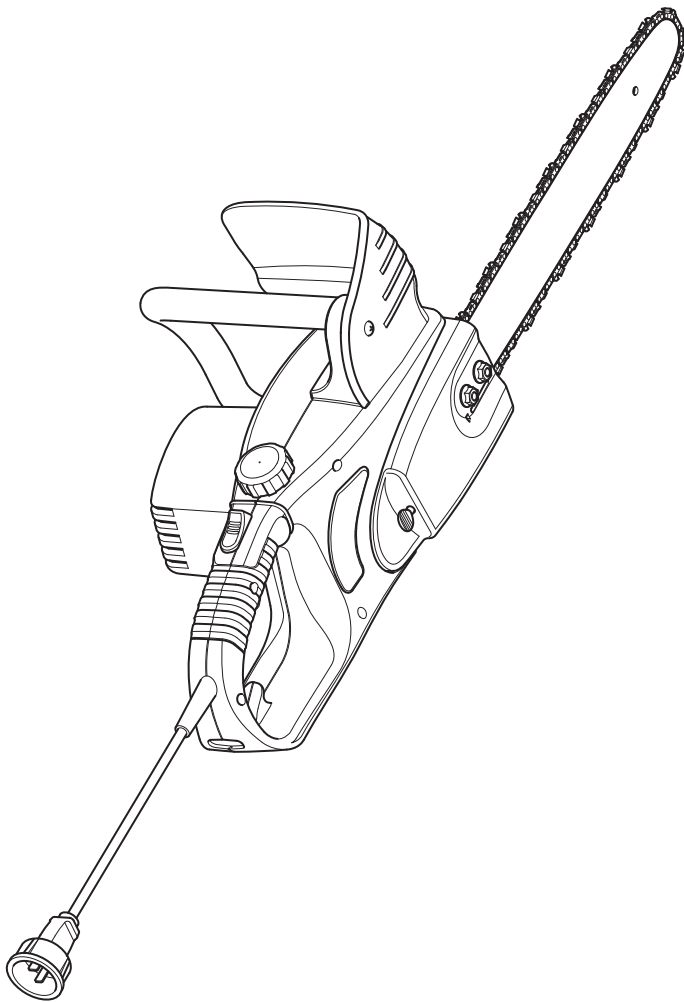


TABLA DE CONTENIDO

Servicio59
Seguridad60
Conozca su unidad68
Términos y definiciones fundamentales69
Especificaciones70
Ensamblaje71
Arranque y parada72
Operación73
Mantenimiento79
Limpieza y almacenamiento86
Localización y solución de problemas87
Garantía88

GUARDE ESTAS INSTRUCCIONES

SERVICIO

NO DEVUELVA ESTA UNIDAD AL VENDEDOR. PARA SOLICITAR SERVICIO POR GARANTÍA, DEBERÁ PRESENTAR EL COMPROBANTE DE COMPRA.

Para solicitar asistencia en relación con el ensamblaje, los controles, la operación o el mantenimiento de la unidad, llame al Departamento de Atención al Cliente al **1-866-206-2707** en Estados Unidos o el **1-877-696-5533** en Canadá. Puede encontrar más información sobre la unidad en nuestro sitio Web en **www.remingtonpowertools.com**.

Con vista a recibir servicios, llame al Departamento de Atención al Cliente para que le faciliten una lista de los distribuidores de servicio autorizados cercanos a usted. El servicio a esta unidad, tanto durante como después del período cubierto por la garantía, debe ser llevado a cabo solamente por un distribuidor de servicio autorizado y aprobado. Cuando vaya a dar mantenimiento al equipo, utilice solo piezas de repuesto idénticas.

Toda la información, las ilustraciones y las especificaciones contenidas en este manual se basan en la información más reciente disponible en el momento de impresión del manual. Nos reservamos el derecho de hacer cambios en cualquier momento sin aviso previo. El producto puede variar ligeramente de las ilustraciones contenidas en este manual.


Copyright © 2015 MTD SOUTHWEST INC. Todos los derechos reservados.

IMPORTANTE: Lea este manual por completo antes de utilizar este producto. Siga todas las instrucciones.

SEGURIDAD

El objetivo de los símbolos de seguridad es dirigir su atención hacia posibles peligros. Los símbolos de seguridad, así como sus explicaciones, necesitan toda su atención y comprensión. Las advertencias de seguridad no eliminan por sí mismas ningún peligro. Las instrucciones o advertencias que contienen no reemplazan a las medidas adecuadas de prevención de accidentes.

SÍMBOLO SIGNIFICADO

 **PELIGRO:** Indica un peligro EXTREMO. Si no se cumple una señal de seguridad de **PELIGRO** usted mismo u otras personas sufrirán lesiones graves o la muerte.

 **ADVERTENCIA:** Indica un peligro GRAVE. Si no se cumple una **ADVERTENCIA** de seguridad usted mismo u otras personas **PUEDEN** sufrir lesiones graves.

 **PRECAUCIÓN:** Indica un peligro de GRAVEDAD MODERADA. Si no se cumple una señal de seguridad de **PRECAUCIÓN** usted mismo u otras personas **PUEDEN** sufrir lesiones o se **PUEDEN** producir daños materiales.

NOTA: Proporciona información o instrucciones de vital importancia para el funcionamiento o el mantenimiento del equipo.



PROPOSICIÓN 65 DE CALIFORNIA

ADVERTENCIA: Este producto contiene una sustancia química que según el Estado de California puede producir cáncer, defectos de nacimiento u otros problemas reproductivos.

Lea el manual del operador y siga todas las advertencias e instrucciones de seguridad. Si no lo hace, el operador y/o los observadores pueden sufrir lesiones graves.

• INSTRUCCIONES DE SEGURIDAD IMPORTANTES •

ADVERTENCIAS GENERALES SOBRE LA SEGURIDAD DE LAS HERRAMIENTAS ELÉCTRICAS

 **ADVERTENCIA:** Lea todas las instrucciones y todas las advertencias de seguridad. Si no se cumplen las advertencias e instrucciones se pueden producir descargas eléctricas, incendios y/o lesiones graves.

Guarde todas las advertencias e instrucciones para futuras consultas.

El término "herramienta eléctrica" que se incluye en las advertencias se refiere a su herramienta eléctrica alimentada por la red principal (con cable) o la herramienta a batería (sin cable).

1) Seguridad en el lugar de trabajo

- Mantenga el lugar de trabajo limpio y bien iluminado. Si el lugar está desordenado u oscuro aumentan las probabilidades de que se produzcan accidentes.
- No utilice las herramientas eléctricas en atmósferas explosivas, por ejemplo, en presencia de líquidos, gases o polvo inflamables. Las herramientas eléctricas generan chispas que pueden encender el polvo o los gases.
- Mantenga alejados a los niños y a los observadores mientras use una herramienta eléctrica. Las distracciones pueden hacer que pierda el control.

2) Seguridad eléctrica

- Los enchufes de las herramientas eléctricas deben coincidir con el tomacorriente. No modifique nunca el enchufe de ninguna manera. No use enchufes adaptadores con herramientas eléctricas conectadas a tierra (puestas a tierra). Si no se modifican los enchufes y los tomacorrientes coinciden, se reduce el riesgo de que se produzcan descargas eléctricas.
- Evite el contacto del cuerpo con superficies conectadas o puestas a tierra, tales como tuberías, radiadores, estufas y refrigeradores. Existe un mayor riesgo de que se produzca una descarga eléctrica si el cuerpo del operador se conecta o se pone a tierra.
- No exponga las herramientas eléctricas a la lluvia o a condiciones de humedad. Si entra agua en una herramienta eléctrica, aumenta el riesgo de que se produzcan descargas eléctricas.
- Trate con cuidado el cable. Nunca use el cable para transportar la herramienta eléctrica, tirar de ella hacia usted o desenchufarla. Mantenga el cable alejado de fuentes de calor, aceite, bordes filosos y piezas móviles. Si los cables se dañan o enganchan, aumenta el riesgo de que se produzcan descargas eléctricas.
- Cuando utilice una herramienta eléctrica al aire libre, use un prolongador apropiado para usarse al aire libre. Si se utiliza un cable apropiado para usarse al aire libre, se reduce el riesgo de que se produzcan descargas eléctricas.

- f) **Si no se puede evitar el uso de una herramienta eléctrica en un lugar húmedo, utilice un suministro protegido por interruptor del circuito de fallos de conexión a tierra (ICFCT).** *El uso de un ICFCT reduce el riesgo de que se produzcan descargas eléctricas.*

3) Seguridad personal

- a) **Manténgase alerta, preste atención a lo que está haciendo y use su sentido común cuando opere la herramienta eléctrica. No utilice una herramienta eléctrica si está cansado o bajo la influencia de drogas, alcohol o medicamentos.** *Con tan sólo un momento de distracción durante el uso de herramientas eléctricas, se pueden producir graves lesiones.*
- b) **Utilice equipos de protección personal. Utilice siempre protección ocular.** *Si se utilizan equipos de seguridad tales como la máscara antipolvo, calzado de seguridad antideslizante, casco duro o protección auditiva para las condiciones apropiadas, se reducirá las lesiones.*
- c) **Evite arranques accidentales. Asegúrese de que el interruptor de la herramienta esté en la posición de apagado antes de conectarla a la fuente de alimentación de corriente y/o la batería, de sujetarla o de transportarla.** *Transportar herramientas eléctricas con el dedo en el interruptor o activar herramientas eléctricas que tengan el interruptor en la posición de encendido ("ON") aumenta las probabilidades de que se produzcan accidentes.*
- d) **Quite cualquier llave de ajuste o de tuerca que haya, antes de encender la herramienta eléctrica.** *Si se deja una llave de tuerca o de ajuste junto a una pieza giratoria de la herramienta eléctrica, podría provocar lesiones.*
- e) **No adopte posturas forzadas para llegar a lugares difíciles de alcanzar. Siempre se debe mantener bien afirmado y nunca debe perder el equilibrio.** *Esto permite controlar mejor la herramienta eléctrica en situaciones imprevistas.*
- f) **Utilice vestimenta apropiada. No utilice ropa suelta ni alhajas. Mantenga el cabello, la ropa y los guantes alejados de las piezas móviles.** *Las ropas sueltas, las joyas o el cabello largo pueden enredarse en las piezas móviles.*
- g) **Si se proveen dispositivos para la conexión de medios de extracción y recolección de polvo, asegúrese de que estén conectados y se utilicen como corresponde.** *El uso de medios de recolección de polvo puede reducir los peligros relacionados con el polvo.*

4) Uso y cuidado de las herramientas eléctricas

- a) **No fuerce la herramienta eléctrica. Use la herramienta eléctrica correcta para lo que desea realizar.** *Si se utiliza la herramienta eléctrica correcta, se trabajará mejor y con más seguridad a la velocidad para la cual fue diseñada.*
- b) **No use la herramienta eléctrica si no se la puede encender y apagar con el interruptor.** *Cualquier herramienta eléctrica que no se pueda controlar con el interruptor es peligrosa y se la debe reparar.*
- c) **Desconecte la herramienta eléctrica del enchufe de la fuente de energía y/o la batería antes de hacer cualquier tipo ajuste, cambiar accesorios o almacenarla.** *Dichas medidas preventivas de seguridad reducen el riesgo de arrancar la herramienta eléctrica por accidente.*
- d) **Guarde fuera del alcance de los niños las herramientas que no se usen, y no permita que la operen personas que no estén familiarizadas con la herramienta eléctrica o con estas instrucciones.** *Las herramientas eléctricas son peligrosas en manos de usuarios que no estén capacitados para operarlas.*

- e) **Realice el mantenimiento de las herramientas eléctricas. Compruebe si hay piezas móviles fuera de alineación o atascadas, si hay piezas rotas, y si existe cualquier otra situación que pudiera afectar el funcionamiento de la herramienta eléctrica. Si está dañada, haga que la reparen antes de usarla.** *Muchos accidentes son provocados por herramientas eléctricas que reciben un mantenimiento deficiente.*
- f) **Mantenga afiladas y limpias las herramientas que se usan para cortar.** *Si las herramientas que se usan para cortar que poseen bordes cortantes afilados reciben un mantenimiento adecuado es menos probable que se atasquen y son más fáciles de controlar.*
- g) **Use la herramienta eléctrica, los accesorios, las brocas de la herramienta, etc., de acuerdo con estas instrucciones, teniendo en cuenta las condiciones de trabajo y el trabajo que se desee realizar.** *El uso de la herramienta eléctrica para operaciones distintas a aquéllas para las que fue diseñada podría causar una situación de peligro.*

5) Servicio

- a) **La herramienta eléctrica debe recibir servicio de un técnico de reparaciones calificado, utilizando únicamente piezas de reemplazo idénticas.** *De esta manera, se mantiene la seguridad de la herramienta eléctrica.*

Advertencias sobre la seguridad de la sierra de cadena:

- **Mantenga todas las partes del cuerpo alejadas de la sierra de cadena cuando está en funcionamiento. Antes de arrancar la sierra, compruebe que no pueda entrar en contacto con nada ni nadie.** *Por un descuido al operar las sierras de cadena se pueden enredar la ropa o alguna parte del cuerpo con la sierra.*
- **Sostenga siempre la sierra de cadena con la mano derecha en la manija trasera y la mano izquierda en la manija delantera.** *Si se sujeta la sierra de cadena con las manos en la posición inversa, se incrementa el riesgo de que se produzcan lesiones y no debe hacerlo nunca.*
- **Sujete la herramienta eléctrica solamente por las superficies de agarre aisladas porque la sierra de cadena puede entrar en contacto con cables ocultos o con su propio cable.** *Las sierras de cadena que hacen contacto con un hilo "cargado" pueden hacer que las partes metálicas expuestas de la herramienta eléctrica se "carguen" y podrían darle una descarga eléctrica al operador.*
- **Utilice gafas de seguridad y protección auditiva. Se recomienda el uso de equipo de protección adicional para la cabeza, las manos, las piernas y los pies.** *La vestimenta de protección adecuada reduce las lesiones que ocasionan los residuos que salen despedidos o el contacto con la cadena de la sierra.*
- **No utilice la sierra de cadena para cuando esté subido a un árbol.** *Si se utiliza la sierra de cadena cuando se está subido a un árbol, se pueden sufrir lesiones.*
- **Siempre debe estar bien parado y operar la sierra de cadena únicamente cuando se está parado sobre una superficie firme, segura y nivelada.** *Las superficies resbaladizas o inestables como las escaleras pueden provocar la pérdida del equilibrio o el control de la sierra de cadena.*
- **Si se corta una rama que está bajo tensión, tenga cuidado de que se vuelva repentinamente y lo golpee.** *Cuando se descarga la tensión de las fibras de la madera la rama cargada puede golpear al operador y/o hacer que la sierra de cadena pierda el control.*

- **Actúe con extrema precaución al cortar malezas y árboles tiernos.** *El material blando puede quedar enganchado en la sierra de cadena y puede arrojarlo hacia usted o hacerle perder el equilibrio.*
- **Transporte la sierra de cadena por la manija delantera, con la sierra de cadena apagada y alejada del cuerpo. Para transportar o almacenar la sierra de cadena, coloque siempre la cubierta de la barra de guía.** *La manipulación correcta de la sierra de cadena reducirá la probabilidad de que se produzca un contacto accidental con la cadena de la sierra cuando está en movimiento.*
- **Siga las instrucciones para la lubricación, la tensión de la cadena y el reemplazo de los accesorios.** *Si la cadena se tensa o lubrica de manera inadecuada, se puede romper o se puede incrementar la probabilidad de que se produzca un contragolpe.*
- **Mantenga las manijas secas, limpias y sin aceite ni grasa.** *Si la manija está grasosa o aceitosa se resbala y provoca la pérdida del control.*
- **Corte sólo madera. No utilice la sierra de cadena para otros fines para los cuales no se diseñó. Por ejemplo: no use la sierra de cadena para cortar plástico, mampostería u otros materiales de construcción que no sean madera.** *El uso de la sierra de cadena para operaciones distintas a aquéllas para las que fue diseñada podría causar una situación de peligro.*

Causas del contragolpe y maneras en que el operador puede evitarlo:

Puede haber un contragolpe cuando la punta de la barra de guía toca un objeto, o cuando la madera se cierra y comprime la cadena de la sierra en el corte.

En ciertos casos, el contacto de la punta puede ocasionar una acción inversa repentina, haciendo retroceder la barra de guía hacia arriba y de nuevo hacia el operador.

Comprimir la cadena de la sierra a lo largo de la parte superior de la barra de guía puede empujar la barra rápidamente hacia el operador.

Cualquiera de estas reacciones puede hacerle perder el control de la sierra, con lo que se podrían producir lesiones graves. No confíe exclusivamente en los dispositivos de seguridad incorporados en la sierra. Como usuario de la sierra de cadena, debe tomar numerosas medidas para que no se produzcan accidentes ni lesiones durante los trabajos de corte.

El contragolpe se produce como resultado del uso indebido de la herramienta y/o de procedimientos o condiciones de uso incorrectos, y se pueden evitar tomando las precauciones adecuadas como se indica a continuación:

- **Sujete firmemente la manija de la sierra de cadena, encerrándola con los pulgares y los demás dedos, con ambas manos en la sierra y posicione el cuerpo y el brazo de manera que le permitan resistir las fuerzas de los contragolpes.** *El operador puede controlar las fuerzas de contragolpe, si se toman las precauciones debidas. No suelte la sierra de cadena.*
- **No adopte posturas forzadas para llegar a lugares difíciles de alcanzar ni corte por arriba de la altura del hombro.** *De esta manera se evita el contacto indebido de la punta y se permite un mejor control de la sierra de cadena en situaciones inesperadas.*
- **Utilice sólo barras y cadenas de repuesto especificadas por el fabricante.** *Si las barras y las cadenas de reemplazo son incorrectas, se puede romper la cadena y/o se puede producir un contragolpe.*
- **Siga las instrucciones de afilado y mantenimiento del fabricante de la cadena de la sierra.** *Si se reduce la altura del calibrador de la medida de profundidad se puede aumentar el contragolpe.*

LEA TODAS LAS INSTRUCCIONES ANTES DE USAR LA UNIDAD



ADVERTENCIA: Se deben respetar todas las instrucciones de seguridad al usar la unidad. Por favor, lea estas instrucciones antes de utilizar la unidad para garantizar la seguridad del operador y los observadores. Por favor, guarde estas instrucciones para su uso posterior.

ADVERTENCIAS GENERALES DE SEGURIDAD

- Lea las instrucciones con atención. Debe familiarizarse con los controles y con el uso apropiado de la unidad. Sepa cómo detener la unidad y desconectar los controles rápidamente.
- No opere esta unidad si está cansado, enfermo o bajo la influencia de alcohol, drogas o medicamentos.
- Nunca permita a los niños operar la unidad. Nunca permita a los adultos operar la unidad sin las instrucciones adecuadas.
- Se deben instalar correctamente todos los protectores y accesorios de seguridad antes de operar la unidad.
- Inspeccione la unidad antes de usarla. Reemplace las piezas dañadas. Compruebe que todas las sujeciones estén en su lugar y bien ajustadas. Reemplace las piezas que estén agrietadas, astilladas o dañadas de cualquier manera. No utilice la unidad si hay piezas sueltas o dañadas.
- Tenga en cuenta el riesgo de lesiones en la cabeza, las manos y los pies.
- Inspeccione el área con atención antes de arrancar la unidad. Extraiga las rocas, los vidrios rotos, los clavos, los cables, cordeles y demás objetos que podrían ser arrojados o enredarse en la unidad.
- Despeje la zona de niños, observadores y mascotas; manténgalos fuera de un radio de 50 pies (15 m), como mínimo. Incluso a esa distancia, sigue el riesgo de ser alcanzados por los objetos arrojados por el aire. Sugíérales a los observadores que usen protección ocular. Si alguien se le aproxima, detenga la unidad de inmediato.

ADVERTENCIAS DE SEGURIDAD PARA LAS UNIDADES ELÉCTRICAS

- No exponga la unidad a la lluvia o a condiciones húmedas.
- No utilice la unidad, los cables ni los enchufes con las manos mojadas.
- Evite los ambientes peligrosos. No utilice la unidad bajo la lluvia, en condiciones húmedas ni en superficies mojadas. La humedad representa un peligro de descarga eléctrica.
- Para reducir el riesgo de descarga eléctrica, evite el contacto del cuerpo con elementos conductores con puesta a tierra, por ejemplo, caños metálicos o cercos de alambre.
- No utilice la unidad en atmósferas explosivas, por ejemplo, en presencia de líquidos, gases o polvo inflamables.
- La unidad lleva una placa de identificación que indica el voltaje utilizado. Nunca conecte la unidad con un voltaje de CA que difiera de este voltaje.
- El uso de un cable prolongador inadecuado puede generar riesgo de incendio, descarga eléctrica o electrocución.



ADVERTENCIA: Para reducir el riesgo de descarga eléctrica, use sólo cables de extensión aprobados para uso en exteriores, como un cable de extensión con cable tipo SW-A, SOW-A, STW-A, STOW-A, SJW-A, SJOW-A, SJTW-W o SJTOW-A. Puede adquirir cables de extensión en su distribuidor local. Use sólo cables de extensión de camisa cilíndrica aprobados para su uso al exterior.

- No utilice cables prolongadores múltiples.
- Asegúrese de que el cable prolongador sea suficientemente pesado como para transportar la corriente que toma la unidad. Si el cable prolongador es de calibre inferior al requerido se producirá una caída del voltaje de línea y esto dará lugar a la pérdida de potencia y el sobrecalentamiento. Si está en duda, utilice cable del calibre más grueso siguiente. A menor número de calibre, mayor grosor de cable.

TAMAÑO MÍNIMO DEL CABLE PARA PROLONGADORES DE ARTEFACTOS DE 120 VOLTIOS QUE USAN 12-16 AMPERIOS

Longitud del cable (pies)	25	50	100	150
Calibre (AWG)	14	12	*	*
*No se recomienda				

- Asegúrese de que los cables estén en buenas condiciones. Inspeccione el cable de alimentación y el cable prolongador periódicamente. Observe detenidamente para ver si hay deterioro, cortes o grietas en el aislamiento. Si el cable se daña de algún modo cuando está enchufado, desconecte el cable del tomacorriente y de la unidad. No utilice un cable dañado. Un distribuidor de servicio autorizado debe reemplazar o reparar los cables dañados.
- No use los cables en forma inadecuada. Nunca arrastre ni lleve la unidad tirando del cable. Mantenga los cables lejos de fuentes de calor, aceite, agua, bordes filosos y objetos en movimiento. Para desconectar un cable agarre siempre el enchufe.
- No modifique nunca un enchufe, un cable ni un tomacorriente de ninguna manera.
- En el(los) circuito(s) a ser usados con esta unidad siempre se debe suministrar protección con un interruptor de detección de falla a tierra (GFCI). Para proporcionar una medida adicional de seguridad, utilice receptáculos con protección GFCI incorporada.



ADVERTENCIA: Para reducir el riesgo de descarga eléctrica, es recomendable utilizar un interruptor del circuito de fallos de conexión a tierra (ICFCT) con una corriente de disparo de 30 mA o menor.

- Mantenga los cables alejados de la zona de trabajo. Ubique los cables de manera tal que no queden enganchados ni enredados en las ramas ni en otros obstáculos durante el trabajo.
- A fin de evitar tropiezos, mantenga los cables alejados de los pies del operador.
- Desconecte siempre la unidad del tomacorriente cuando no esté en uso.
- Evite que el cable de alimentación se desconecte del prolongador durante el trabajo, para lo que debe usar una correa de seguridad para el tomacorriente, o hacer un nudo (Fig. A).

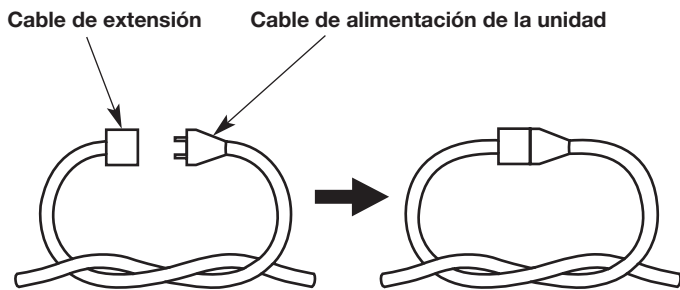


Fig. A

- A fin de reducir el riesgo de descargas eléctricas, esta unidad tiene un enchufe polarizado (un conector es más ancho que el otro). Para los enchufes polarizados se requieren prolongadores polarizados. El enchufe entra en el prolongador de una sola manera. Si el enchufe no entra completamente en el prolongador invierta el enchufe. Si el enchufe aún no entra, obtenga otro prolongador polarizado. Para los prolongadores polarizados se requieren tomacorrientes de pared polarizados. El prolongador entra en el tomacorriente de pared de una sola manera. Si el prolongador no entra completamente en el tomacorriente de pared, invierta el enchufe. Si el prolongador sigue sin entrar, comuníquese con un electricista calificado para instalar el tomacorriente de pared adecuado.
- Esta es una unidad con aislamiento doble. Se suministran dos sistemas de aislación en lugar de la puesta a tierra. No se suministra puesta a tierra y no se debe agregar a la unidad ninguna forma de puesta a tierra. Para el servicio de una unidad con aislamiento doble, se requiere actuar con extrema precaución y con conocimiento del sistema. El servicio debe realizarlo únicamente el personal de servicio autorizado. Las piezas de reemplazo para una unidad con aislamiento doble deben ser idénticas a las piezas que reemplazan. Si la reparación de la unidad con aislamiento doble la realiza un técnico de servicio no autorizado con piezas de reemplazo idénticas, se podrían producir lesiones graves.
- Dado que esta unidad tiene aislamiento doble, es posible utilizar un prolongador de 2 hilos (uno sin conexión a tierra). Sin embargo, se recomienda utilizar un prolongador de 3 hilos (uno con conexión a tierra) que utilice un conector tipo NEMA (conector paralelo, conexión a tierra en U).

DURANTE LA OPERACIÓN

- Utilice anteojos o antiparras de seguridad que cumplan con las normas ANSI / ISEA Z87.1 vigentes y que tengan la identificación correspondiente. Utilice una protección auditiva al operar esta unidad. Utilice una máscara facial o para polvos si la máquina levanta polvo durante su funcionamiento. Utilice un casco u otro tipo de protección para la cabeza.
- Use botas de seguridad y guantes de protección. Use ropa suelta y gruesa que incluya pantalones largos y camisa de manga larga. No use ropa holgada, alhajas, pantalones cortos, sandalias ni ande descalzo. Sujétese el cabello a nivel de los hombros.
- Compruebe que la cadena de la sierra no esté en contacto con nada antes de poner en marcha la unidad.
- Use la unidad solamente con luz de día o con una buena luz artificial.
- Evite arranques accidentales. El operador y la unidad deben estar en una posición estable durante el arranque. Consulte *Arranque y Parada*.
- Utilice la herramienta apropiada. Utilice esta herramienta sólo para el propósito para el que fue diseñada: para cortar madera. No use la unidad para cortar plástico, mampostería u otros materiales de construcción que no sean madera. Sólo use la unidad como se indica en este manual.
- Mantenga todas las partes del cuerpo alejadas de la cadena de la sierra cuando la unidad está funcionando. No toque ni intente detener las piezas móviles.
- No fuerce la unidad, especialmente cerca del extremo de un corte. Si se usa a la velocidad para la que fue diseñada, realizará un trabajo más eficiente y seguro.
- Apague siempre la unidad cuando la operación se demore, cuando apoye la unidad en el suelo o cuando la traslade de un lugar a otro. Compruebe que todas las piezas móviles se detengan completamente.
- Transporte la unidad por la manija delantera alejada del cuerpo y con la barra guía ubicada en la parte trasera. Cubra la barra guía y la cadena de la sierra con la funda cuando transporte la unidad.
- Si la unidad se golpea o se enreda con un objeto extraño, pare el motor de inmediato, desconecte la unidad de la alimentación de energía y deje que se enfríe. Luego, controle si se dañó. Si hay daño, no vuelva a arrancar o hacer funcionar la unidad hasta hacerlo arreglar. No utilice la unidad si hay piezas sueltas o dañadas.
- Use sólo piezas de reemplazo y accesorios del fabricante del equipo original (OEM) para esta unidad. Los puede adquirir al distribuidor de servicio autorizado. Si usa cualquier otra pieza o accesorio, el usuario podría lesionarse gravemente o la unidad podría dañarse y se anularía la garantía.
- Mantenga limpia la unidad. Quite con cuidado cualquier resto de vegetación u otros residuos que puedan bloquear las piezas móviles.
- Si la unidad comienza a vibrar de manera anormal, pare el motor de inmediato, desconecte la unidad de la alimentación de energía y deje que se enfríe. Luego inspeccione la unidad para determinar la causa de la vibración. La vibración por lo general indica que hay algún problema.
- Mantenga limpia el área de trabajo. Las áreas desordenadas se prestan a los accidentes. No comience a cortar hasta que el área de trabajo esté despejada y libre de obstrucciones. Compruebe que haya un lugar seguro para apoyar los pies y una senda de retirada planificada para los árboles y las ramas que caen.
- No corte cerca de cables eléctricos o líneas de tensión. Manténgase por lo menos a 50 pies (15 m) de distancia de las líneas de tensión.
- Para un desempeño más seguro y efectivo, compruebe que la barra de guía y la cadena se encuentran limpias, lubricadas, ajustadas y afiladas. Revise la barra de guía y la cadena a intervalos frecuentes para verificar que estén bien ajustadas.

- Tenga mucho cuidado al cortar una rama tensionada. Al aflojar la tensión, la rama puede rebotar y pegarle al operador, causándole lesiones graves o la muerte.
- Tenga mucho cuidado al cortar pequeños arbustos o retoños, todo el material delgado puede engancharse en la cadena de la sierra y darle un latigazo al operador o hacerle perder el equilibrio.
- Esta sierra está clasificada por UL como una sierra de Clase 2C conforme a CSA Z62.1-03. Está destinada al uso poco frecuente por parte de propietarios de viviendas, trabajadores rurales y excursionistas y para aplicaciones generales como despeje, poda, corte de leña, etc. No está destinada al uso prolongado. Si se pretende hacerla funcionar durante períodos prolongados, puede causar problemas circulatorios en las manos del operador debido a la vibración.
- No opere la unidad en un árbol o una escalera a menos que haya sido específicamente entrenado para hacerlo.
- No utilice la unidad donde hay líquidos o gases inflamables.
- No intente las operaciones que exceden la capacidad o experiencia del operador.
- No haga funcionar una unidad dañada, mal ajustada o que no está correcta y totalmente armada. Compruebe que las piezas móviles se detienen al apagar la unidad. No utilice la unidad si no se enciende y apaga como corresponde. Haga reemplazar las piezas defectuosas por un concesionario autorizado.
- Se debe evitar arrancar involuntariamente la unidad. Asegúrese de que el botón de seguridad esté en la posición en la que queda bloqueado antes de conectar o desconectar la unidad y la alimentación de energía. Nunca debe transportar la unidad con los dedos sobre el control del acelerador.
- No utilice la unidad si el botón de seguridad y el control del acelerador no arrancan y detienen la unidad.

SEGURIDAD AL REBOTAR



ADVERTENCIA: Puede haber un rebote cuando la punta de la barra de guía toca un objeto, o cuando la madera se cierra y comprime la cadena de la sierra en el corte. En ciertos casos, el contacto de la punta puede ocasionar una acción inversa relámpago, haciendo recular rápidamente la barra de guía hacia el operador. Comprimir la cadena de la sierra a lo largo de la parte superior de la barra de guía puede empujar la barra rápidamente hacia el operador. Cualquiera de estas reacciones puede ocasionarle lesiones graves al usuario. El contacto con objetos extraños dentro de la madera también puede provocar la pérdida de control de la motosierra.

Entendiendo el rebote

Una comprensión básica sobre el retroceso o rebote (kickback) ayuda a reducir o eliminar el elemento de sorpresa y la posibilidad de una lesión asociada con el mismo. La sorpresa repentina contribuye a los accidentes.

- **El rebote rotacional** puede ocurrir cuando la punta superior de la barra de guía toca un objeto mientras la cadena está en movimiento (Fig. B). Esto puede causar que la cadena se entierre en el objeto y deje de moverse momentáneamente. A continuación la barra de guía es impulsada hacia arriba y atrás en dirección al operador en una reacción inversa relámpago.
- **El retroceso lineal** puede ocurrir cuando la madera en cualquiera de los lados de un corte se acerca y aprieta la cadena de la sierra en movimiento a lo largo de la parte superior de la barra guía (Fig. C). Esto puede causar que la cadena se detenga instantáneamente. Se revierte el impulso de la cadena causando que la sierra se mueva en la dirección opuesta, enviando la sierra directamente hacia el operador.
- **La tracción** puede ocurrir cuando la cadena en movimiento en la parte inferior de la barra de guía se encuentra con un objeto extraño dentro de la madera. Esto puede causar que la cadena se detenga sorpresivamente. A continuación la sierra es empujada hacia adelante y lejos del operador, lo que podría resultar en pérdida de control de la sierra.

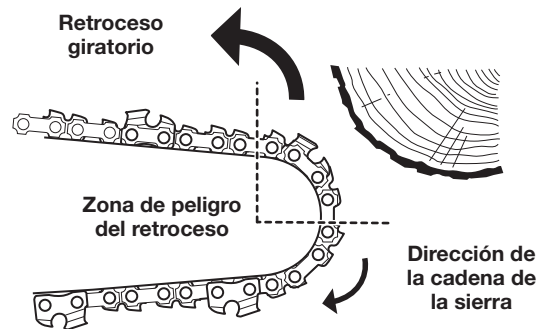


Fig. B

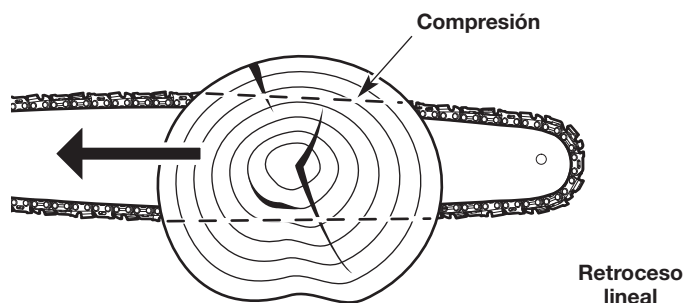


Fig. C

Precauciones de seguridad contra rebotes

Siga los siguientes pasos para reducir la posibilidad de un accidente o una lesión:

- No confíe exclusivamente en los dispositivos de seguridad incorporados en la unidad.
- No corte por arriba de la altura del hombro.
- No se extienda demasiado. Siempre debe estar bien afirmado y mantener el equilibrio adecuado. Tenga cuidado al trabajar sobre escalinatas, cuestas empinadas o pendientes
- No corte con la punta de la barra de guía.
- Compruebe que el área de operación esté libre de obstrucciones. No deje que la punta de la barra de guía toque ningún objeto, como un leño, una rama, el terreno u otra obstrucción.
- Inspeccione siempre la madera antes de cortarla. Los objetos extraños podrían dañar la unidad o causar lesiones personales graves. Nunca corte a través de clavos, varillas de metal, durmientes de ferrocarril o pálets.
- ¡No haga funcionar la unidad con una mano! La operación con una sola mano puede causar lesiones graves al operador, los ayudantes o los observadores. Esta unidad está destinada a ser usada con las dos manos. Agarre siempre la unidad firmemente con ambas manos cuando esté funcionando. Sostenga la manija delantera con la mano izquierda y la manija trasera con la mano derecha. Rodee firmemente las manijas con los pulgares y dedos de la mano. No las suelte. Una sujeción firme ayudará a mantener el control de la unidad y reducir la posibilidad de retroceso.
- Párese un poco a la izquierda de la unidad para evitar estar en línea directa con la cadena de la sierra.
- Nunca encienda la sierra cuando la barra de guía se encuentra adentro de un corte. Tenga mucho cuidado al volver a ingresar en un corte.
- Inicie siempre el corte con la unidad funcionando a velocidad máxima. Apriete el control del acelerador y mantenga una velocidad de corte uniforme. Las velocidades más bajas aumentan la posibilidad de rebote.
- Mantenga el alojamiento de la sierra presionado firmemente contra la madera.
- No corte más de un tronco o rama a la vez.
- No fuerza la unidad cuando retira la barra guía de un corte.
- Esté atento a los objetos que se desplazan (troncos, ramas, etc.) y que podrían comprimir o caer sobre la cadena de la sierra durante el funcionamiento.
- Utilice sólo cuñas de madera o plástico. No utilice metal para mantener abierto un corte.
- Siga las instrucciones de afilado y mantenimiento del fabricante de la cadena de la sierra.
- Utilice sólo barras y cadenas de repuesto especificadas por el fabricante o su equivalente. Las puede adquirir de los distribuidores de servicio autorizados. Si usa piezas o accesorios no autorizados, el operario podría lesionarse gravemente o la unidad podría dañarse y se anularía la garantía.
- Utilice dispositivos que reduzcan los riesgos relacionados con el retroceso, como ser cadenas de retroceso bajo, protectores de punta de barra guía, frenos de cadena y barras de guía de retroceso bajo. No hay otros componentes de repuesto para lograr protección contra el rebote de acuerdo con CSA Z62.3.

- Una cadena de sierra de retroceso bajo es una cadena que cumple con los requisitos de funcionamiento de retroceso bajo de ANSI/OPEI B175.1-2012 cuando se la prueba según las normas establecidas en ANSI/OPEI B175.1-2012. Una cadena de sierra de retroceso bajo es una cadena que también cumple con CSA Z62.3. No utilice una cadena de sierra de reemplazo a menos que cumpla con estos requisitos para este modelo específico o haya sido designada como cadena de sierra de retroceso bajo para reemplazo conforme con ANSI/OPEI B175.1-2012. A medida que las motosierras se afilan, se va perdiendo la cualidad de bajo rebote y se deben aumentar las precauciones.
- No instale una guía de arco en esta unidad. Las guías de arco tienen zonas de retroceso más grandes que aumentan la probabilidad de retroceso y lesiones graves. Este incremento no se reduce significativamente utilizando una cadena de sierra de retroceso bajo. La utilización de una guía de arco en esta unidad resulta sumamente peligrosa.




OTRAS ADVERTENCIAS DE SEGURIDAD

- El mantenimiento de la unidad debe ser minucioso. Siga todas las instrucciones de mantenimiento de este manual.
- Todas las tareas de reparación, con excepción de los procedimientos de mantenimiento que se describen en este manual, deben ser realizados por un distribuidor de servicio autorizado.
- No utilice la unidad si no funciona correctamente, si se ha caído, dañado, se ha dejado a la intemperie o caído en el agua. Haga efectuar el mantenimiento de la unidad por un distribuidor de servicio autorizado.
- Nunca extraiga, modifique o deje inoperativo ningún dispositivo de seguridad que venga con la unidad.
- Antes de inspeccionar, limpiar, guardar o transportar la unidad, o de hacer tareas de reparación o mantenimiento o reemplazar alguna de sus piezas:
 1. Pare el motor. Consulte *Arranque y Parada*.
 2. Espere hasta que todas las piezas se detengan.
 3. Desconecte la unidad de la fuente de alimentación.
 4. Deje que la unidad se enfríe.
- Sujete la unidad durante el transporte.
- Use siempre la funda de la barra de guía y la cadena durante el transporte y almacenamiento.
- Almacene la unidad en un lugar seco, asegurada o a una altura que evite que se la use sin autorización o se la dañe. Mantenga la unidad lejos del alcance de los niños.
- Nunca rocíe ni arroje chorros de agua ni de ningún otro líquido a la unidad. Evite el ingreso de agua en el motor y las conexiones eléctricas. Mantenga las manijas secas y limpias (sin residuos, aceite ni grasa). Limpie la unidad luego de cada uso. Consulte *Limpieza y almacenamiento*. No utilice solventes o detergentes fuertes.
- Guarde estas instrucciones. Consúltelas con frecuencia y úselas para capacitar a otros usuarios. Si le presta esta unidad a otras personas, también debe prestarles estas instrucciones.

GUARDE ESTAS INSTRUCCIONES

• SÍMBOLOS INTERNACIONALES Y DE SEGURIDAD •

Este manual del operador describe símbolos y pictografías internacionales y de seguridad que posiblemente aparezcan en este producto. Lea el manual del operador para informarse bien sobre la seguridad, ensamblaje, operación, mantenimiento y reparación.

SÍMBOLO	SIGNIFICADO
	<ul style="list-style-type: none"> • SÍMBOLO DE ALERTA DE SEGURIDAD Indica peligro, advertencia o precaución. Puede utilizarse junto a otros símbolos o pictografías.
	<ul style="list-style-type: none"> • LEA EL MANUAL DEL OPERADOR ADVERTENCIA: Lea el o los manuales del operador y siga todas las advertencias e instrucciones de seguridad. No hacerlo puede ocasionar lesiones graves al operador y/o a las personas presentes.
	<ul style="list-style-type: none"> • PROTÉJASE LA CABEZA, LOS OJOS Y LOS OÍDOS ADVERTENCIA: Los objetos lanzados y el ruido fuerte pueden ocasionar lesiones graves a los ojos y pérdida de la audición. Al operar esta unidad, use protección para los ojos que cumpla con la normas ANSI / ISEA Z87.1 y protección para los oídos. Utilice casco cuando opere esta unidad; los objetos que caen pueden causar graves lesiones en la cabeza. De ser necesario, use un protector facial completo.
	<ul style="list-style-type: none"> • NO USE ESTE EQUIPO BAJO LA LLUVIA ADVERTENCIA: Evite entornos peligrosos. No utilice nunca la unidad bajo la lluvia ni en condiciones mojadas o húmedas. La humedad constituye un peligro de descarga.
	<ul style="list-style-type: none"> • AISLACIÓN DOBLE Se suministran dos sistemas de aislación en lugar de la puesta a tierra. No se suministra puesta a tierra y no se debe agregar a la unidad ninguna forma de puesta a tierra.
V	• VOLTIOS - Voltaje
A	• AMPERES - Corriente
Hz	• HERTZ - Frecuencia (ciclos por segundo)
AC	• CORRIENTE ALTERNA - Tipo de corriente
"	• PULGADA - Unidad de medida (Inglesa)
mm	• MILÍMETRO - Unidad de medición (métrica)

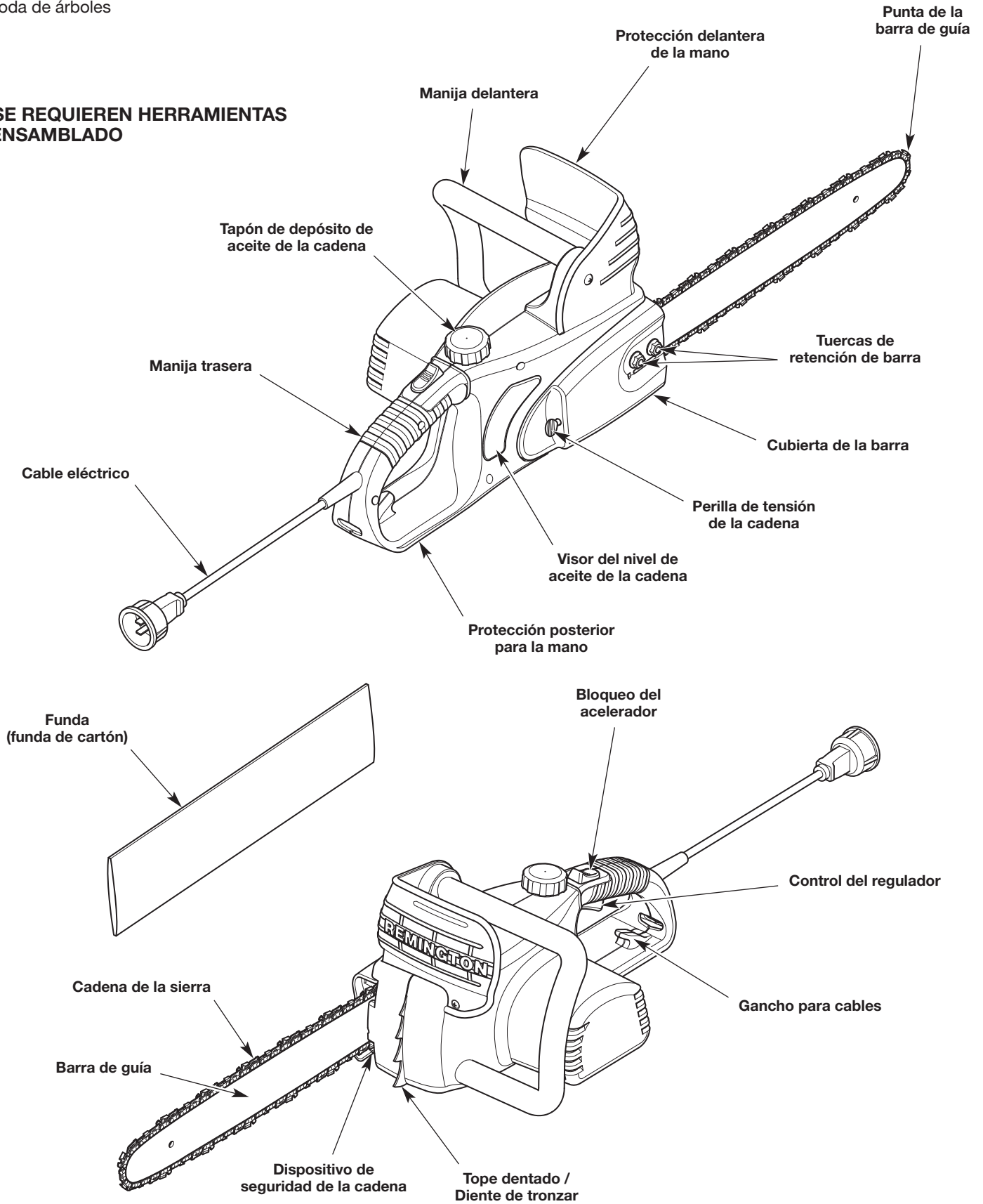
SÍMBOLO	SIGNIFICADO
I	• CONTROL DE ENCENDIDO/APAGADO DE PARADA ENCENDIDO / ARRANQUE / FUNCIONAMIENTO
O	• CONTROL DE ENCENDIDO/APAGADO DE PARADA APAGADO o PARADA
Min. 50 ft (15m) 	<ul style="list-style-type: none"> • MANTENGA ALEJADOS A LOS PRESENTES ADVERTENCIA: Mantenga a todos los presentes, especialmente a los niños y animales domésticos, a una distancia de al menos 50 pies (15 m).
	<ul style="list-style-type: none"> • UTILICE AMBAS MANOS ADVERTENCIA: Utilice siempre ambas manos mientras opera la unidad. Nunca opere la unidad con una mano sola.
	<ul style="list-style-type: none"> • RETROCESO ADVERTENCIA: Se debe evitar el contacto de la punta de la barra guía con cualquier objeto. El contacto con la punta puede hacer que la barra guía se mueva repentinamente hacia arriba y hacia atrás, lo que puede causar lesiones graves.
	<ul style="list-style-type: none"> • ACEITE DE LA CADENA Para funcionar correctamente la cadena debe estar constantemente recubierta de aceite. Asegúrese de que el depósito de aceite de la cadena está siempre lleno. Use siempre aceite para barra y cadena.
	<ul style="list-style-type: none"> • DIRECCIÓN DE LA CADENA Compruebe que la cadena de la sierra mire en la dirección que se muestra cuando se instala en la barra guía. Consulte Instalación de la barra guía y de la cadena de la sierra en la sección Mantenimiento.
	<ul style="list-style-type: none"> • TENSIÓN DE LA CADENA Siempre mantenga la cadena de la sierra correctamente tensada. Gire la perilla de tensión de la cadena en el sentido de las agujas del reloj para tensar la cadena de la sierra. Gire la perilla de tensión de la cadena en el sentido contrario a las agujas del reloj para aflojar la cadena de la sierra.

CONOZCA SU UNIDAD

USOS

- Tala y desramado de árboles
- Corte de troncos (tronzado)
- Poda de árboles

NO SE REQUIEREN HERRAMIENTAS DE ENSAMBLADO



TÉRMINOS Y DEFINICIONES FUNDAMENTALES

- **SIERRA DE CADENA** - Es una herramienta que está diseñada para cortar madera con una cadena de sierra. Una sierra de cadena es una unidad integrada que está compuesta por un motor, una cadena de sierra, una barra de guía y manijas que están diseñadas para sujetarlos con las dos manos durante el trabajo.
- **CABEZAL MOTOR DE LA SIERRA DE CADENA** - Es una sierra de cadena sin la cadena y la barra de guía.
- **RUEDA DENTADA DE IMPULSIÓN** - Es una rueda dentada que impulsa la cadena de la sierra.
- **MANIJA DELANTERA** - Es una manija de sujeción que está ubicada en el frente de la sierra de cadena.
- **MANIJA TRASERA** - Es una manija de sujeción que está ubicada en la parte trasera de la sierra de cadena.
- **PROTECCIÓN DELANTERA DE MANO** - Es una barrera estructural entre la manija delantera y la barra de guía. La protección delantera de mano ayuda a proteger la mano izquierda del operador en caso de que se deslice de la manija delantera mientras la unidad está en funcionamiento.
- **PROTECCIÓN POSTERIOR PARA LA MANO** - Es una barrera estructural que está debajo de la manija trasera. La protección posterior para la mano protege la mano derecha del operador si se corta o desengancha la cadena de la sierra de la barra de guía durante el uso.
- **BARRA DE GUÍA** - Es una estructura sólida de riel que sostiene y guía la cadena de la sierra.
- **PUNTA DE LA BARRA DE GUÍA** - Es la punta o extremo de la barra de guía.
- **BARRA DE GUÍA DE CONTRAGOLPE REDUCIDO** - Es una barra de guía que se ha demostrado que reduce significativamente el contragolpe.
- **CADENA DE LA SIERRA** - Es una cadena dentada que está diseñada para cortar madera, que se acciona mediante el motor y está sostenida por la barra de guía. La cadena de la sierra está compuesta por eslabones de impulsión, cortadores y eslabones laterales, unidos entre sí por remaches.
- **CADENA DE SIERRA DE CONTRAGOLPE REDUCIDO** - Es una cadena de sierra que cumple con los requerimientos de rendimiento ante contragolpes establecidos por la norma ANSI/OPEI B175.1-2012 cuando se prueba en una muestra representativa de sierras de cadena. Cadena de sierra de retroceso bajo reduce significativamente la posibilidad de retroceso y su intensidad debido a los calibres de profundidad y los eslabones de protección diseñados especialmente.
- **CADENA DE SIERRA DE REPUESTO** - Es una cadena de sierra que cumple con los requerimientos de rendimiento ante contragolpes establecidos por la norma ANSI/OPEI B175.1-2012 cuando se prueba con sierras de cadena específicas. Puede no cumplir con los estándares de rendimiento establecidos por ANSI/OPEI si se la usa con otras sierras de cadena.
- **DIENTES DE FIJACIÓN** - Es el diente (o los dientes) protuberante, que está en la parte delantera de la sierra de cadena, que se usa al talar o trozar para ayudar a girar la sierra y mantener una posición estable durante el corte.
- **GANCHO RETENEDOR DE LA CADENA** - Es un dispositivo que está diseñado para interceptar la cadena si se suelta. El gancho retenedor de la cadena reduce las probabilidades de que se produzcan lesiones si se rompe o desengancha la cadena de la sierra de la barra de guía durante el trabajo.
- **CONTROL DE LUBRICACIÓN** - Sistema para lubricar la cadena de la sierra y la barra de guía.
- **INTERRUPTOR** - Dispositivo que, cuando se lo utiliza, termina o interrumpe el circuito eléctrico al motor de la sierra.
- **VÍNCULO CON EL INTERRUPTOR** - Es un mecanismo que transfiere movimiento desde el gatillo (control del acelerador) al interruptor.
- **GATILLO (CONTROL DEL ACELERADOR)** - Es un dispositivo que, cuando se opera en conjunto con el bloqueo del interruptor (bloqueo del acelerador), enciende el motor. Si se suelta el gatillo (control del acelerador), se apaga de inmediato el motor. La cadena de la sierra continúa andando hasta detenerse.
- **BLOQUEO DEL INTERRUPTOR (BLOQUEO DEL ACELERADOR)** - Dispositivo que evita que la unidad arranque de manera accidental. El gatillo (control del acelerador) no se puede apretar a menos que se active manualmente el bloqueo del interruptor (bloqueo del acelerador).
- **CONTRAGOLPE** - Movimiento repentino hacia atrás y/o arriba de la barra de guía y la cadena de la sierra. El contragolpe se puede producir si la parte superior de la punta de la barra de guía toca un objeto mientras la cadena de la sierra está girando (contragolpe giratorio). El contragolpe también se puede producir si la madera se cierra y presiona la cadena de la sierra dentro del corte (contragolpe lineal).
- **CONTRAGOLPE GIRATORIO** - Movimiento repentino hacia atrás y arriba de la barra de guía y la cadena de la sierra. El contragolpe giratorio se puede producir si la parte superior de la punta de la barra de guía toca un objeto mientras la cadena de la sierra está girando. A continuación la barra de guía y la cadena de la sierra son impulsadas hacia arriba y atrás en dirección al operador en una reacción inversa relámpago.
- **CONTRAGOLPE LINEAL (CONTRAGOLPE CON PRESIÓN)** - Movimiento repentino hacia atrás de la barra de guía y la cadena de la sierra. El contragolpe lineal (presión) se puede producir si la madera se cierra y presiona la cadena de la sierra dentro del corte. Entonces, la sierra retrocede rápidamente hacia el operador.
- **POSICIÓN DE CORTE NORMAL** - Las posiciones que se adoptan al realizar los cortes para talar o trozar.
- **TALA** - La tala es el proceso de cortar un árbol.
- **CORTE INFERIOR DE LA MUESCA** - Es el primer procedimiento de corte del proceso de tala de un árbol. Una muesca es un corte en un lado del árbol para dirigir su caída.
- **CORTE FINAL DE TALA** - El corte final en el proceso de tala del árbol. El corte final de tala se hace en el lado contrario del árbol al que se realizó el corte inferior de la muesca.
- **TROZADO** - El proceso de cortar un árbol talado o un tronco en trozos.
- **DESRAMADO** - El proceso de cortar las ramas de un árbol caído.
- **PODA** - El proceso de cortar las ramas de un árbol vivo.

ESPECIFICACIONES*

Tipo de motor	Eléctrico, con cable
Voltaje del motor.	120 VCA
Amperaje del motor	12 Amperios
Lubricación	Aceite de cadena y barra
Capacidad del depósito de aceite de la cadena	8.8 onzas (262 mL)
Peso aproximado de la unidad (sin aceite de cadena)	9 - 10 libras (4.1 - 4.5 kg)
Longitud de la barra guía	16 pulgadas (40.6 cm)
Paso de la cadena de la sierra	3/8 pulgadas (9,5 mm)
Calibre de la cadena de la sierra	0.050 pulgadas (1.3 mm)

* Todas las especificaciones se basan en la información del producto más reciente disponible en el momento de la impresión. Nos reservamos el derecho de hacer cambios en cualquier momento, sin previo aviso.

REPUESTOS

Para solicitar repuestos póngase en contacto con el Departamento de Asistencia al Cliente.

Pieza #	Descripción
713-04090	Cadena de la sierra (16 pulgadas / 40.6 cm)
795-00119	Barra guía (16 pulgadas / 40.6 cm)
712-04230	Tuercas de retención de barra

AGREGADO DE ACEITE DE LA CADENA Y BARRA: USO INICIAL

Esta unidad viene de fábrica con el depósito de aceite de la cadena vacío. Llene el depósito de aceite de la cadena con aceite para barras y cadenas antes de arrancar o usar la unidad. Consulte las instrucciones de *Agregado de aceite de la cadena y barra* en la sección *Mantenimiento*.

AJUSTE DE TENSIÓN DE LA CADENA: USO INICIAL

La cadena de la sierra debe estar debidamente tensada antes de utilizar la unidad. Posiblemente la cadena de la sierra también necesitará tensado adicional ya que ésta se calienta durante el funcionamiento. Consulte las instrucciones de *Ajuste de tensión de la cadena* en la sección *Mantenimiento*.

CONEXIÓN Y DESCONEXIÓN A LA FUENTE DE ALIMENTACIÓN



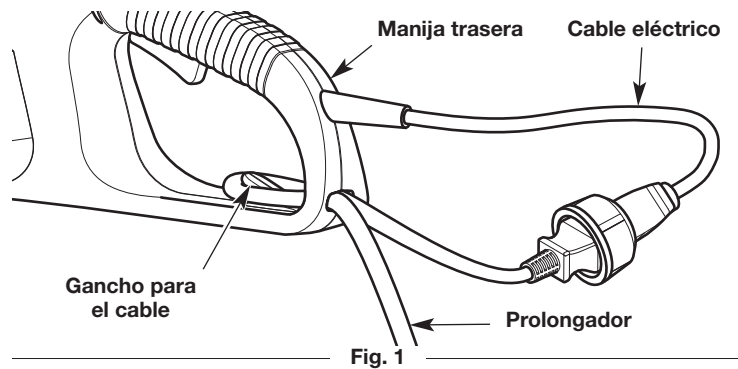
ADVERTENCIA: Compruebe que se suelte el control del acelerador antes de conectar o desconectar la fuente de alimentación. Consulte la sección *Arranque y parada*.

Procedimiento para conectar la unidad a la fuente de alimentación

1. Enchufe el cable de alimentación al prolongador.
2. Haga un lazo estrecho en el prolongador (Fig. 1).
3. Empuje dicho lazo a través del orificio de la manija trasera (Fig. 1).
4. Ubique el bucle sobre el gancho para el cable (Fig. 1). Tire suavemente del bucle para sujetar el cable en su lugar.
5. Enchufe el prolongador en un tomacorriente eléctrico adecuado.

Procedimiento para desconectar la unidad de la fuente de alimentación

1. Desenchufe el prolongador del tomacorriente.
2. Desenchufe el cable de alimentación del prolongador.
3. Extraiga el cable enlazado del gancho para cables y el orificio en la manija trasera (Fig. 1).



ARRANQUE Y PARADA



ADVERTENCIA: Nunca opera la unidad sin haber instalado adecuadamente la barra guía y la cadena de la sierra. Compruebe que las tuercas de retención de la barra estén ajustadas y la cubierta de la barra guía esté colocada de manera segura. Compruebe que la cadena de la sierra esté tensada adecuadamente.



ADVERTENCIA: La cadena de la sierra girará una vez que arranque la unidad. Mantenga las manos y los pies lejos de la cadena de la sierra y no deje que ésta entre en contacto con ningún objeto.

ANTES DE ARRANCAR LA UNIDAD

1. Llene el depósito de aceite de la cadena con aceite de la cadena y barra. Consulte *Agregado de aceite de la cadena y barra* en la sección *Mantenimiento*.
2. Conecte el cable de alimentación a un prolongador adecuado. Conecte el prolongador a un tomacorriente adecuado. Consulte *Conexión y desconexión a la fuente de alimentación*.

INSTRUCCIONES DE ARRANQUE

Para ayudar a evitar que el motor arranque accidentalmente, tanto el bloqueo del acelerador como el control del acelerador deben estar activados para arrancar la unidad.

1. Oprima y mantenga apretado el bloqueo del acelerador (Fig. 2).
2. Continúe apretando el bloqueo del acelerador. Apriete y mantenga apretado el control del acelerador para hacer arrancar la unidad (Fig. 2).
3. Suelte el bloqueo del acelerador pero siga apretando el control del acelerador.

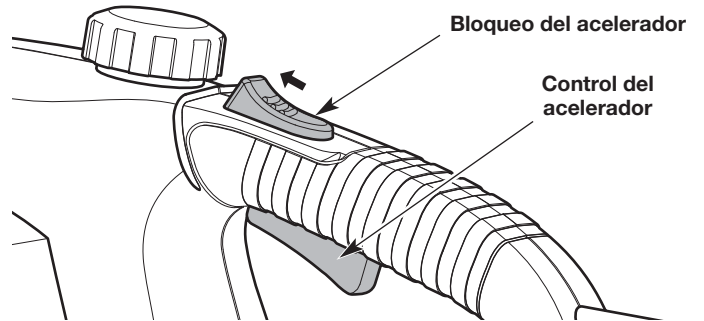


Fig. 2

INSTRUCCIONES DE PARADA

1. Libere el control del acelerador y espere hasta que todas las piezas móviles se hayan detenido por completo (Fig. 2).

NOTA: Al soltar el control del acelerador, su bloqueo debe reponerse hasta la posición en que está bloqueado.

OPERACIÓN



ADVERTENCIA: No exponga las herramientas eléctricas a la lluvia o a condiciones húmedas.



ADVERTENCIA: Controle siempre la tensión de la cadena antes del uso y controle con frecuencia la tensión de la cadena durante el funcionamiento. Ajuste según sea necesario. Consulte *Ajuste de tensión de la cadena* en la sección *Mantenimiento*.



ADVERTENCIA: Asegúrese de que el depósito de aceite de la cadena está lleno antes de la operación. Controle constantemente el nivel de aceite para que no caiga por debajo de la mitad. Para funcionar correctamente la cadena de la sierra debe estar constantemente recubierta de aceite.



ADVERTENCIA: Utilice siempre una adecuada protección ocular, auditiva, de manos, pies y corporal para reducir el riesgo de sufrir lesiones durante la operación de esta unidad. Use casco protector. De ser necesario, use un protector facial completo. Consulte la sección *Seguridad* para información apropiada del equipamiento de seguridad.


RECOMENDACIONES PARA MEJORES RESULTADOS

- Siga todas las instrucciones de seguridad. Consulte la sección *Seguridad*.
- Corte únicamente madera y materiales hechos de madera. No intente cortar lámina de metal, plásticos, mampostería o cualquier otro material que no sea de madera.
- Practique cortar algunos troncos pequeños antes de comenzar una operación importante de corte. Quienes la usen por primera vez, deben practicar el corte de troncos sobre un caballete de aserrar o un bastidor antes de emprender otras operaciones.
- No intente cortar árboles o troncos con diámetros mayores de 12 pulgadas (30.5 cm).

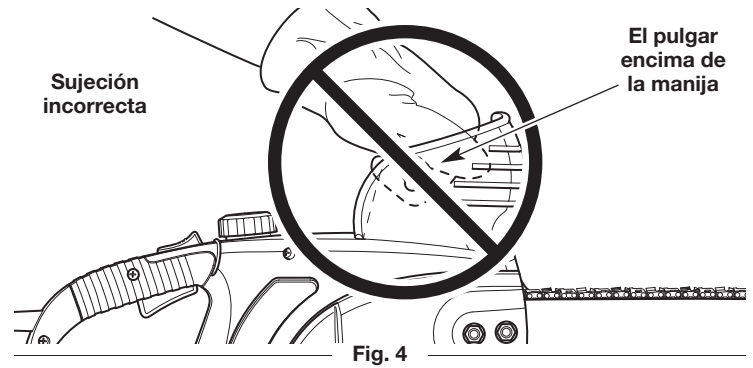
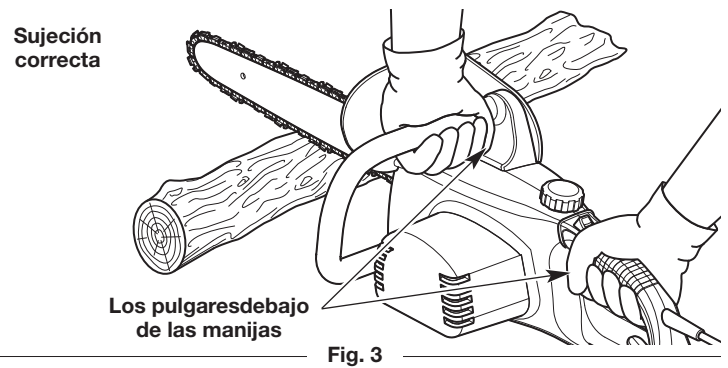
PREPARACIÓN DEL ÁREA DE TRABAJO

- Despeje la zona de niños, observadores y mascotas; manténgalos fuera de un radio de 50 pies (15 m), como mínimo. Incluso a esa distancia, sigue el riesgo de ser alcanzados por los objetos arrojados por el aire. Sugiera a los observadores que usen protección ocular. Si alguien se le aproxima, detenga la unidad de inmediato. Al talar, la distancia segura es por lo menos dos veces la altura del árbol más alto en el área de trabajo. Al tronzar, mantenga alejados a los operarios por lo menos 15 pies (4,6 m).
- Mantenga limpia el área de trabajo. Las áreas desordenadas se prestan a los accidentes. No comience a cortar hasta que el área de trabajo esté despejada y libre de obstrucciones. Compruebe que haya un lugar seguro para apoyar los pies y una senda de retirada planificada para los árboles y las ramas que caen.
- No corte cerca de cables eléctricos o líneas de tensión. Manténgase por lo menos a 50 pies (15 m) de distancia de las líneas de tensión.
- Use la unidad solamente con luz de día o con una buena luz artificial.

SUJETAR LA UNIDAD

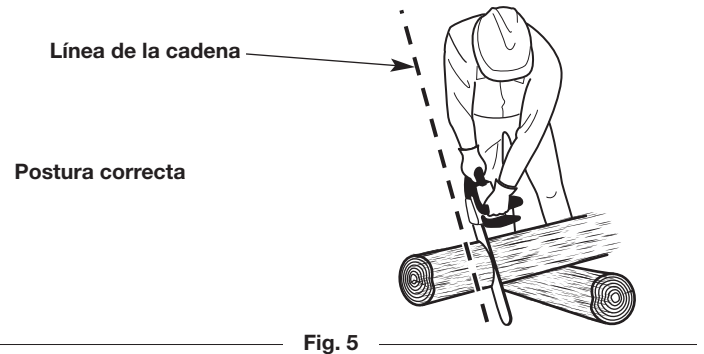
 **ADVERTENCIA:** Sostenga siempre la manija delantera con la mano izquierda y la manija trasera con la mano derecha. Mantenga siempre todas las partes del cuerpo a la izquierda de la línea de la cadena.

- Rodee firmemente las manijas con los pulgares y dedos de la mano (Fig. 3). Esto reducirá la posibilidad de perder el control de la unidad en caso de que se produzca un retroceso. Cualquier sujeción con los pulgares y dedos de la mano en el mismo lado de las manijas es peligroso (Fig. 4).
- Agarre siempre la unidad firmemente con ambas manos cuando esté funcionando.
- Sostenga la manija delantera con la mano izquierda. Mantenga el brazo izquierdo derecho para soportar un retroceso potencial.
- Sujete la manija trasera con la mano derecha. Mantenga el brazo derecho ligeramente flexionado.
- Utilice estos lugares para las manos independientemente de que el operador sea diestro o zurdo. Esto ayudará a mantener al operador levemente hacia la izquierda de la unidad y fuera de la línea directa de la sierra en caso de que se produzca un retroceso (Fig. 5 y Fig. 6).
- Párese en posición estable con los pies separados y bien plantados.
- No corte por arriba de la altura del hombro. No se extienda demasiado.



ASPECTOS BÁSICOS DEL PROCEDIMIENTO DE CORTE

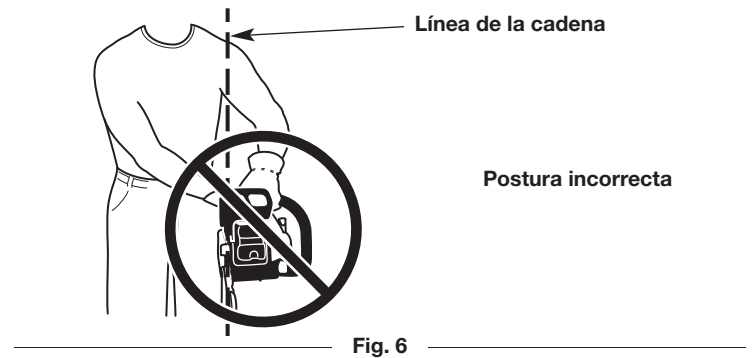
1. Arranque la unidad. Consulte *Instrucciones de arranque* en la sección *Arranque y detención*.
2. Acelere la unidad a la máxima velocidad antes de cortar.
3. Oprima la unidad contra la madera y mantenga una presión firme y constante durante la mayor parte de la operación de corte. No agregue presión a la unidad al final del corte.
4. Mantenga una velocidad constante durante el corte. Mantenga funcionando la unidad durante todo el corte.
5. No intente forzar la sierra a través de la madera. Deje que la cadena de la sierra haga el corte. Ejercer sólo una leve presión. Forzar el corte podría dañar la unidad o causar lesiones personales.
6. Suelte el control del acelerador tan pronto como se haya concretado el corte. Deje que la cadena de la sierra se detenga completamente. La cadena de la sierra, la barra guía y el motor podrían sufrir un desgaste innecesario si se hace funcionar la unidad sin una carga de corte.



TALA: SEGURIDAD

La tala (felling) es el proceso de cortar un árbol. Siga estas medidas de seguridad para reducir el riesgo de lesiones graves, daños materiales y daños a los cables de electricidad:

- No tale árboles que tengan una inclinación extrema. No tale árboles con ramas secas, cortezas sueltas o troncos huecos. Haga que estos árboles sean derribados con equipamiento pesado.
- No corte árboles cerca de edificios o cables de electricidad. Deje estas operaciones para que las realicen profesionales en la materia. Si el árbol talado toca un cable eléctrico notifíquelo de inmediato a la empresa de electricidad.
- Inspeccione el árbol para detectar ramas secas o dañadas que podrían caer y causar lesiones graves.



- Retire la tierra, piedras, cortezas sueltas, clavos, alambres y otras obstrucciones provenientes del árbol que se va a talar.
- Cuando dos o más personas efectúan operaciones de talado y tronzado (bucking) en la misma área general, éstas deben estar separadas una de otra por una distancia de al menos el doble de la altura del árbol a talar.
- Tenga en cuenta la fuerza y la dirección del viento. Analice la inclinación y el equilibrio del árbol. Tenga en cuenta la ubicación de las ramas grandes. Todos estos factores influyen en la dirección en la cual caerá el árbol. No intente talar un árbol en una dirección distinta a la de su línea natural de caída.
- No tale árboles durante los períodos de precipitaciones o vientos fuertes.
- Determine una senda de escape rápida y segura. Despeje el área alrededor del árbol y compruebe que no haya obstrucciones que bloqueen la senda de escape. Establezca un corredor de escape en un ángulo de 90°, aproximadamente a 135° de la línea de caída (Fig. 7).
- Manténgase cuesta arriba del árbol; es muy probable que al caer éste ruede o se deslice cuesta abajo.

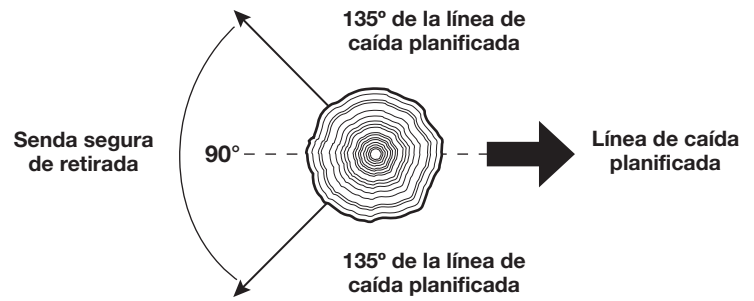


Fig. 7

TALA: PROCEDIMIENTO

Los árboles pequeños de hasta 6 - 7 pulgadas (15 - 18 cm) de diámetro generalmente se talan en un solo corte. Los árboles más grandes necesitan de una secuencia de dos operaciones de corte: un corte inferior de muesca seguido de un corte final de tala. Posiblemente también sea necesario eliminar las raíces de apoyo.

Paso 1: Eliminación de las raíces de apoyo

Las raíces de apoyo son raíces grandes que se extienden por encima del suelo y ayudan a sostener el árbol. Si el árbol tiene raíces de apoyo grandes que podrían impedir el proceso de tala, siga estos pasos para su eliminación:

1. Haga un corte horizontal en la raíz de apoyo (Fig. 8). Para evitar que el peso de la madera comprima la barra guía, siempre haga este corte en primer lugar.
2. Haga un corte vertical en la raíz de apoyo (Fig. 8).
3. Retire la sección suelta del área de trabajo.

Paso 2: Ejecución del corte inferior de la muesca



ADVERTENCIA: Nunca camine delante de un árbol que tenga el corte inferior de la muesca.

Este corte determina en qué dirección caerá el árbol. Haga siempre este corte en el lado del árbol que mira en la dirección en que debería caer. Haga el corte en un ángulo de 90° respecto de la línea de caída.

1. Haga un corte horizontal en el tronco del árbol (Fig. 9). El corte debería ser de aproximadamente 1/3 del diámetro del árbol y cerca del suelo. Para evitar que el peso de la madera comprima la barra guía, siempre haga este corte en primer lugar.
2. Haga un corte a 45° en el tronco del árbol, arriba del primer corte (Fig. 9). Continúe cortando hasta que los dos cortes se unan.
3. Retire la sección suelta del área de trabajo.

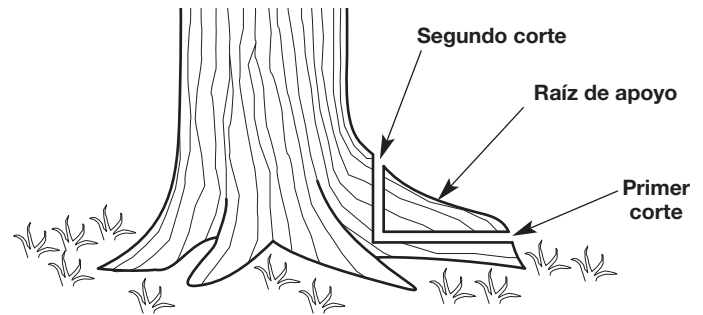


Fig. 8

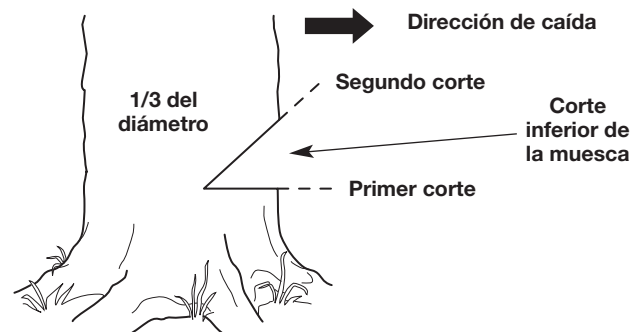


Fig. 9

Paso 3: Ejecución del corte final de tala



ADVERTENCIA: Antes de hacer el corte final de tala siempre verifique que no haya personas, animales y obstáculos.

Este corte derriba el árbol.

1. Haga un corte horizontal en el lado opuesto del árbol a partir del corte inferior de la muesca (Fig. 10). Haga el corte aproximadamente 2 pulgadas (5 cm) por encima del corte inferior de la muesca (Fig. 10).
2. A medida que el corte se acerque al corte inferior de la muesca, el árbol sólo estará sostenido por una delgada banda de madera. Esta banda de madera se denomina bisagra (Fig. 10). La bisagra ayuda a controlar la caída del árbol. Deje aproximadamente 2 pulgadas (5 cm) de la bisagra en su lugar. No atraviese la bisagra. Si el corte atraviesa la bisagra podría hacer que el árbol caiga en cualquier dirección.
3. Periódicamente y durante el corte final de tala mire hacia arriba para ver si el árbol cae en la dirección correcta. Si hay alguna posibilidad de que el árbol no caiga en la dirección deseada o que se bambolee hacia atrás y apriete la cadena de la sierra, retire la barra guía del corte, detenga la unidad y utilice cuñas para abrir el corte y dirigir la caída (Fig. 11). Utilice únicamente cuñas de plástico o de madera. Inserte las cuñas lentamente en el corte. Una vez que éstas estén en su lugar y el corte se mantiene abierto vuelva a insertar la barra guía con cuidado y continúe con el corte o mueva las cuñas lentamente hacia adentro para empujar más el árbol.
4. A medida que se achica la bisagra, el árbol debería comenzar a caer. Cuando esto sucede, retire la sierra de cadena del corte, detenga el motor y apoye de inmediato la unidad. Salga rápidamente del área por la senda de retirada, pero siga observando el árbol mientras cae.

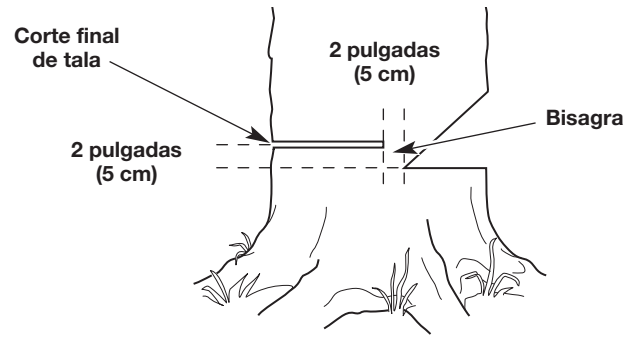


Fig. 10



Fig. 11



PELIGRO: Si el árbol comienza a caer en la dirección incorrecta y aprieta la sierra de cadena, abandone la unidad y evacúe el área de inmediato. ¡No intente recuperar la sierra!



ADVERTENCIA: Al operar la unidad manténgase alejado de las varas tensadas. Las varas tensadas podrían ser ramas, troncos, raíces o vástagos que son doblados bajo tensión por otra madera (Fig. 12). Cuando la tensión de las varas se libera, éstas pueden moverse hacia el operador golpeando su cuerpo y provocándole graves lesiones. Tenga sumo cuidado al cortar las varas tensadas o liberar la causa de la tensión.

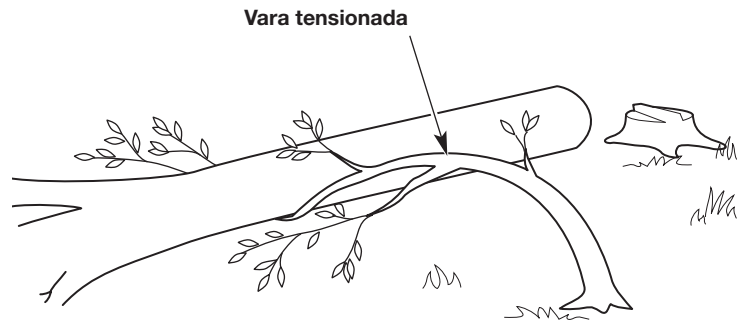


Fig. 12

DESRAMADO

El desramado (limbing) es el proceso de cortar las ramas de un árbol caído.

1. Deje para lo último las ramas grandes de apoyo debajo del árbol (Fig. 13). Éstas mantendrán al árbol alejado del suelo durante el proceso de desramado.
2. Corte de a una rama por vez. Párese en el lado del árbol opuesto a la rama (Fig. 13). Mantenga el tronco entre el operador y la sierra de cadena. Para evitar que la sierra sea apretada, las ramas bajo tensión se deben cortar de abajo hacia arriba.
3. Retire las ramas cortadas del área de trabajo.



Fig. 13

TRONZADO: SEGURIDAD

El tronzo (bucking) es el proceso de cortar un árbol talado en leños de longitudes deseadas. Siga las siguientes medidas de seguridad para reducir el riesgo de lesiones graves:

- Mantenga el área despejada de objetos u obstrucciones que podrían entrar en contacto con la barra guía y resultar en retroceso.
- Cuando efectúe el tronzo sobre una pendiente, párese siempre en el lado cuesta arriba del árbol derribado.
- De ser posible, el extremo del árbol a ser cortado debe estar elevado respecto del suelo. Un caballete es ideal para esta tarea. Si no hay disponible un caballete, utilice otros troncos o cualquier tocón que haya quedado. Compruebe que el árbol esté firmemente sostenido.
- No deje que la cadena de la sierra esté en contacto con el suelo o el caballete.
- Corte de a una rama por vez. Libere el control del acelerador y deje que la cadena de la sierra se detenga completamente antes de ocuparse del siguiente leño.
- Mantenga los pies y cualquier otra parte del cuerpo alejados de los troncos que caen.



PELIGRO: Tenga sumo cuidado cuando corte un árbol talado que todavía está unido a la raíz. Al separarlo de ellas, el tocón tiene gran potencial para balancearse hacia atrás y volver al agujero creado por las raíces. Esto puede causar lesiones graves o la muerte. Nunca se quede parado en el agujero que dejaron las raíces. Nunca deje que otros se paren cerca de la estructura de raíces.

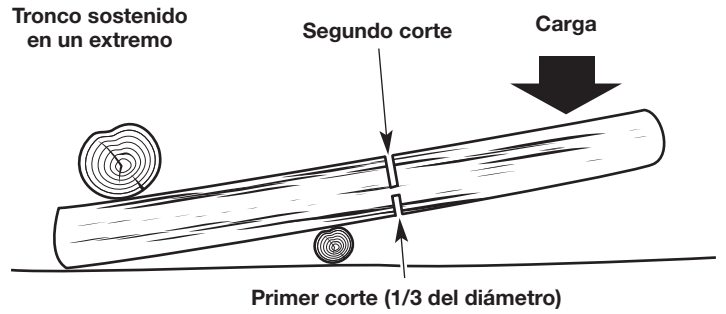


Fig. 14

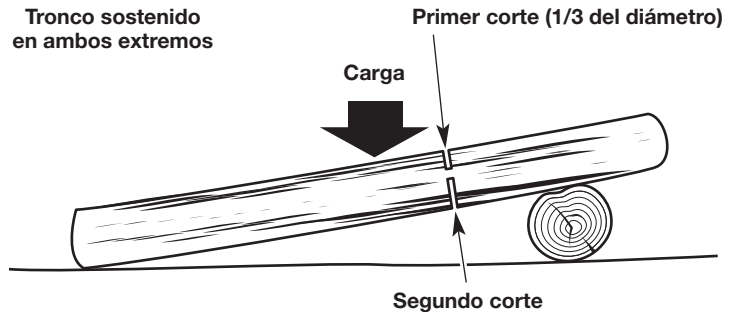


Fig. 15

TRONZADO: PROCEDIMIENTO

Corte de troncos bajo tensión

Cuando los troncos están sostenidos en uno o ambos extremos, la madera tiende a doblarse durante el proceso de corte. Esto puede causar que la cadena de la sierra quede atrapada entre los dos lados. Preste mucha atención.

1. Haga el primer corte a aproximadamente 1/3 del diámetro del tronco. No corte a más profundidad mayor de 1/3.
 - Si el tronco está sostenido en un extremo (Fig. 14), haga el primer corte desde el lado de abajo (tronzo desde abajo). Consulte *Tronzo desde abajo*.
 - Si el tronco está sostenido en dos extremos (Fig. 15), haga el primer corte desde el lado de arriba (tronzo desde arriba). Consulte *Tronzo desde arriba*.
2. Haga el segundo corte desde el lado opuesto hasta que los dos cortes se unan. Si el diámetro de la madera es suficientemente grande, inserte cuñas blandas de plástico o madera para mantener el corte abierto y evitar compresión (Fig. 18). Tenga cuidado de no tocar las cuñas con la cadena de la sierra.

Corte de troncos completamente sostenidos

Cuando los troncos están sostenidos en toda su longitud, se debe tener cuidado adicional para que la cadena de la sierra no entre en contacto con el suelo u otra estructura de apoyo (Fig. 16).

1. Atraviese el tronco tanto como sea posible sin cortar el suelo o la estructura de apoyo. Haga el corte desde arriba (tronzo desde arriba). Consulte *Tronzo desde arriba*.
2. Haga rodar el tronco y termine de cortarlo desde arriba (tronzo desde arriba).

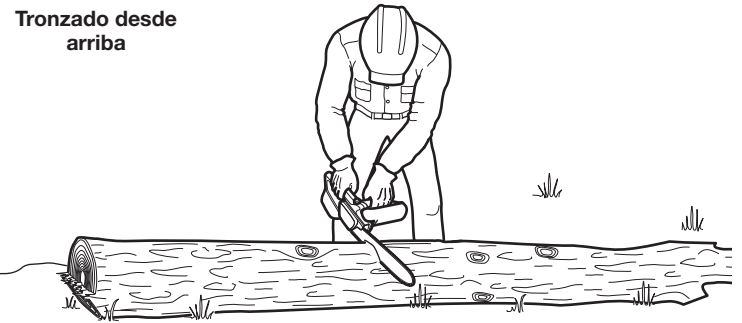


Fig. 16



Fig. 17

Tronzado desde arriba (overbucking)

1. Comience a cortar el tronco desde arriba, con la parte inferior de la cadena de la sierra contra la parte superior del tronco (Fig. 16).
2. ejerza una leve presión hacia abajo. La sierra tenderá a apartarse del operador. Esté preparado y sostenga la sierra firmemente para mantener el control.

Tronzado desde abajo (underbucking)

1. Comience a cortar el tronco desde abajo, con la parte superior de la cadena de la sierra contra la parte inferior del tronco (Fig. 17).
2. ejerza una leve presión hacia arriba. La sierra tenderá a moverse hacia el operador. Esté preparado y sostenga la sierra firmemente para mantener el control.



Fig. 18

PODA

	ADVERTENCIA: No corte por arriba de la altura del hombro. Utilice una sierra de pértiga para cortar ramas por encima de la altura del hombro o contrate a un profesional. No opere la unidad en un árbol o sobre una escalera a menos que esté específicamente entrenado para hacerlo.
	ADVERTENCIA: Las ramas que caen pueden causar lesiones graves. Utilice siempre protección adecuada para la cabeza. Planifique una senda de escape lejos de las ramas que caen. Al cortar no coloque ninguna parte del cuerpo debajo de la rama.

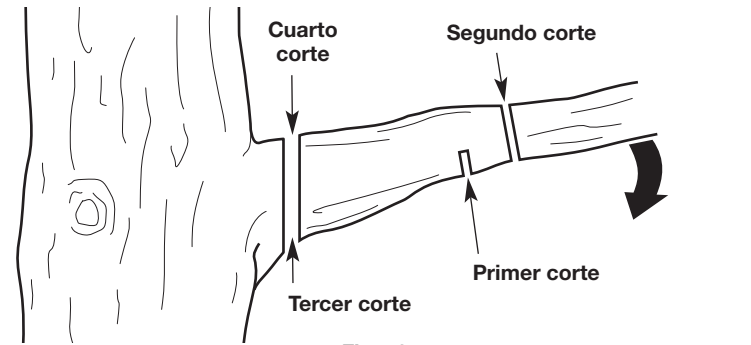


Fig. 19

La poda (pruning) es el proceso de cortar las ramas de un árbol vivo.

1. Realice el primer corte aproximadamente a 6 pulgadas (15 cm) del tronco del árbol. Corte hacia arriba, desde la parte de abajo de la rama. Use la parte superior de la barra de guía para hacer este corte. Corte hasta un tercio del diámetro de la rama (Fig. 19).
2. Haga el segundo corte de 2 a 4 pulgadas (5 - 10 cm) más afuera en la rama. Corte hacia abajo, desde la parte de arriba de la rama. Use la parte inferior de la barra de guía para hacer este corte. Corte atravesando totalmente la rama (Fig. 19).
3. Haga el tercer corte lo más cerca posible del tronco del árbol. Corte hacia arriba, desde la parte de abajo del muñón de la rama. Use la parte superior de la barra de guía para hacer este corte. Corte hasta un tercio del diámetro de la rama (Fig. 19).
4. Realice el cuarto corte directamente encima del tercero. Corte hacia abajo, desde la parte de arriba del muñón de la rama. Use la parte inferior de la barra de guía para hacer este corte. Corte atravesando totalmente el muñón de la rama hasta alcanzar el tercer corte (Fig. 19). Así se retira el muñón de rama.



ADVERTENCIA: Para evitar lesiones graves, nunca realice el mantenimiento ni las reparaciones con la unidad en funcionamiento. Desconecte siempre la unidad del tomacorriente para evitar que arranque accidentalmente. Siempre deje que se enfríe la unidad antes de hacer el mantenimiento o las reparaciones de la unidad.

PROGRAMA DE MANTENIMIENTO

Realice estos procedimientos de mantenimiento requeridos con la frecuencia establecida en la tabla. Estos procedimientos también deben realizarse como parte de la afinación estacional.

Todas las tareas de reparación, con excepción de los procedimientos de mantenimiento que se describen en este manual, deben ser realizados por un distribuidor de servicio autorizado.



NOTA: Algunos procedimientos de mantenimiento pueden requerir herramientas o habilidades especiales. Si no está seguro acerca de estos procedimientos, lleve la unidad a un distribuidor de servicio autorizado de MTD.

RESPONSABILIDAD DEL CLIENTE

FRECUENCIA	MANTENIMIENTO REQUERIDA
Antes de cada uso	<ul style="list-style-type: none"> • Verifique si hay tornillos, tuercas o pernos flojos (ajústelos según sea necesario). • Verifique si hay piezas dañadas o gastadas* • Verifique el filo de la cadena de la sierra. Consulte <i>Afilado de la cadena de la sierra</i>. • Verifique la tensión de la cadena (ajuste según sea necesario). Consulte <i>Ajuste de tensión de la cadena</i>. • Llene el depósito de aceite de la cadena (recargue con frecuencia). Consulte <i>Agregado de aceite de la cadena y barra</i>.
Luego de cada uso	<ul style="list-style-type: none"> • Limpie la unidad e inspeccione las calcomanías. Consulte <i>Limpieza</i> en la sección <i>Limpieza y almacenamiento</i>.
Cada 10 horas	<ul style="list-style-type: none"> • Limpie los conductos de aceite y surcos de la barra guía.

* Si se requiere mantenimiento o reemplazo, haga que un distribuidor de servicio autorizado de MTD realice el mantenimiento.

AGREGADO DE ACEITE DE LA CADENA Y BARRA

	PELIGRO: Si no se llena el depósito de aceite de la cadena se ocasionará daño irreparable a la unidad. Asegúrese de que el depósito de aceite de la cadena está siempre lleno. Use siempre aceite para barra y cadena.
	ADVERTENCIA: El aceite fluye constantemente del depósito de la cadena para aceitar la cadena de la sierra. Verifique el nivel de aceite de la cadena con frecuencia para evitar que caiga por debajo de medio lleno.

La barra guía y la cadena de la sierra requieren lubricación para minimizar la fricción. Nunca deje que a la cadena y la barra guía les falte aceite lubricante. Si se hace funcionar la unidad sin suficiente aceite disminuirá la eficiencia del corte, se acortará la vida útil de la cadena, habrá un rápido desafilado de la cadena y un excesivo desgaste de la barra guía por sobrecalentamiento. La cantidad insuficiente de aceite lubricante se nota por la existencia de humo, la decoloración de la barra o la acumulación de resina.

Utilice únicamente aceite de cadena y barra formulado para el uso en un amplio rango de temperaturas sin necesidad de diluirlo en el depósito de aceite. No utilice lubricante de motores o cualquier otro aceite proveniente del petróleo. No utilice aceite sucio, usado o contaminado. Esto puede dañar la barra guía o la cadena de la sierra. Deseche el aceite viejo de acuerdo con las normativas federales, estatales y locales.



Control del nivel de aceite de la cadena

1. **Coloque la unidad sobre una superficie plana y nivelada.**
2. Observe el interior del visor del nivel de aceite de la cadena; use una linterna si es necesario. El nivel de aceite debe llenar el visor por lo menos hasta la mitad (Fig. 20). Si el nivel de aceite es demasiado bajo, agregue aceite para la barra y la cadena. Consulte *Llenado del depósito de aceite de la cadena*.

Llenado del depósito de aceite de la cadena

1. **Coloque la unidad sobre una superficie plana y nivelada.**
2. Para evitar que ingresen desechos en el depósito de aceite, utilice un paño húmedo para limpiar la tapa del depósito y el área circundante.
3. Desenrosque la tapa del depósito de aceite (Fig. 21).
4. Vierta el aceite dentro del depósito con cuidado. **NO** llene el depósito en exceso.
5. Vuelva a colocar la tapa del depósito de aceite. Ajuste firmemente la tapa.
6. Limpie el aceite que se pueda haber derramado.

AJUSTE DE LA TENSION DE LA CADENA

	PRECAUCIÓN: Si la cadena de la sierra no está correctamente tensionada, la barra de guía, la cadena y los cojinetes se gastarán más rápidamente. Mantener la tensión adecuada de la cadena de la sierra mejora el rendimiento del corte y prolonga la vida útil de la cadena.
	ADVERTENCIA: Para evitar lesiones graves, nunca toque la cadena de la sierra ni ajuste su tensión mientras la unidad está funcionando. Desconecte la unidad del tomacorriente para evitar que arranque accidentalmente.

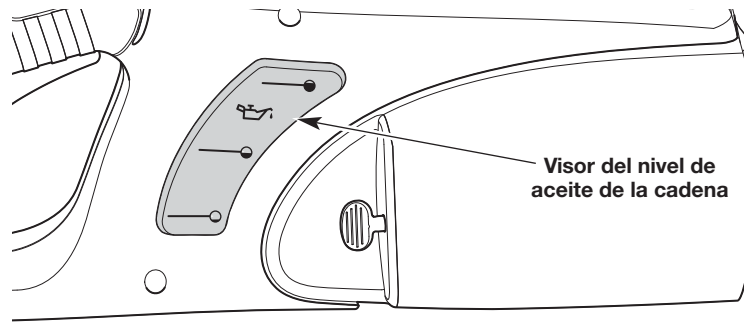


Fig. 20

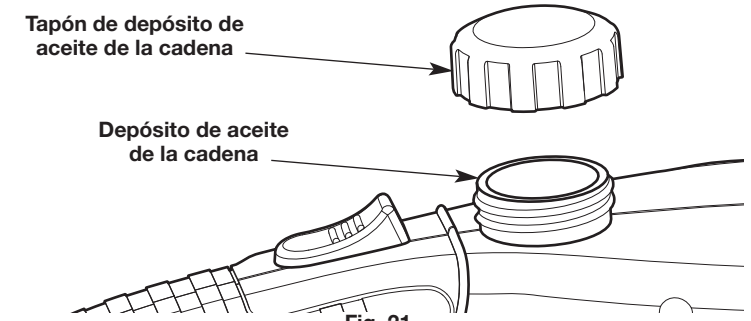


Fig. 21

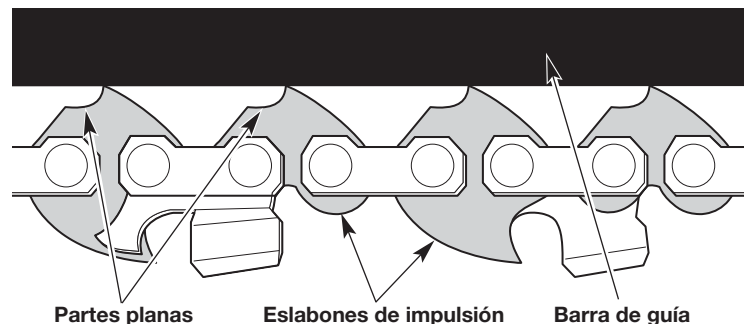


Fig. 22



ADVERTENCIA: La cadena de la sierra es muy filosa. Cuando manipule o efectúe el mantenimiento de la cadena de la sierra, use siempre guantes de protección reforzados.

Controle la tensión de la cadena antes y durante la operación. Ajuste la tensión de la cadena siempre que las partes planas de la cadena de la sierra sobresalgan del surco de la barra (Fig. 22).

NOTA: Una cadena de sierra nueva tiende a estirarse y necesitará un reajuste luego de unos cinco (5) cortes. Esto es normal durante el período de ablande. El intervalo entre los ajustes futuros se alargará rápidamente.

1. Use una llave 1/2 pulgadas (13 mm) para aflojar ligeramente las tuercas de retención de la barra (Fig. 23). **NO** extraiga las tuercas de retención de la barra.
2. Sostenga la punta de la barra de guía hacia arriba y gire la perilla de tensión de la cadena (Fig. 24).
 - Gire la perilla de tensión de la cadena en el sentido de las agujas del reloj para tensar la cadena de la sierra.
 - Gire la perilla de tensión de la cadena en el sentido contrario a las agujas del reloj para aflojar la cadena de la sierra.

La tensión de cadena deseada depende de la temperatura de la cadena de la sierra (Fig. 25).

- Tensado de cadena fría - La cadena de la sierra deberá encajar justo contra la parte inferior de la barra guía. No debe haber ninguna flojedad (Fig. 25).
 - Tensado de cadena caliente - La sierra se expandirá a medida que se calienta durante la operación. Los eslabones de impulsión deben colgar aproximadamente 1/16 pulgadas (1,3 mm) fuera del surco de la barra guía (Fig. 25).
3. Mantenga arriba la punta de la barra guía y mueva la cadena de la sierra hacia atrás y hacia adelante a lo largo de la barra guía (Fig. 26). Compruebe que la cadena de la sierra se mueve libremente y está en el engrane apropiado con la rueda dentada. Si la cadena de la sierra no se mueve con facilidad, gire lentamente la perilla de tensión de la cadena en el sentido contrario a las agujas del reloj para aflojar la cadena de la sierra.
 4. Sostenga la punta de la barra de guía hacia arriba y ajuste bien las tuercas de retención de la barra.



PRECAUCIÓN: Si la cadena de la sierra fue tensada mientras estaba caliente, puede tensarse demasiado al enfriarse. Afloje la tensión de la cadena luego de la operación y compruebe su tensión antes del siguiente uso.

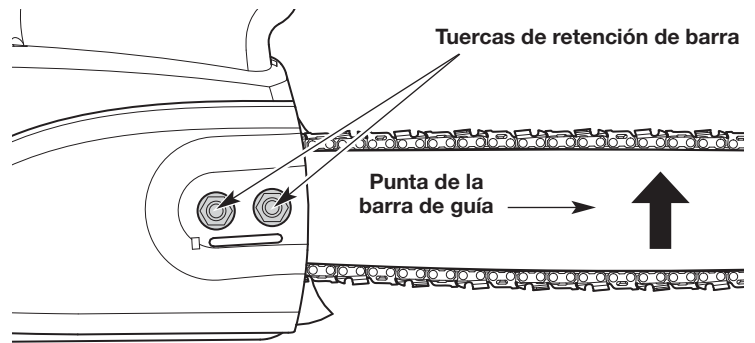


Fig. 23

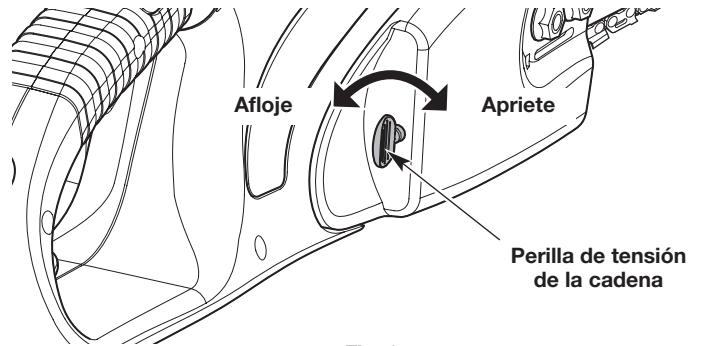


Fig. 24

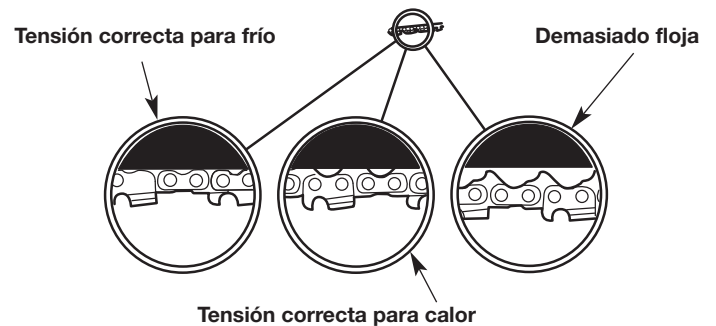


Fig. 25

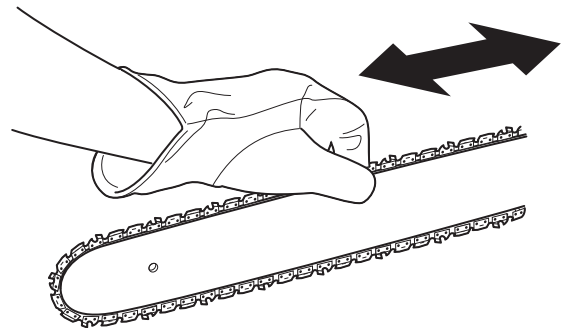


Fig. 26

RETIRO E INSTALACIÓN DE LA BARRA GUÍA Y LA CADENA DE LA SIERRA



ADVERTENCIA: La cadena de la sierra es muy filosa. Cuando manipule o efectúe el mantenimiento de la cadena de la sierra, use siempre guantes de protección reforzados.

Es necesario retirar la barra guía y la cadena de la sierra cuando se efectúan los procedimientos de mantenimiento, por ejemplo, cuando se gira la barra guía. Al reemplazar las viejas barras de guía y cadenas de la sierra por otras nuevas, utilice siempre los repuestos especificados por el fabricante. Consulte *Reemplazo de la barra guía y la cadena de la sierra*.

Retiro de la barra guía y la cadena de la sierra

1. Utilice una llave de 1/2 pulgada (13 mm) para extraer las tuercas de retención de la barra (Fig. 27).
2. Extraiga la cubierta de la barra (Fig. 27).
3. Afloje la cadena de la sierra. Consulte *Ajuste de tensión de la cadena*.
4. Retire la cadena de la sierra de la barra guía.
5. Use con precaución un destornillador pequeño de cabeza plana para extraer el anillo E de la rueda dentada de impulsión (Fig. 28).
6. Extraiga de la rueda dentada de impulsión el soporte de la rueda dentada (Fig. 28).
7. Retire la barra de guía de los pernos de la barra de guía (Fig. 28).

Instalación de la barra guía y la cadena de la sierra

1. Se debe alinear la ranura de la barra de guía con los pernos de la barra de guía (Fig. 28). Deslice la barra de guía completamente sobre los pernos de la barra de guía (Fig. 28). Compruebe que la barra guía esté al ras contra la superficie de montaje.
2. Ubique el soporte de la rueda dentada en la rueda dentada de impulsión (Fig. 28).
3. Instale con precaución el anillo E en la rueda dentada de impulsión (Fig. 28).
4. Coloque la cadena de la sierra sobre una superficie plana y limpie y enderece cualquier deformación.
5. Enganche la cadena de la sierra alrededor de la rueda dentada de impulsión e instale la cadena de la sierra en el surco de la barra guía (Fig. 29). Compruebe que las partes planas sobre la cadena de la sierra estén en los surcos de la rueda dentada de impulsión. Compruebe que los cortadores estén en la dirección correcta de rotación (Fig. 29).
6. Ubique la cubierta de la barra sobre el alojamiento de la sierra (Fig. 27). Inserte la lengüeta de la cubierta de la barra dentro de la ranura del alojamiento de la sierra (Fig. 27). Los pernos de la barra guía deben sobresalir de los orificios de la cubierta de la barra.
7. Compruebe que el pasador de tensado de cadena esté en el orificio del pasador en la barra de guía (Fig. 30). Si es necesario, gire la perilla de tensión de la cadena para mover el pasador de tensión de la cadena (Fig. 24).
 - Gire la perilla de tensión de la cadena en el sentido de las agujas del reloj para mover el pasador de tensión de la cadena hacia el frente de la unidad.
 - Gire la perilla de tensión de la cadena en el sentido contrario a las agujas del reloj para mover el pasador de tensión de la cadena hacia la parte trasera de la unidad.
8. Ubique las tuercas de retención de la barra en los pernos de la barra guía. Ajuste manualmente las tuercas de retención de la barra. **NO** ajuste completamente las tuercas de retención de la barra.
9. Compruebe que la cadena de la sierra todavía esté en el surco de la barra guía, luego ajuste la cadena de la sierra. Consulte *Ajuste de tensión de la cadena*.
10. Sostenga la punta de la barra de guía hacia arriba y ajuste bien las tuercas de retención de la barra.

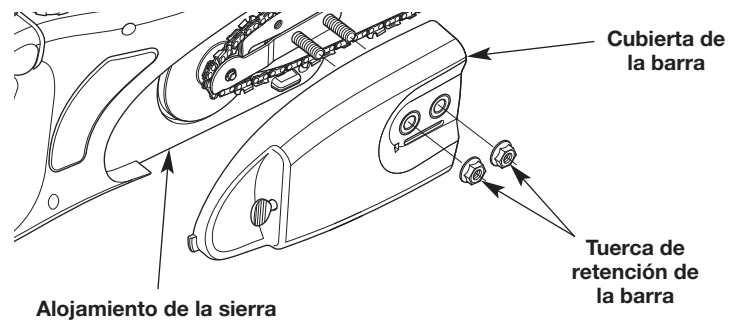


Fig. 27

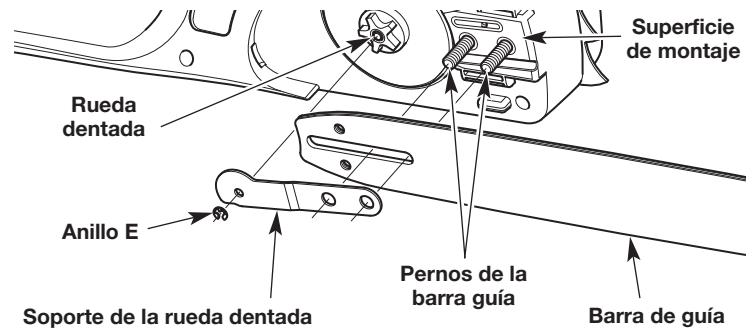


Fig. 28

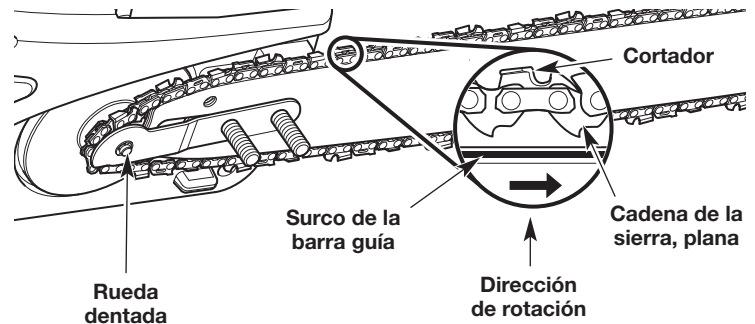


Fig. 29

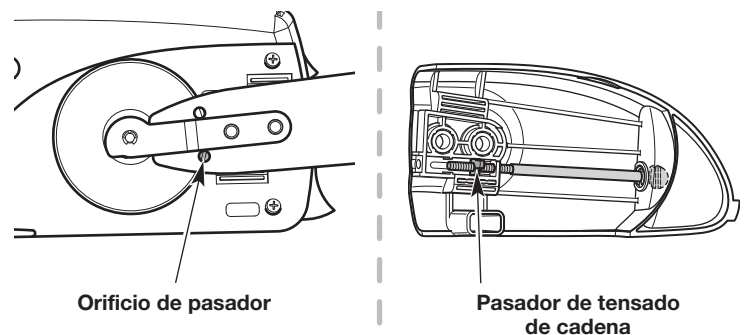


Fig. 30

MANTENIMIENTO DE LA CADENA DE LA SIERRA

Para una operación eficiente y segura, la sierra debe tener un mantenimiento adecuado.

La cadena se desgastará con el uso haciendo que se estire. Esto es normal. Cuando ya no es posible obtener el ajuste de tensión de cadena adecuado, se deberá hacer reparar la cadena de la sierra o reemplazarla por un distribuidor de servicio autorizado. Consulte *Reemplazo de la barra guía y la cadena de la sierra*.

Siempre mantenga la cadena de la sierra afilada. Durante la operación, fíjese si existen los siguientes indicadores de una cadena de sierra desafilada:

- Las astillas de madera son pequeñas y pulverulentas.
- La cadena de la sierra debe ser forzada a través de la madera.
- La cadena corta hacia un lado.

Si existe cualquiera de estas condiciones, afile o reemplace la cadena de la sierra. Consulte *Afilado de la cadena de la sierra* o *Reemplazo de la barra guía y la cadena de la sierra*.

NOTA: Si no comprende bien el procedimiento de afilado luego de leer las instrucciones, haga que la cadena sea afilada por un distribuidor autorizado o reemplácela.

AFILADO DE LA CADENA DE LA SIERRA



ADVERTENCIA: La cadena de la sierra es muy filosa. Cuando manipule o efectúe el mantenimiento en la cadena de la sierra, use siempre guantes de protección reforzados.



ADVERTENCIA: Si la cadena de la sierra tiene un afilado inadecuado aumenta la posibilidad de tensión de retroceso. Si no se reemplaza o se mantiene adecuadamente la cadena de la sierra podrían producirse lesiones graves.



PRECAUCIÓN: Si la cadena de la sierra tiene un afilado inadecuado o deficiente puede haber una velocidad excesiva del motor durante la operación, lo que puede causar daños serios al motor.

Si la cadena de la sierra se dañó por contacto con objetos duros, como ser clavos o piedras, o se desgastó por la presencia de barro o arena sobre la madera, haga que un distribuidor autorizado afile la cadena.

Al afilar la cadena de la sierra, lime todos los cortadores a los ángulos y medidas especificadas. Otros ángulos o medidas pueden causar un desgaste excesivo en la barra guía y la cadena de la sierra, el desafilado rápido de la cadena y aumentar la posibilidad de retroceso. El corte rápido se obtiene sólo cuando todos los cortadores son uniformes.

1. Ajuste la tensión de la cadena de manera que la cadena de la sierra esté tensa y no se afloje. Consulte *Ajuste de tensión de la cadena*.
 - Lime siempre la cadena de la sierra en el medio de la barra guía.
2. Utilice una lima redonda y con soporte (herramientas no incluidas) para afilar la placa superior y la placa lateral de cada cortador.
 - Utilice una lima de 5/32 pulgadas (4 mm) de diámetro.
 - Mantenga la lima a nivel con la placa superior del cortador (Fig. 31). No deje que la lima baje o se balancee. Aplique una presión leve pero firme.
 - Lime hacia el ángulo delantero del cortador (Fig. 32). Levante la lima del cortador en el extremo del recorrido hacia adelante. Lime únicamente en el recorrido hacia adelante.
 - Aplique algunos golpes firmes en cada diente. Cuando se lima correctamente, la placa superior estará en un ángulo de 30° y la placa lateral estará en un ángulo de 80° (Fig. 33). La utilización de la lima y el soporte de lima correctos producirá automáticamente los ángulos correctos.

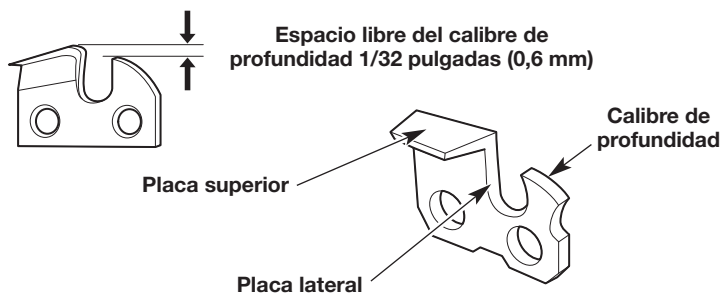


Fig. 31

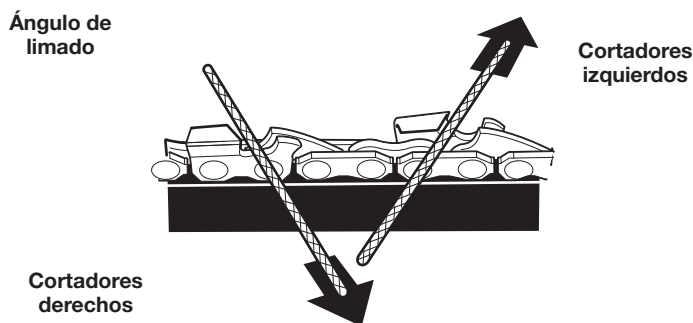


Fig. 32

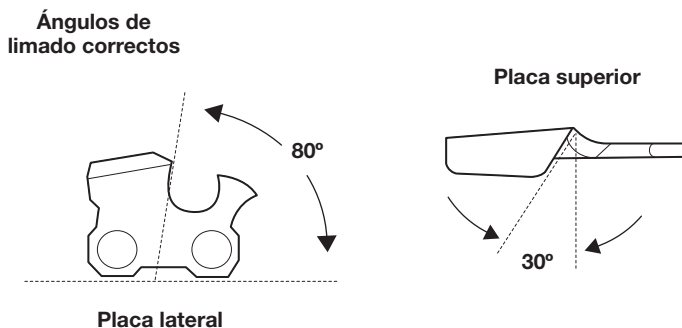


Fig. 33

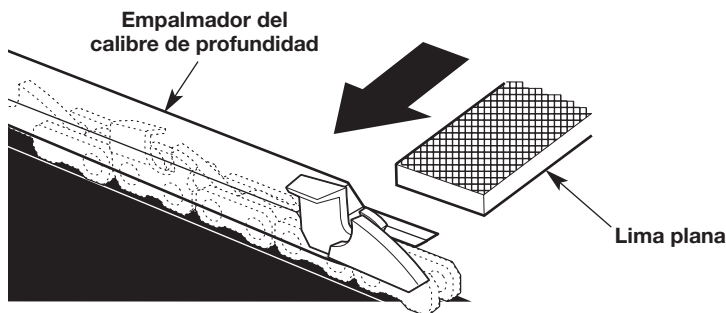


Fig. 34

- Lime todos los cortadores izquierdos en una dirección (Fig. 32). Después lleve la lima al otro lado de la cadena y lime todos los cortadores del lado derecho en la dirección opuesta (Fig. 32).
 - Cada tanto limpie las limaduras con un cepillo de alambre.
3. Utilice un calibre de profundidad (no incluido) para medir el espacio libre del calibre de profundidad (Fig. 34) de cada cortador. El espacio libre del calibre de profundidad debe mantenerse a 1/32 pulgada (0,6 mm). El espacio libre del calibre de profundidad determina la profundidad a la cual el cortador ingresa en la madera durante la operación y el tamaño de las astillas de madera producidas. Demasiado espacio libre incrementa la probabilidad de retroceso. Demasiado poco espacio libre disminuye el tamaño de las astillas de madera, disminuyendo así la capacidad de corte.
- Utilice un empalmador de calibres de profundidad de 0.025 pulgada (0.635 mm) y una lima plana (herramientas no incluidas) para bajar el calibre de profundidad hasta el espacio libre correcto (Fig. 34).
 - Después de bajar el calibre de profundidad, utilice la lima plana para devolverle al calibre de profundidad la forma redondeada original (Fig. 35). Tenga cuidado de no dañar los bordes de corte y los eslabones cercanos.

Devuelva la forma redondeada original

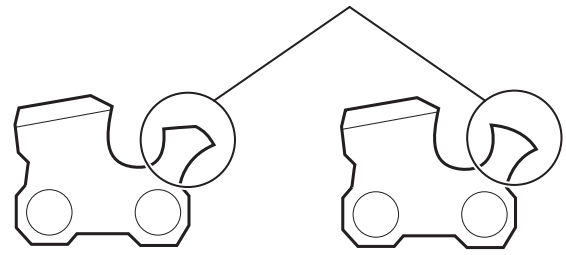


Fig. 35

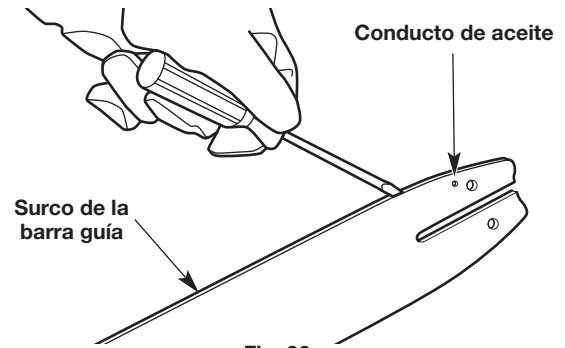


Fig. 36

MANTENIMIENTO DE LA BARRA DE GUÍA

1. Gire frecuentemente la barra de guía, a intervalos periódicos (por ej. después de 5 horas de funcionamiento), para garantizar desgaste parejo en la parte superior e inferior de la barra de guía. Consulte *Retiro e instalación de la barra guía y la cadena de la sierra*.
2. Limpie la canaleta de la barra de guía y los pasos de aceite siempre que se extraiga la cadena, cuando la unidad se ha usado mucho o cuando la cadena de la sierra parece estar sucia. Use un destornillador, una espátula, un cepillo de alambre o similar para retirar los residuos de la canaleta de la barra de guía (Fig. 36). Utilice un alambre liso y pequeño para eliminar cualquier desecho del orificio de descarga de aceite de la cadena (Fig. 37).

NOTA: Si los conductos de aceite están despejados, la cadena de la sierra liberará un spray oleoso poco después de comenzar a girar durante la operación.

3. Controle frecuentemente si hay daño en la barra de guía (Fig. 38). El biselado y desbarbado de los carriles de la barra de guía (los rebordes a ambos lados de la canaleta de la barra) es un proceso normal del desgaste de la barra. Estas fallas deben corregirse con una lima tan pronto ocurren (Fig. 38). Una barra de guía con las fallas siguientes debe ser reemplazada:

- Desgaste en el interior de los carriles de la barra de guía que permite que la cadena se vuelque
- Barra de guía doblada
- Carriles rotos o agrietados
- Carriles ensanchados

Consulte *Reemplazo de la barra guía y la cadena de la sierra*.

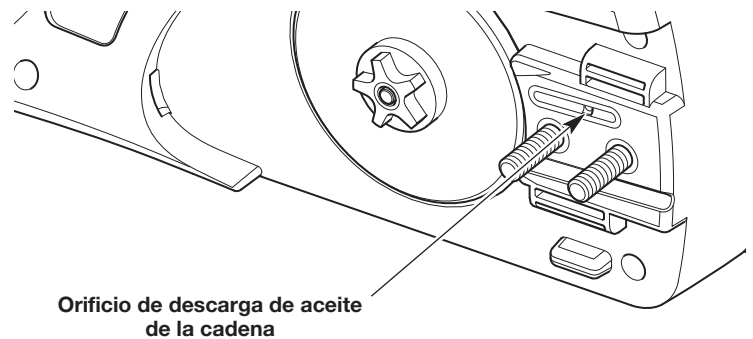


Fig. 37

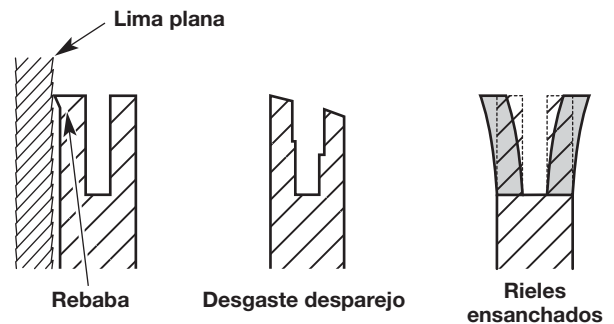


Fig. 38

REEMPLAZO DE LA BARRA GUÍA Y LA CADENA DE LA SIERRA



ADVERTENCIA: Utilice siempre una cadena de sierra de baja tensión de retroceso que reduce significativamente el peligro de retroceso. La cadena de sierra con bajo rebote no elimina completamente el rebote. La cadena de bajo rebote o “de seguridad” no debe considerarse nunca como protección total contra lesiones.

Al reemplazar la barra guía y la cadena de la sierra, utilice únicamente los repuestos especificados por el fabricante o sus equivalentes.

Consulte Reemplazo de piezas. Si se usa cualquier otra pieza o accesorio no autorizado, el usuario podría sufrir lesiones graves o se podría dañar la unidad lo que ANULARÁ la garantía.

Use siempre un repuesto de cadena de sierra designado como “de bajo rebote” o una cadena de sierra que cumple con las exigencias de desempeño de bajo rebote. Una cadena de sierra estándar (una cadena que no tiene los protectores reductores de rebote) sólo debería ser usada por un operador de motosierras profesional y experimentado.

LIMPIEZA



ADVERTENCIA: Para evitar lesiones graves, nunca limpie la unidad mientras está en funcionamiento. Desconecte siempre la unidad del tomacorriente para evitar que arranque accidentalmente. Siempre deje que la unidad se enfríe antes de limpiarla.



ADVERTENCIA: A fin de evitar lesiones graves, no rocíe la unidad con agua. No sumerja la unidad en agua ni en ningún otro líquido. No utilice detergentes fuertes. Los productos de limpieza para el hogar que contienen aceites aromáticos como pino y limón, y los disolventes como el queroseno, pueden dañar el plástico.

1. Afloje la cadena de la sierra si se graduó la tensión de la cadena durante la operación. La cadena se contraerá a medida que se enfríe la unidad, lo cual puede dañar la unidad si la cadena está demasiado ajustada.
2. Limpie la unidad con un paño húmedo.

NOTA: Al preparar la unidad para su almacenamiento prolongado (30 días o más), retire la barra guía y la cadena de la sierra. Limpie con cuidado la cubierta de la barra guía, la superficie de montaje de la barra y la rueda dentada. Para limpiar el surco de la barra guía utilice un cepillo firme que no sea de alambre. Vuelva a realizar el montaje de la unidad.

3. Seque la humedad con un paño suave.
4. Cubra la barra de guía y la cadena de la sierra con un poco de aceite anticorrosivo.

ALMACENAMIENTO

- Afloje la cadena de la sierra si se graduó la tensión de la cadena durante la operación. La cadena se contraerá a medida que se enfríe la unidad, lo cual puede dañar la unidad si la cadena está demasiado ajustada.
- Deje que la unidad se enfríe.
- Limpie bien la unidad y compruebe que no haya piezas sueltas o dañadas. Repare o reemplace las piezas dañadas y apriete los tornillos, tuercas o pernos flojos.
- Cubra la barra de guía y la cadena de la sierra con la funda.
- Guarde la unidad bajo llave para evitar su uso no autorizado o daño.
- Guarde la unidad en un lugar seco y bien ventilado.
- Guarde la unidad fuera del alcance de los niños.

NOTA: Es normal que el aceite de cadena y de barra se filtre de la unidad cuando no está en uso. Por favor tenga esto en cuenta cuando guarda la unidad.

LOCALIZACIÓN Y SOLUCIÓN DE PROBLEMAS

PROBLEMA	SOLUCIÓN
EL MOTOR NO ARRANCA	
El prolongador no está firmemente conectado a la unidad o la fuente de alimentación	Compruebe que cada enchufe esté bien conectado
Se activó el interruptor del circuito de fallos de conexión a tierra (ICFCT) del tomacorriente (si se usa)	Reponga el ICFCT
Se activó el disyuntor	Reponga el disyuntor en el tablero eléctrico local
No se oprimió el bloqueo del acelerador	Oprima y mantenga apretado el bloqueo del acelerador antes de apretar el control del acelerador
La unidad se dañó	Vea información sobre <i>Servicio</i>
AL MOTOR LE FALTA POTENCIA O SE PARA	
El calibre del conductor del prolongador no es el adecuado	Utilice un prolongador con el calibre de conductor necesario. Consulte la tabla de calibres de conductor en la sección <i>Seguridad</i> .
LA CADENA DE LA SIERRA SE SALE DE LA BARRA DE GUÍA	
La cadena de la sierra está demasiado floja	Ajuste la tensión de la cadena de la sierra
La barra de guía y la cadena de la sierra han sido ensambladas incorrectamente	Consulte <i>Retiro e instalación de la barra guía y la cadena de la sierra</i>
LA BARRA DE GUÍA Y LA CADENA DE LA SIERRA SE ESTÁN RECALENTANDO, ESTÁN HUMEANDO O ESTÁN ATASCADAS	
La cadena de la sierra tiene demasiada tensión	Ajuste la tensión de la cadena de la sierra
El depósito de aceite de la cadena está vacío	Vuelva a llenar el depósito de aceite de la cadena
El surco de la barra guía y los conductos de aceite están sucios	Limpie la barra guía y los conductos de aceite
LA CADENA DE LA SIERRA NO GIRA	
La cadena de la sierra tiene demasiada tensión	Ajuste la tensión de la cadena de la sierra
La barra de guía y la cadena de la sierra han sido ensambladas incorrectamente	Consulte <i>Retiro e instalación de la barra guía y la cadena de la sierra</i>
La barra de guía y la cadena de la sierra están dañadas	Inspeccione la barra de guía y la cadena de la sierra para verificar que no estén dañadas. Reemplácelas en caso de ser necesario
El montaje del mecanismo de transmisión está dañado	Vea información sobre <i>Servicio</i>
LA CADENA DE LA SIERRA GIRA PERO NO CORTA	
La cadena de la sierra está desafilada	Afile o reemplace la cadena de la sierra
La cadena de la sierra está hacia atrás	Verifique y corrija la dirección de la cadena de la sierra

Si necesita asistencia adicional, comuníquese con un distribuidor de servicio autorizado.

GARANTÍA LIMITADA DEL FABRICANTE PARA:

REMINGTON®

Remington LLC concede la garantía limitada establecida debajo para mercancías nuevas que sean compradas y usadas en los Estados Unidos, sus posesiones y territorios.

Remington LLC garantiza este producto contra defectos en el material y la mano de obra durante un período de dos (2) años, a partir de la fecha de compra original y a su entera discreción, arreglará o substituirá sin costo alguno cualquier pieza cuyo material o mano de obra se considere defectuoso. Esta garantía limitada se deberá aplicar únicamente si este producto ha sido manejado y mantenido de acuerdo al Manual del Operario incluido con el producto y, si no ha sido sometido a mal uso, abuso, uso comercial, negligencia, accidente, mantenimiento inapropiado, alteración, vandalismo, hurto, fuego, agua o daños debidos a otros riesgos o desastre natural. Los daños ocasionados por la instalación o el uso de cualquier accesorio o aditamento que no esté aprobado por Remington y que sea usado con el (los) producto(s) contemplados en este manual, anularán la garantía con respecto a cualquier daño resultante.

CÓMO OBTENER SERVICIO: El servicio de garantía está disponible A TRAVÉS DE SU DISTRIBUIDOR DE SERVICIO LOCAL AUTORIZADO, AL PRESENTAR EL COMPROBANTE DE COMPRA. Para localizar al distribuidor en su área, visite nuestro sitio en Internet en www.remingtonpowertools.com, busque el aviso clasificado en las Páginas Amarillas, llame al **1-866-206-2707** en EE.UU. o al **1-877-696-5533** en Canada, o escriba a Remington LLC, PO Box 361032, Cleveland, OH 44136. No se aceptará ningún producto que sea enviado directamente a la fábrica, a menos que haya recibido autorización previa por escrito por parte del Departamento de Servicio al Consumidor de Remington.

Esta garantía limitada no ofrece cobertura en los siguientes casos:

- A. Sincronizaciones - bujías, ajustes de carburadores, filtros.
- B. Artículos de desgaste – Perillas de impacto, bobinas exteriores, hilo de corte, carretes interiores, polea de arranque, cuerdas de arranque, correas de transmisión, motosierras, barras de guía, dientes de la cultivadora, cuchillas.
- C. Remington no le ofrece ninguna garantía a los productos que sean vendidos o exportados fuera de los Estados Unidos de América, sus posesiones y territorios, excepto aquellos que se vendan a través de los canales de distribución para exportación autorizados por Remington.

Remington se reserva el derecho a cambiar o mejorar el diseño de cualquier producto Remington, sin adoptar ninguna obligación para modificar cualquier producto fabricado con anterioridad.

Ninguna garantía implícita es aplicable después del período de aplicabilidad de la garantía expresa escrita con anterioridad, incluyendo cualquier garantía implícita de comerciabilidad o idoneidad para un propósito particular con respecto a las piezas identificadas. Exceptuando lo mencionado anteriormente, ninguna otra garantía expresa bien sea escrita o verbal con respecto a cualquier producto que sea concedida por cualquier persona o entidad, incluyendo al distribuidor o minorista, deberá comprometer a Remington LLC durante el período de la Garantía, el remedio exclusivo es el arreglo o la sustitución del producto según lo establecido anteriormente. (Algunos estados no permiten limitaciones en cuanto al período de duración de una garantía implícita, de manera que puede que la limitación anterior no sea aplicable en su caso.)

Las estipulaciones establecidas en esta Garantía ofrecen la solución única y exclusiva que resulte de las ventas. Remington no deberá ser responsable de pérdidas o daños incidentales o consecuentes que incluyan, sin limitación, gastos incurridos debido a la sustitución de servicios de mantenimiento de prados, transporte o gastos relacionados, o gastos de alquiler para reemplazar temporalmente un producto bajo garantía. (Algunos estados no permiten limitaciones en cuanto al período de duración de una garantía implícita, de manera que puede que la limitación anterior no sea aplicable en su caso.)

Ningún tipo de recuperación deberá ser superior al precio de compra del producto vendido, en ningún caso. La alteración de las características de seguridad del producto deberá anular esta Garantía. Usted adopta el riesgo y la obligación de la pérdida, daño o lesión en su persona o a su propiedad y/o la de otras personas y sus propiedades, que se origine a raíz del uso o mal uso, o la incompetencia para usar el producto.

Esta garantía limitada no deberá cubrir a ninguna otra persona distinta al comprador original, arrendatario original, o la persona para la cual se compró en calidad de regalo.

Relación de las leyes estatales con esta Garantía: Esta garantía le confiere derechos legales específicos, y puede que usted también tenga otros derechos, los cuales varían en cada estado.

Para localizar al distribuidor de servicio local más cercano, marque el número **1-866-206-2707** en EE.UU. o al **1-877-696-5533** en Canada.

REMINGTON LLC

P.O. Box 361032
Cleveland, OH 44136